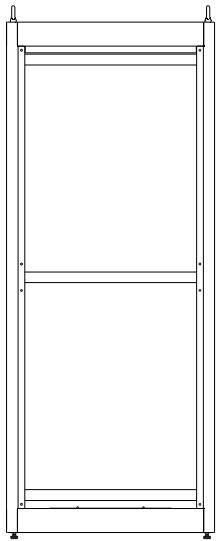
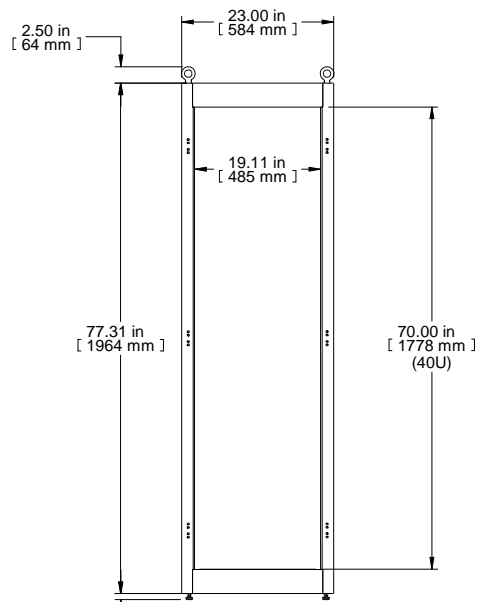


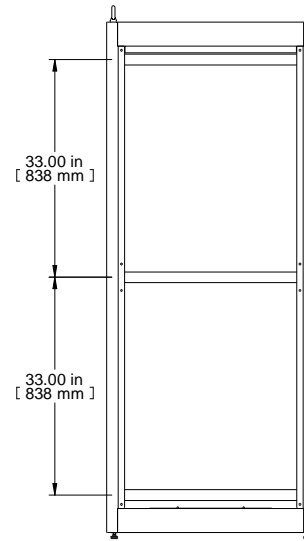
TOP VIEW



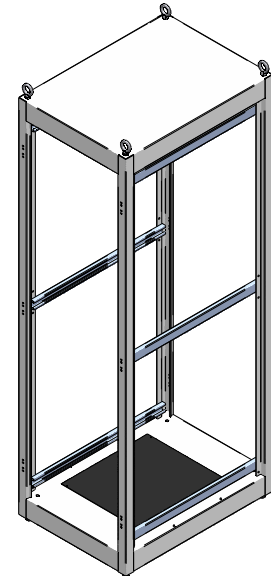
L.S. VIEW



FRONT VIEW

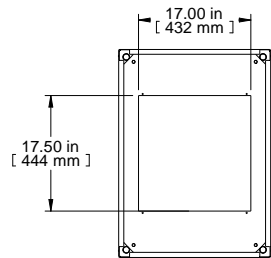


R.S. VIEW



ISOMETRIC

95 in [24 mm]



BOTTOM VIEW  
BOTTOM OPENING

**PART NUMBERS**  
C3F197031CG1 | PAINTED CONTEMPRA GRAY TEXTURED

**NOTES**

Welded Assembly.  
Bottom cover plate included.  
See Hammond Website for Frame Accessories.

**Français**  
Pour tous les détails sur nos produits, svp veuillez consulter notre site [www.hammondmfg.com](http://www.hammondmfg.com)

Data subject to change without notice. Isometric drawing not to scale.  
Les données sont sujettes à changement sans préavis.

**HAMMOND MANUFACTURING**  
[www.hammondmfg.com](http://www.hammondmfg.com)  
**PART NO. C3F197031**