



Delivering Trusted Technology for a Smarter World



Taoglas RF Connectors Adaptors and Receptacles Catalogue

Contents

1. Introduction	3
2. SMA Connectors & Adaptors	4
3. NMO Connectors	14
4. MCX Connectors	15
5. MMCX Connectors	15
6. FAKRA Connectors	18
7. 2.92mm Adaptors & Connectors	19
8. Receptacles	22

Taoglas makes no warranties based on the accuracy or completeness of the contents of this document and reserves the right to make changes to specifications and product descriptions at any time without notice. Taoglas reserves all rights to this document and the information contained herein. Reproduction, use or disclosure to third parties without express permission is strictly prohibited.

1. Introduction

Taoglas RF Connectors, Adaptors and Receptacles

Taoglas is a leading provider of advanced technology for a smarter world.

Our solutions include advanced components and technologies and help OEMs, enterprises, and communities to resolve the complexities of bringing digital transformation solutions to market quickly and cost effectively.

Focused on best-in-class, high-performance antenna and RF design with advanced positioning, imaging, audio and artificial intelligence technologies, Taoglas understands the importance of high-performance connections.

Taoglas connectors, adaptors and receptacles are designed to provide superior performance. They are thoroughly tested and come in all mounting types including PCB, panel, and cable, providing the most flexibility for your design and we make all our 3D and 2D drawings available to help you with integration. Our portfolio of products include SMA, FAKRA, MMCX and NMO cable mount connectors for a variety of cable types and for PCB mount requirements, we have SMA, MCX and MMCX connectors.

As 5G development continues, the diversity of applications such as high-speed communications, satellite communications, military and aerospace, alongside the ever-changing demands for higher-frequency test systems are driving coaxial cable assemblies and connectors to the next level. Our series of 2.92 connectors and adaptors, which are all cross-mateable to other industry standard connectors, support DC and up to 40GHz frequencies.

For more information or for configurations not listed here, we can provide solutions based on your requirements pending an MOQ, please contact your local customer services department to discuss further.



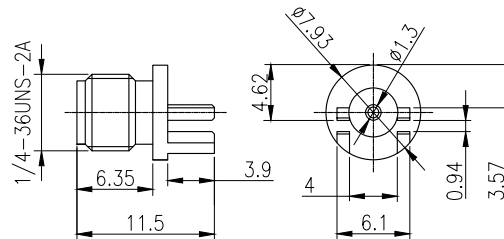
2. SMA Connectors & Adaptors

SMA Connectors - PCB Mount

SMA(F)ST for Circular PCB Edge Mount Gold Plating 0.94mm board

Part Number

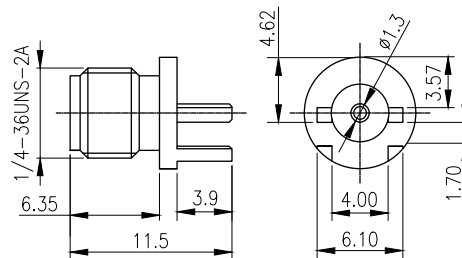
EMPCB.CSMAFST.A.AU	VSWR	Frequency	Impedance
	≤ 2	0 - 18GHz	50 Ω



SMA(F)ST for Circular PCB Edge Mount Gold Plating

Part Number

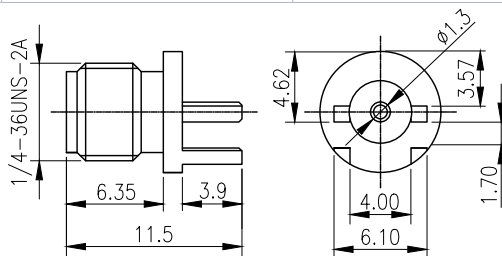
EMPCB.CSMAFSTJ.A	VSWR	Frequency	Impedance
	≤ 2	0 - 18GHz	50 Ω



SMA(F)ST for PCB Edge Mount Nickel Plating

Part Number

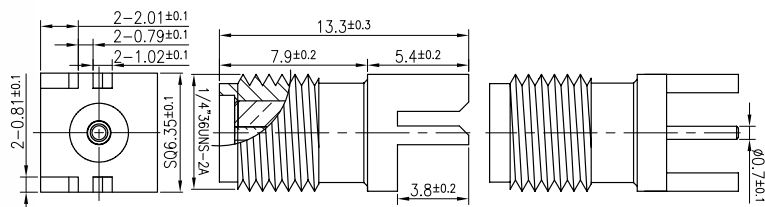
EMPCB.CSMAFSTJ.NI	VSWR	Frequency	Impedance
	≤ 2	0 - 18GHz	50 Ω



SMA(F)ST for PCB Edge Mount Nickel Plating Connector Solder Attachment

Part Number

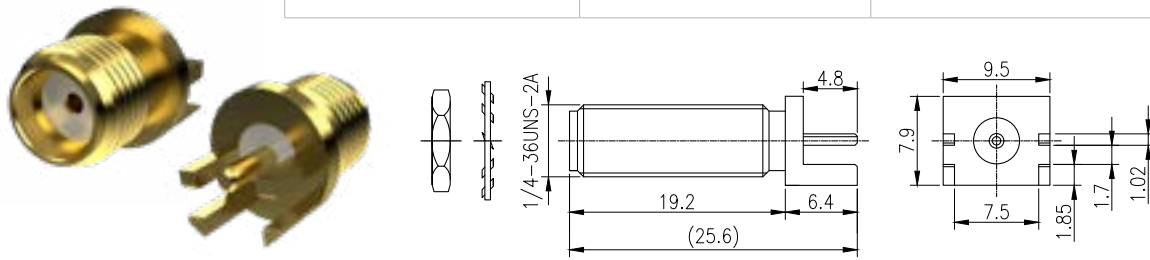
EMPCB.SMAFSTJ.C.HT	VSWR	Frequency	Impedance
	≤ 2	0 - 18GHz	50 Ω



SMA(F)ST for PCB Edge Mount Gold Plating 11.4mm Thread

Part Number

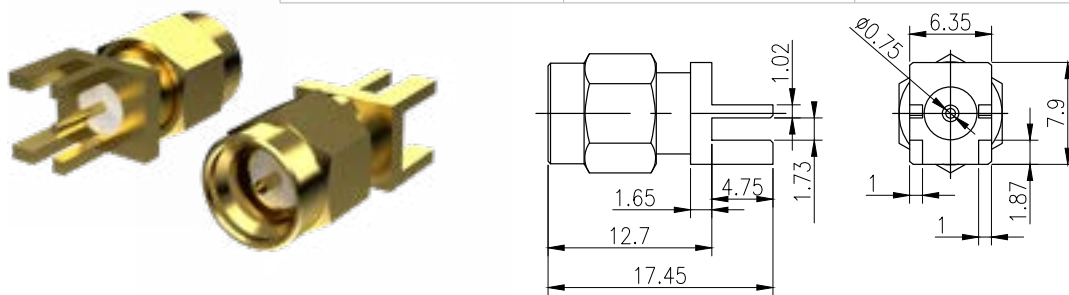
EMPCB.SMAFSTJ.F.HT	VSWR	Frequency	Impedance
	≤2	0 - 18GHz	50Ω



SMA(M)ST for PCB Edge Mount Gold Plating 0.94mm board

Part Number

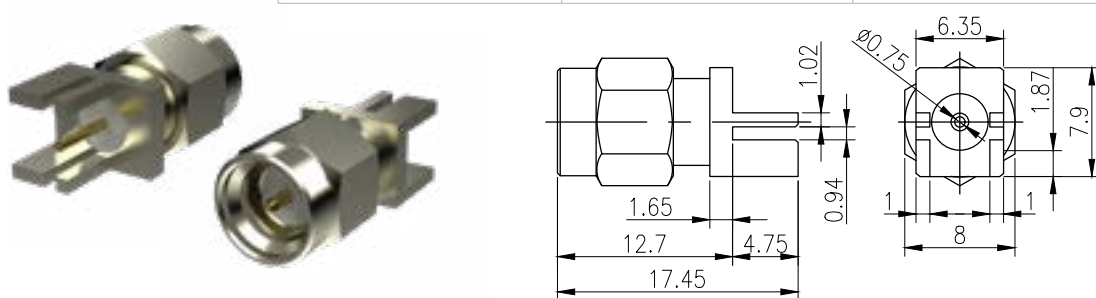
EMPCB.SMAMST.A	VSWR	Frequency	Impedance
	≤2	0 - 18GHz	50Ω



SMA(M)ST for PCB Edge Mount Nickel Plating 0.94mm board

Part Number

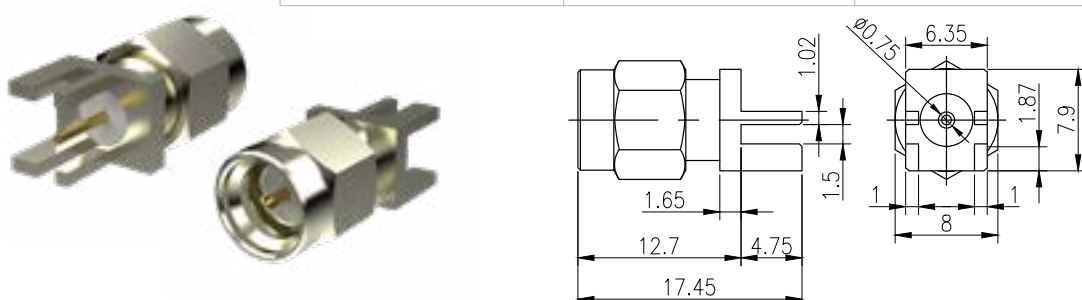
EMPCB.SMAMSTP.A.NI	VSWR	Frequency	Impedance
	≤2	0 - 18GHz	50Ω



SMA(M)ST for PCB Edge Mount Nickel Plating 1.5mm board

Part Number

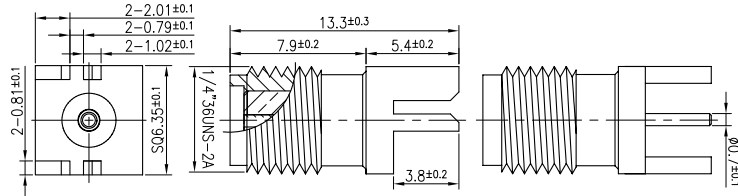
EMPCB.SMAMSTP.NI	VSWR	Frequency	Impedance
	≤2	0 - 18GHz	50Ω



SMA Straight PCB Edge Mount/End Launch, Jack, Gold, 50Ω, Connector Solder Attachment

Part Number

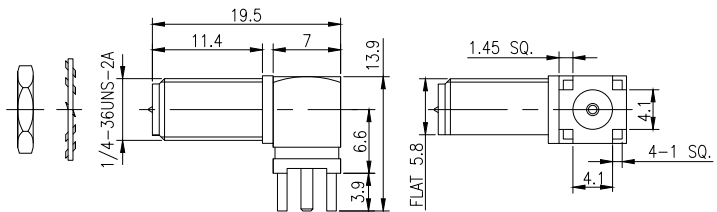
EMPCB.SMAFSTJ.B.HT	VSWR	Frequency	Impedance
	≤ 2	0 - 18GHz	50Ω



SMA(F)RA for PCB Mount Nickel Plating Leg Length: 3.9mm Extended Thread 11.4mm

Part Number

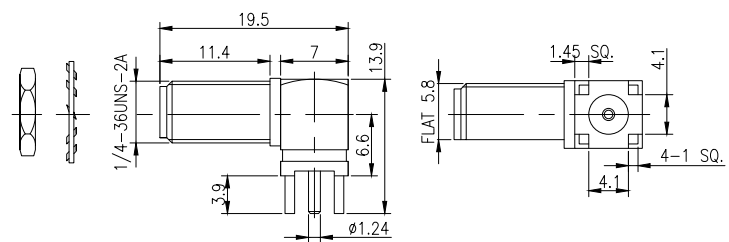
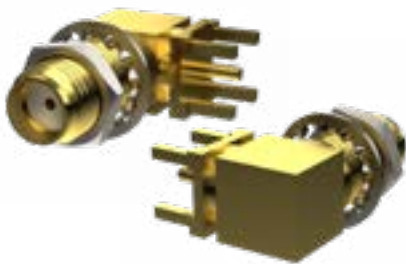
PCB.114SMAFRA.NI	VSWR	Frequency	Impedance
	≤ 2	0 - 18GHz	50Ω



SMA(F)RA for PCB Mount Gold Plating 11.4mm Thread

Part Number

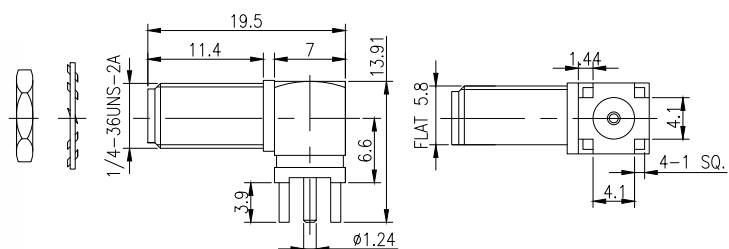
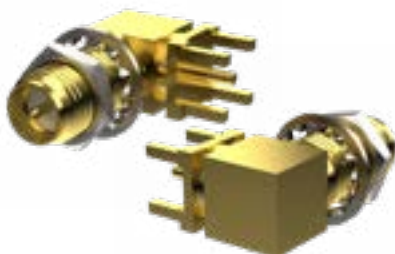
PCB.114SMAFRA.YC	VSWR	Frequency	Impedance
	≤ 2	0 - 18GHz	50Ω



SMA(F)RA for PCB Mount Gold Plating SMD 11.4mm Thread

Part Number

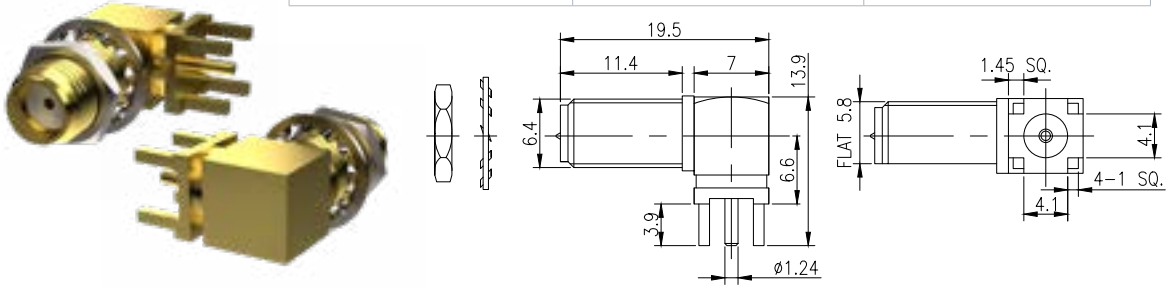
PCB.114SMAFRAJ.A	VSWR	Frequency	Impedance
	≤ 2	0 - 18GHz	50Ω



SMA(F)RA RP for PCB Mount Gold Plating SMD 11.4mm Thread 3.9mm Leg Length

Part Number

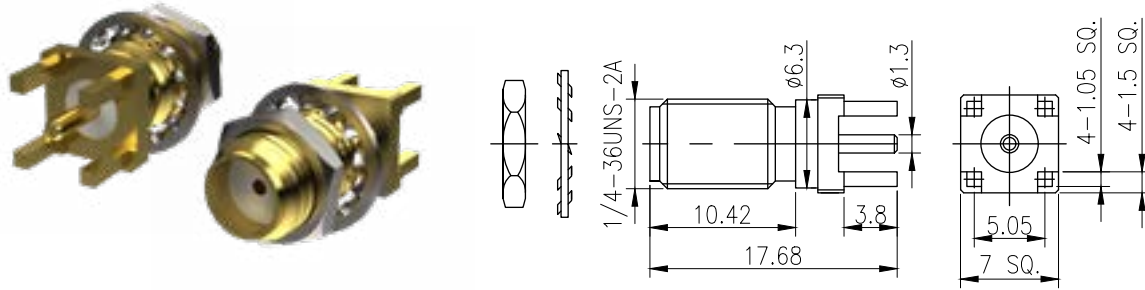
PCB.114SMAFRPRAJ.A	VSWR	Frequency	Impedance
	≤ 2	0 - 18GHz	50 Ω



SMA(F)ST for PCB Mount Gold Plating SMD 11.4mm Thread

Part Number

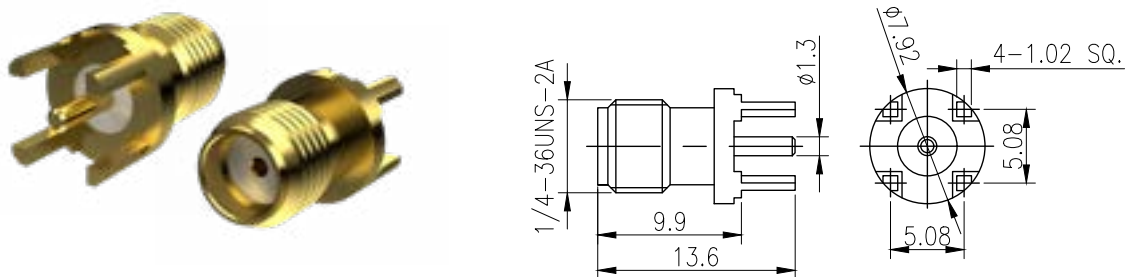
PCB.114SMAFSTJ.A	VSWR	Frequency	Impedance
	≤ 2	0 - 18GHz	50 Ω



SMA(F)ST for Circular PCB Mount Gold Plating

Part Number

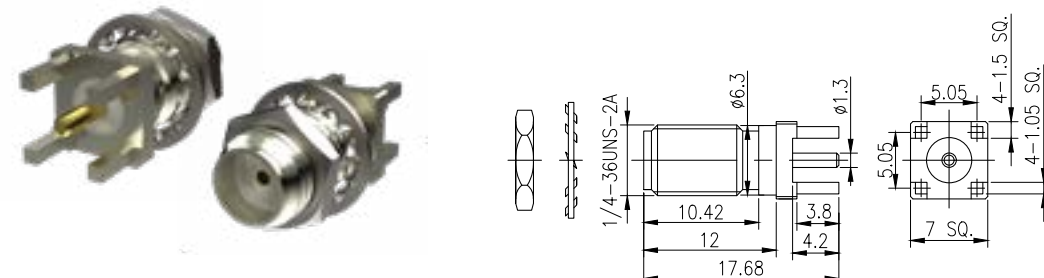
PCB.CSMAFSTJ.A	VSWR	Frequency	Impedance
	≤ 2	0 - 18GHz	50 Ω



SMA(F)ST for Circular PCB Mount Nickel Plating

Part Number

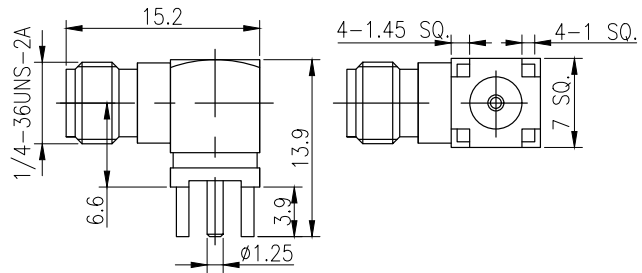
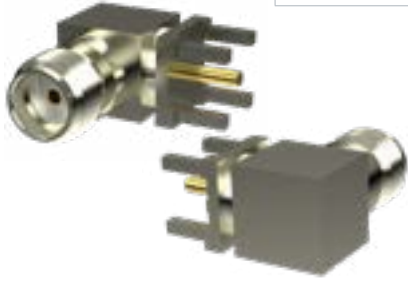
PCB.CSMAFSTJ.A.NI	VSWR	Frequency	Impedance
	≤ 2	0 - 18GHz	50 Ω



SMA(F)RA for PCB Mount Nickel Plating Through Hole Pin

Part Number

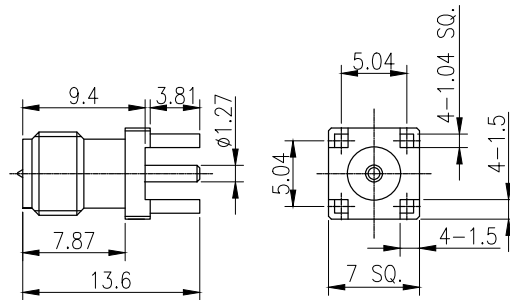
PCB.SMAFRA.NI	VSWR	Frequency	Impedance
	≤ 2	0 - 18GHz	50 Ω



RP-SMA(F)RA for PCB Mount Nickel Plating Through Hole Pin

Part Number

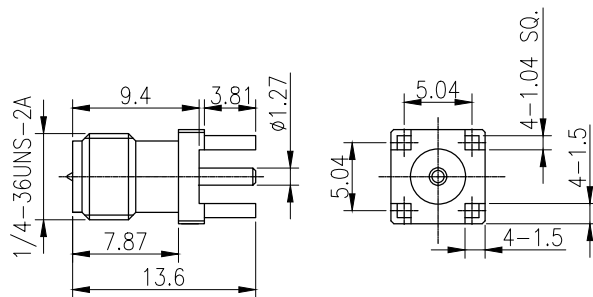
PCB.SMAFRPRA.NI	VSWR	Frequency	Impedance
	≤ 2	0 - 18GHz	50 Ω



SMA(F)ST RP for PCB Mount Gold Plating

Part Number

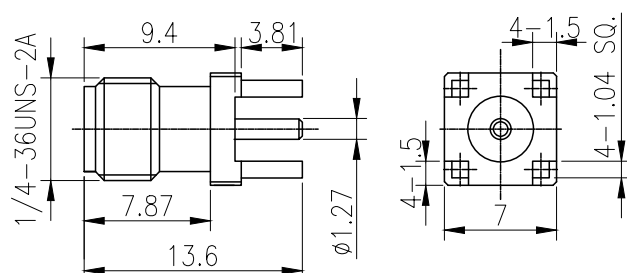
PCB.SMAFRPST.HT	VSWR	Frequency	Impedance
	≤ 2	0 - 18GHz	50 Ω



SMA(F)ST for PCB Mount Nickel Plating

Part Number

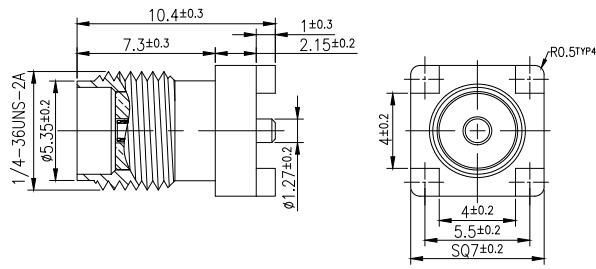
PCB.SMAFSTJ.NI	VSWR	Frequency	Impedance
	≤ 2	0 - 18GHz	50 Ω



SMA Straight PCB Mount, Jack, Gold, 50Ω, Surface Mount 1MM Leg Length

Part Number

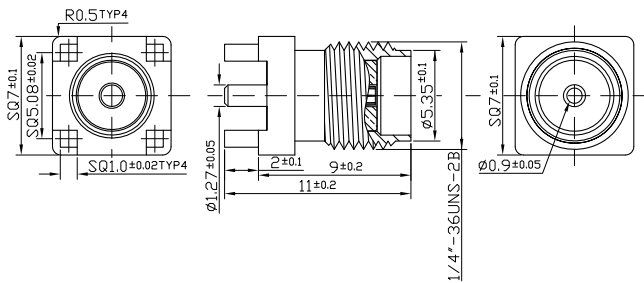
PCB.SMAFSTJ.B.HT	VSWR	Frequency	Impedance
	≤ 2	0 - 18GHz	50Ω



SMA Straight PCB Mount, Jack, Gold, 50Ω, Through Hole Pin

Part Number

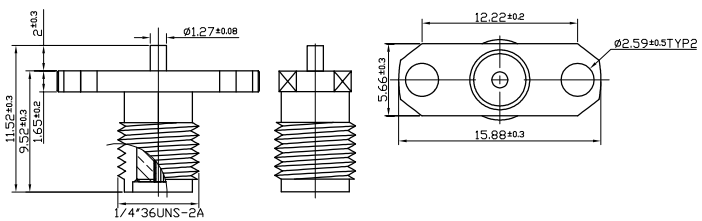
PCB.SMAFSTJ.A.HT	VSWR	Frequency	Impedance
	≤ 2	0 - 18GHz	50Ω



SMA Straight Panel Mount, Jack, Nickel, 50Ω, 2 Mounting Holes, Solder Termination Coaxial

Part Number

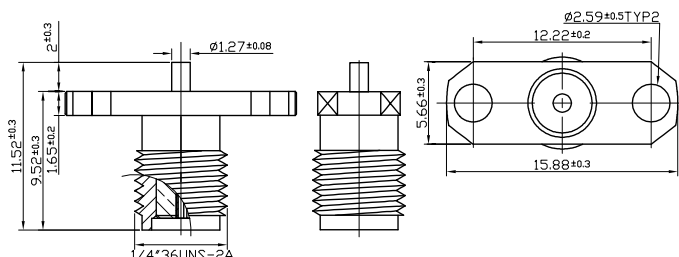
PCB.SMAFST.2H.B.HT	VSWR	Frequency	Impedance
	≤ 2	0 - 18GHz	50Ω



SMA Straight Panel Mount, Jack, Gold, 50Ω, 2 Mounting Holes, Solder Termination Coaxial

Part Number

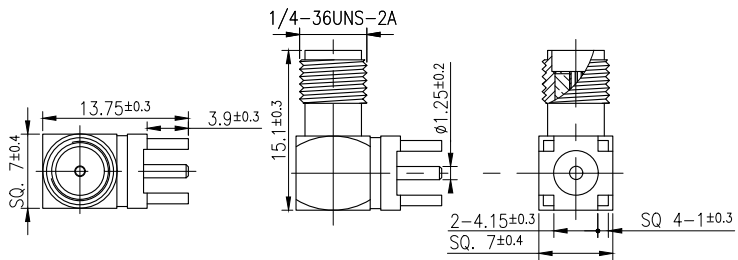
PCB.SMAFST.2H.A.HT	VSWR	Frequency	Impedance
	≤ 2	0 - 18GHz	50Ω



SMA RA PCB Mount, Jack, Gold, 50Ω, Through Hole Pin

Part Number

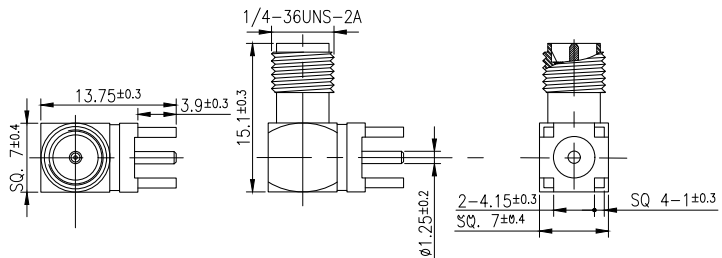
PCB.SMAFRA.HT	VSWR	Frequency	Impedance
	≤ 2	0 - 18GHz	50Ω



SMA RA Reverse Polarity PCB Mount, Jack, Gold, 50Ω, Through Hole Pin

Part Number

PCB.RPSMAFRA.HT	VSWR	Frequency	Impedance
	≤ 2	0 - 18GHz	50Ω

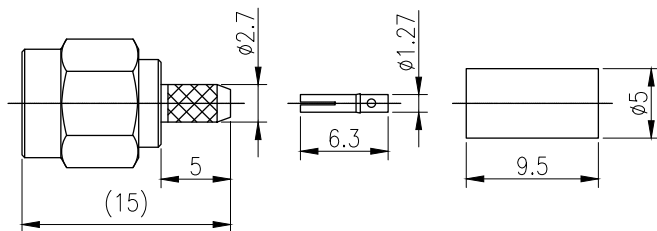


SMA Connectors - Cable Mount

SMA(M)ST RP for RG-176/RG-316 Nickel Plating

Part Number

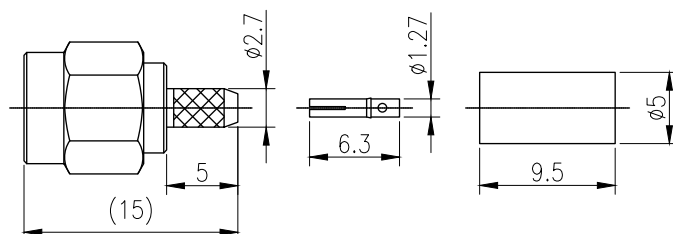
SMAFRPST.J.DK.HT	VSWR	Frequency	Impedance
	≤ 1.20	40GHz	50Ω



SMA(M)ST RP for RG-58/LMR-195/CFD-200 Nickel Plating

Part Number

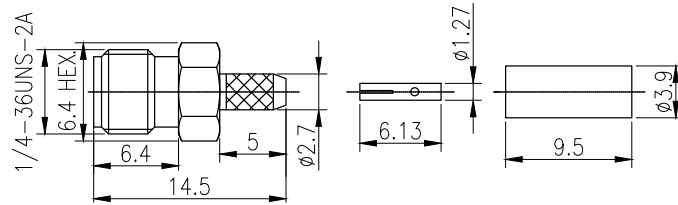
SMAFRPST.J.GN.HT	VSWR	Frequency	Impedance
	≤ 2	0 - 18GHz	50Ω



SMA(F)ST for RG-174/RG-316 Gold Plating

Part Number

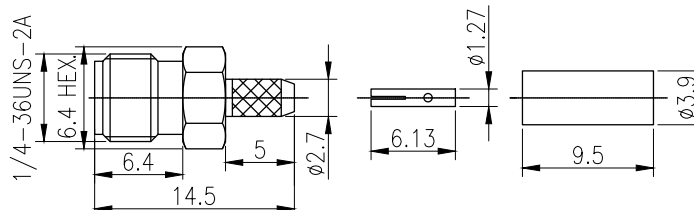
SMAFST.J.DK.HT	VSWR	Frequency	Impedance
	≤ 2	0 - 18GHz	50 Ω



SMA(F)ST for RG--58/TGC-200/CFD-200 Nickel Plating

Part Number

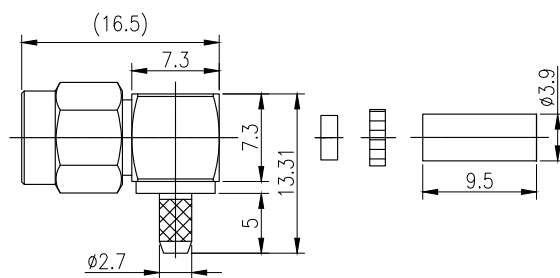
SMAFSTNI.J.G.XX	VSWR	Frequency	Impedance
	≤ 2	0 - 18GHz	50 Ω



SMA(M)RA for RG-174/RG-316 Nickel Plating

Part Number

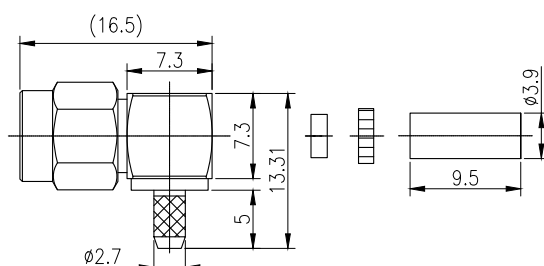
SMAMRA.P.DK.HT	VSWR	Frequency	Impedance
	≤ 2	0 - 18GHz	50 Ω



SMA(M)RA for RG-58/CFD-200 Nickel Plating

Part Number

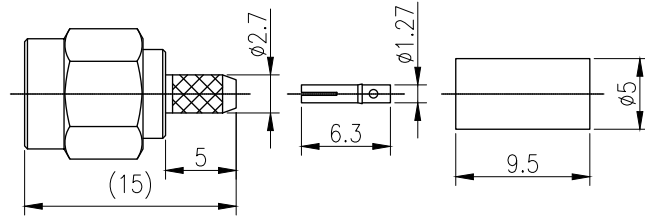
SMAMRA.P.GN.HT	VSWR	Frequency	Impedance
	≤ 2	0 - 18GHz	50 Ω



SMA(M)ST RP for RG-174/RG-316 Gold Plating

Part Number

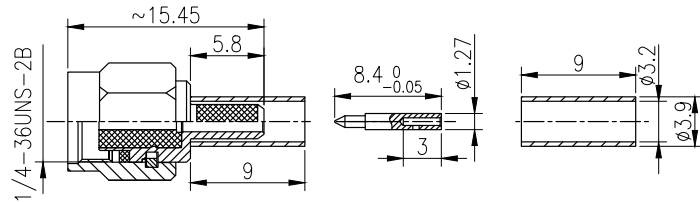
SMAMPST.P.DK.XX	VSWR	Frequency	Impedance
	≤ 2	0 - 18GHz	50 Ω



SMA(M)ST for RG-174 Gold Plating

Part Number

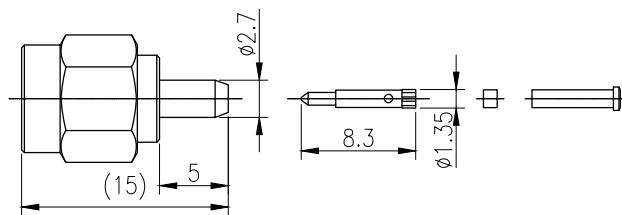
SMAMST.P.D.XX	VSWR	Frequency	Impedance
	≤ 2	0 - 18GHz	50 Ω



SMA(M)ST for RG-178 Gold Plating

Part Number

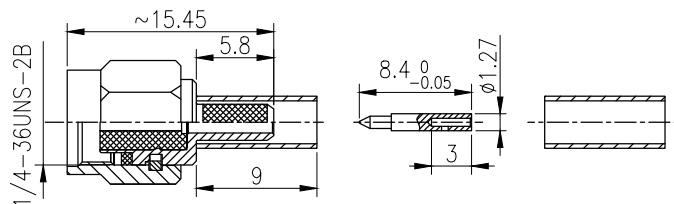
SMAMST.P.E.XX	VSWR	Frequency	Impedance
	≤ 2	0 - 18GHz	50 Ω



SMA(M)ST for RG-174 Nickel Plating

Part Number

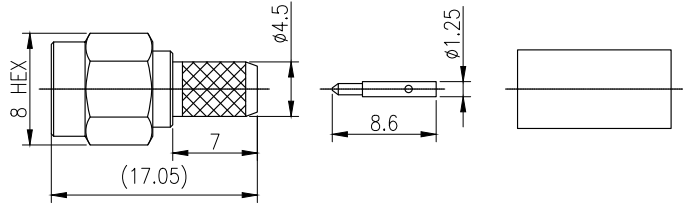
SMAMST.P.NI.D.WY	VSWR	Frequency	Impedance
	≤ 2	0 - 18GHz	50 Ω



SMA(M)ST for 200 Series cable Nickel Plating

Part Number

SMAMST.P.NI.G.XX	VSWR	Frequency	Impedance
	≤ 2	0 - 18GHz	50 Ω

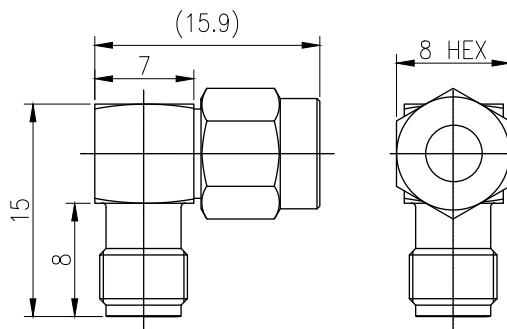


SMA Adapters

SMA(F)ST to SMA(M)RA Adapter

Part Number

SMAFST.SMAMRA.CO	VSWR	Frequency	Impedance
	≤ 1.20	40GHz	50 Ω



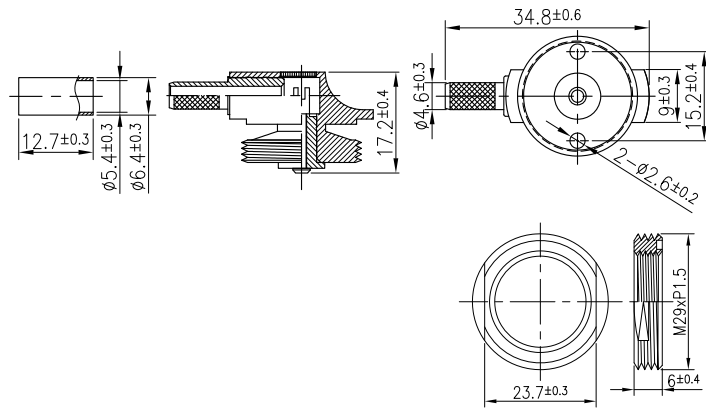
3. NMO Connectors

NMO Connectors - Cable Mount

High Performance Direct Mount NMO Connector

Part Number

NMODM.34.N.YN*	VSWR	Frequency	Impedance
	≤ 2	0 - 6GHz	50 Ω



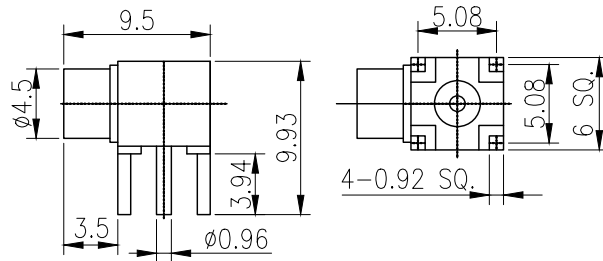
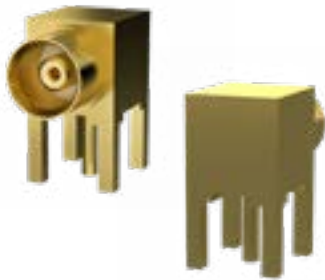
4. MCX Connectors

MCX Connectors - PCB Mount

MCX(F)RA for PCB Mount Gold Plating Leg length 4.4mm

Part Number

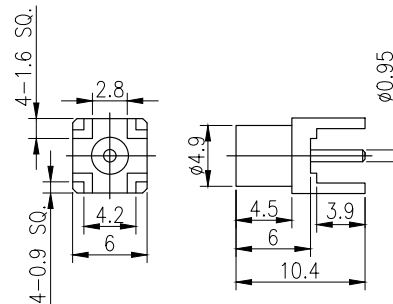
PCB.MCXFRAJ.A	VSWR	Frequency	Impedance
	≤ 2	0 - 6GHz	50 Ω



MCX(F)ST for PCB Mount Gold Plating Leg length 3.9mm

Part Number

PCB.MCXFSTJ.A	VSWR	Frequency	Impedance
	≤ 2	0 - 6GHz	50 Ω



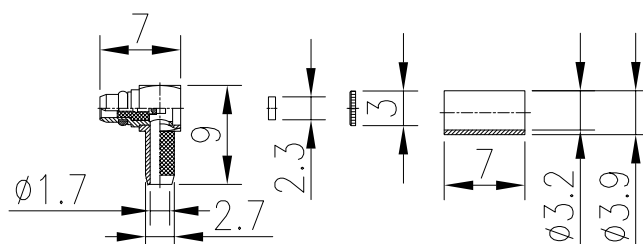
5. MMCX Connectors

MMCX Connectors - Cable Mount

MMCX(M)RA for RG-174/RG-316 Gold Plating

Part Number

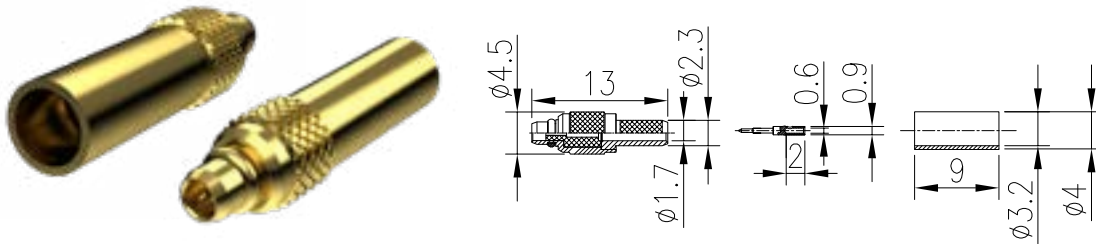
MMCXMRA.P.DK.HT	VSWR	Frequency	Impedance
	≤ 2	0 - 6GHz	50 Ω



MMCX(M)ST for RG-174/RG-316 Gold Plating

Part Number

MMCXMST.DK.J	VSWR	Frequency	Impedance
	≤ 2	0 - 6GHz	50 Ω

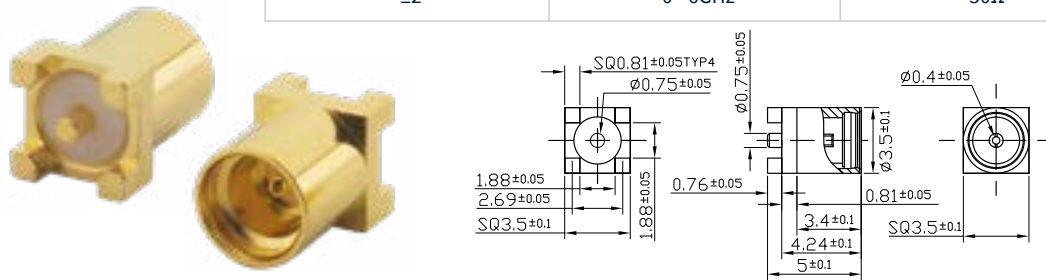


MMCX Connectors - PCB Mount

MMCX Straight PCB Mount, Jack, Gold, 50 Ω , Surface Mount

Part Number

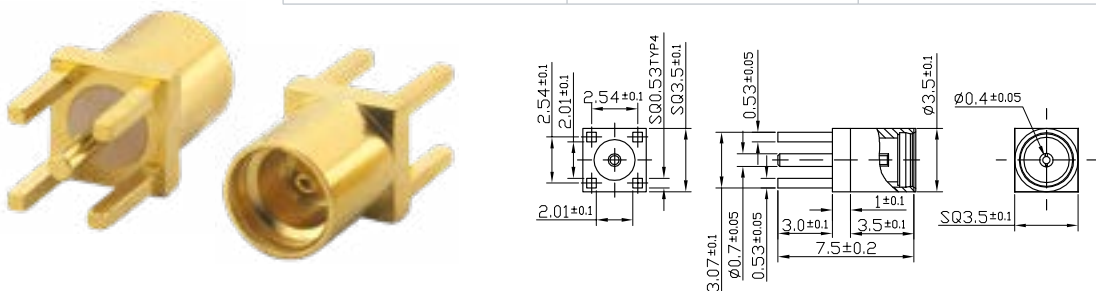
PCB.MMCXFSTJ.SMT.HT	VSWR	Frequency	Impedance
	≤ 2	0 - 6GHz	50 Ω



MMCX Straight PCB Mount, Jack, Gold, 50 Ω , Through Hole Pin

Part Number

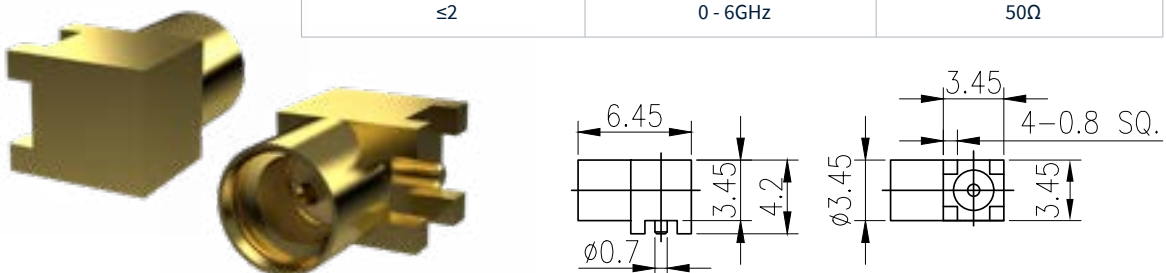
PCB.MMCXFSTJ.HT	VSWR	Frequency	Impedance
	≤ 2	0 - 6GHz	50 Ω



MMCX(F)RA for PCB Mount Gold Plating Leg length 0.7mm

Part Number

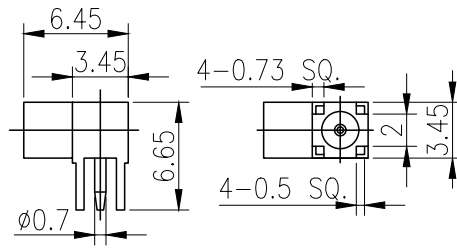
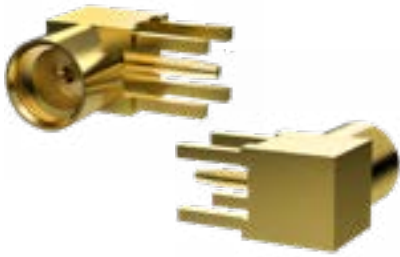
PCB.MMCXFRAJ.A	VSWR	Frequency	Impedance
	≤ 2	0 - 6GHz	50 Ω



MMCX(F)RA for PCB Mount Gold Plating Total Length 6.9mm

Part Number

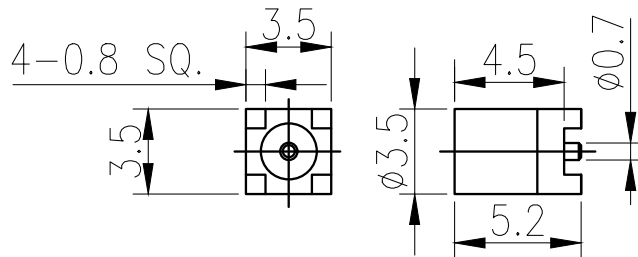
PCB.MMCXFRAJ.A.J	VSWR	Frequency	Impedance
	≤ 2	0 - 6GHz	50 Ω



MMCX(F)ST for SMT Gold Plating Short Legs 0.7mm

Part Number

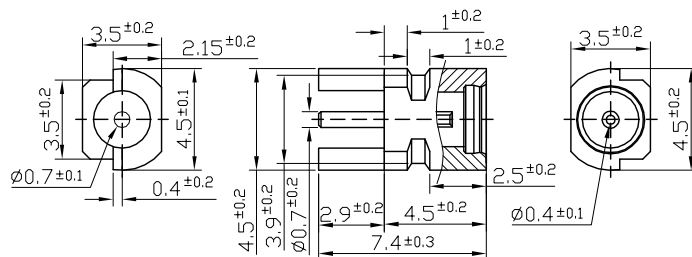
PCB.MMCXFSTJ.C.A	VSWR	Frequency	Impedance
	≤ 2	0 - 6GHz	50 Ω



MMCX Straight PCB Edge Mount/End Launch, Jack, Gold, 50 Ω , Connector Solder Attachment

Part Number

EMPCB.MMCXFSTJ.A.HT	VSWR	Frequency	Impedance
	≤ 2	0 - 6GHz	50 Ω



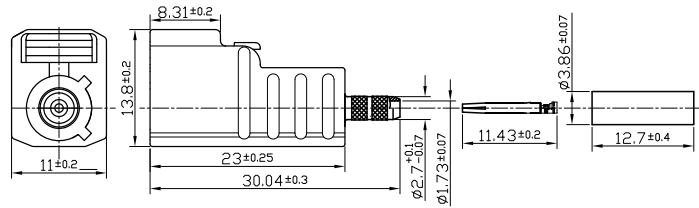
6. FAKRA Connectors

FAKRA Connectors - Cable Mount

FAKRA Generation 3 Code D Claret/Violet Plug Connector for RG--174 & RG--316 Type Cables

Part Number

FK.G3.SMBFST.D.AP	VSWR	Frequency	Impedance
	≤ 2	0 - 6GHz	50 Ω



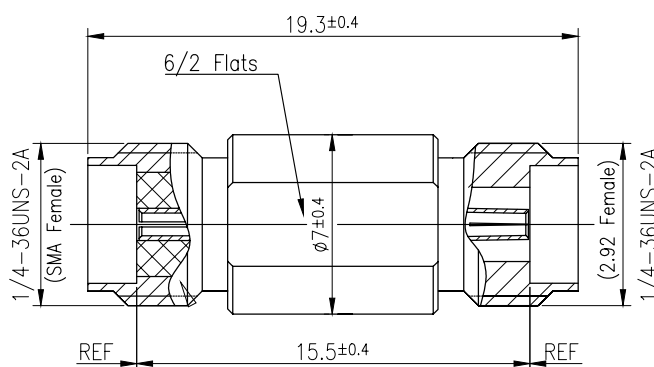
7. 2.92mm Adaptors & Connectors

2.92mm 40GHz Rated Adaptors

2.92(F) to SMA(F) mmWave Adaptor

Part Number

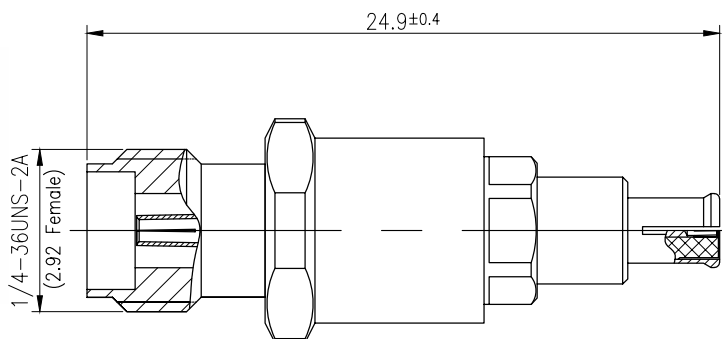
292FST.SMAF.N.XS	VSWR	Return Loss	Insertion Loss	Frequency	Impedance
	≤1.15	> -19.085dB	0.32dB	27GHz	50Ω



2.92(F) to SMP(F) mmWave Adaptor

Part Number

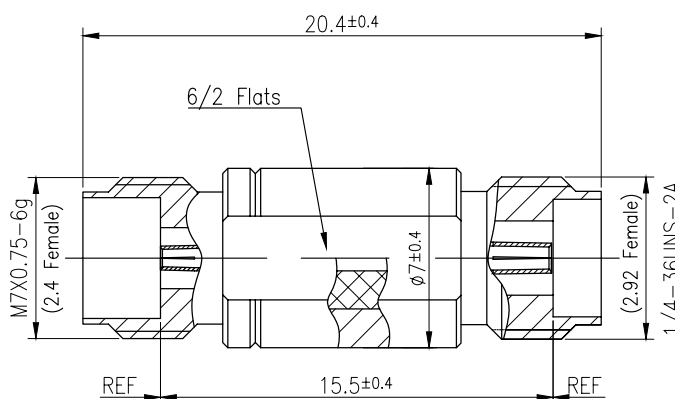
292FST.SMPF.N.XS	VSWR	Return Loss	Insertion Loss	Frequency	Impedance
	≤1.25	> -17.692dB	0.32dB	40GHz	50Ω



2.92(F) to 2.4(F) mmWave Adaptor

Part Number

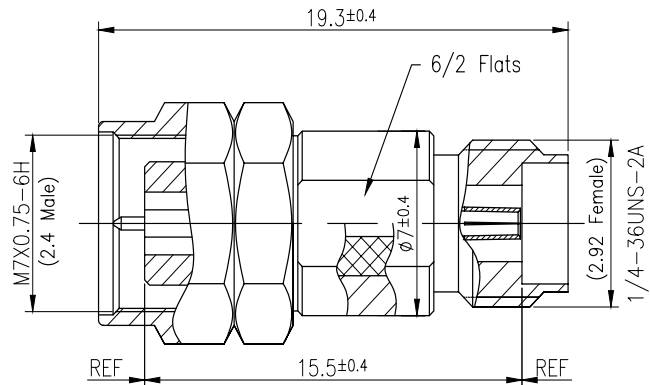
292FST.24F.N.XS	VSWR	Return Loss	Insertion Loss	Frequency	Impedance
	≤1.20	> -20.828dB	0.32dB	40GHz	50Ω



2.92(F) to 2.4(M) mmWave Adaptor

Part Number

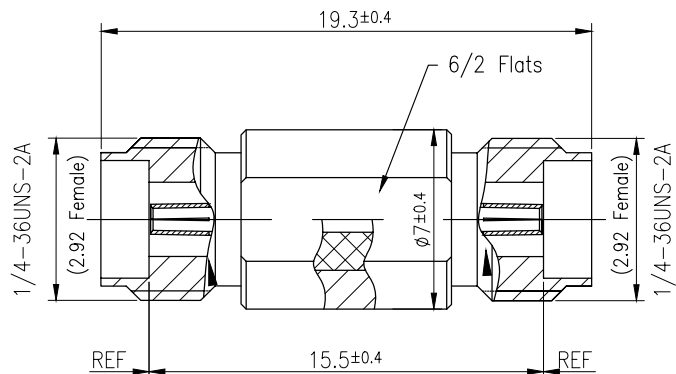
292FST.24M.N.XS	VSWR	Return Loss	Insertion Loss	Frequency	Impedance
	≤ 1.20	> -19.085dB	0.32dB	40GHz	50Ω



2.92(F) to 2.92(F) mmWave Adaptor

Part Number

292FST.292F.N.XS	VSWR	Return Loss	Insertion Loss	Frequency	Impedance
	≤ 1.20	> -19.085dB	0.32dB	40GHz	50Ω

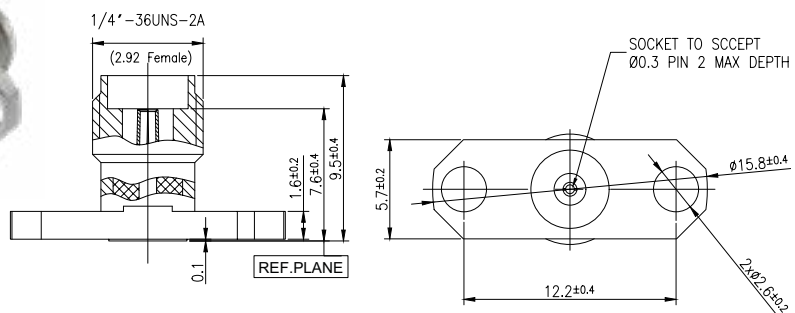


2.92mm 40GHz Connectors - PCB Mount

2.92(F) V Mount 2 Hole Vertical Mount Straight Receptacle (Without Screws)

Part Number

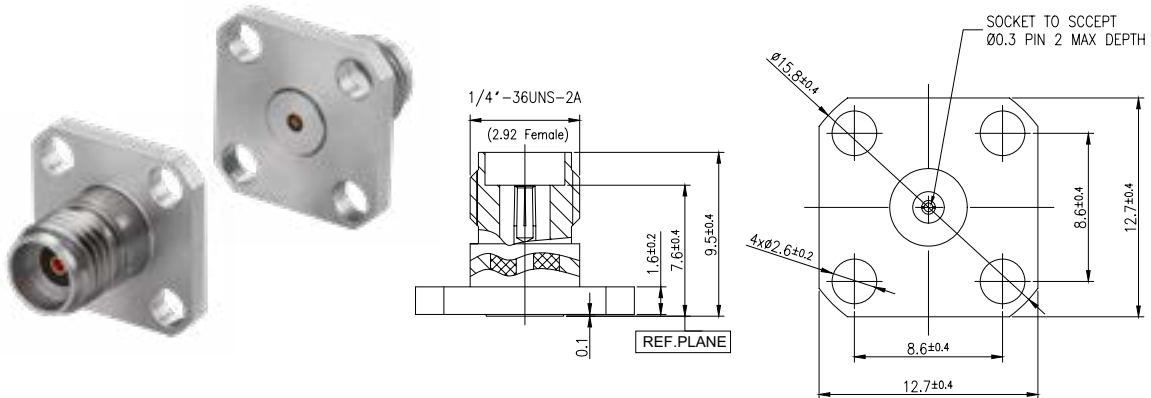
PCB.292FST.2H.XS	VSWR	Return Loss	Insertion Loss	Frequency	Impedance
	≤ 1.20	> -17.692dB	0.38dB	40GHz	50Ω



2.92(F) V Mount 4 Hole Vertical Mount Straight Receptacle (Without Screws)

Part Number

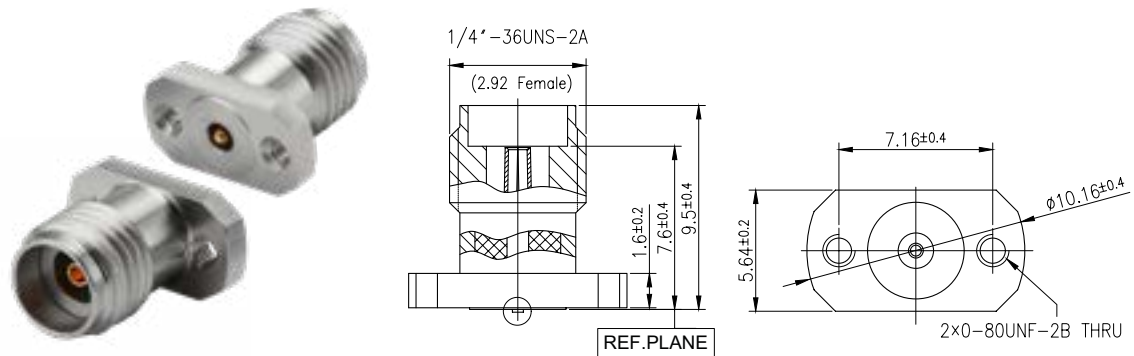
PCB.292FST.4H.XS	VSWR	Return Loss	Insertion Loss	Frequency	Impedance
	≤1.20	> -20.828dB	0.38dB	40GHz	50Ω



2.92(F) PCB Vertical on board Connector

Part Number

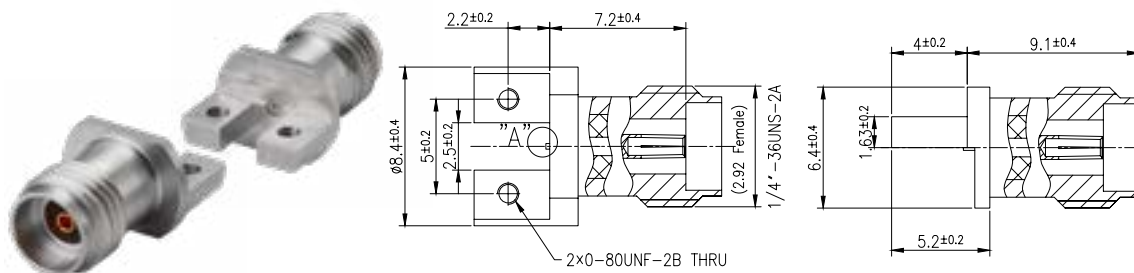
VMPCB.292FST.A.XS	VSWR	Return Loss	Insertion Loss	Frequency	Impedance
	≤1.20	> -17.692dB	0.38dB	40GHz	50Ω



2.92(F) Edge Mount PCB on board Connector

Part Number

EMPCB.292FST.A.XS	VSWR	Return Loss	Insertion Loss	Frequency	Impedance
	≤1.25	> -15.563dB	0.35dB	40GHz	50Ω



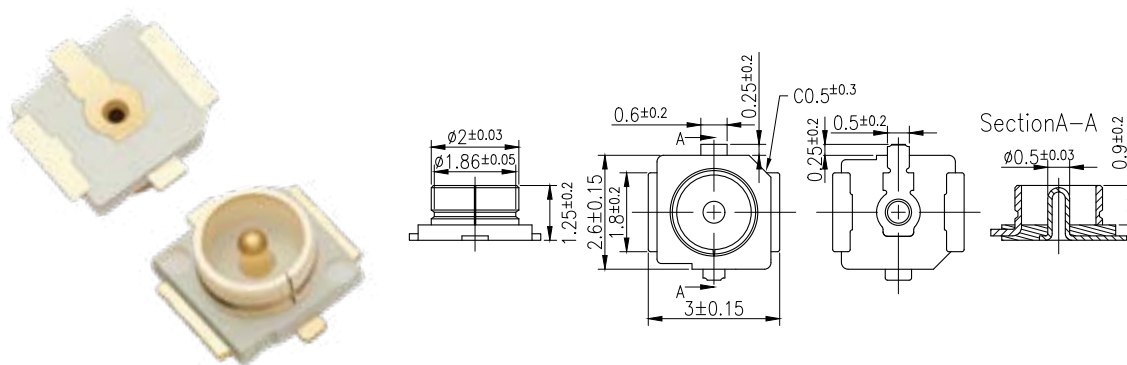
8. Receptacles

Receptacles

TXR™ 1 SMD U.FL Compatible Receptacle

Part Number

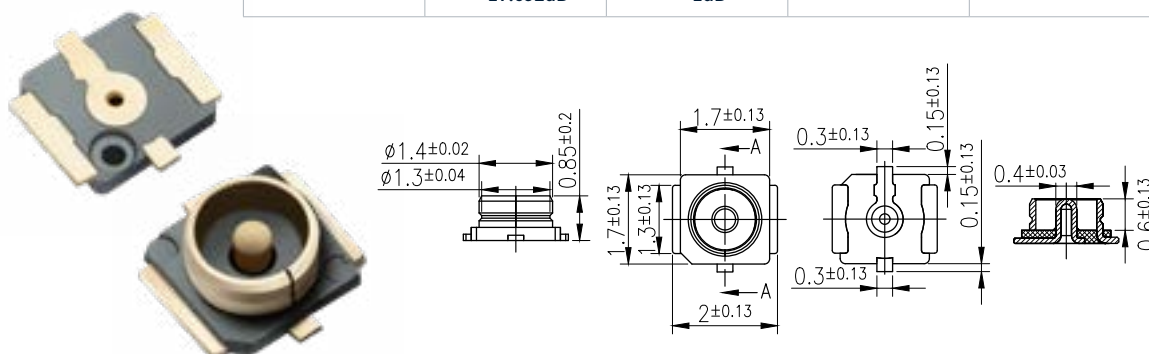
RECE.20279.001E.01	VSWR	Return Loss	Insertion Loss	Frequency	Impedance
	≤1.15	> -19.085dB	>0.5dB	10GHz	50Ω



TXR™ 3 SMD W.FL Compatible Receptacle

Part Number

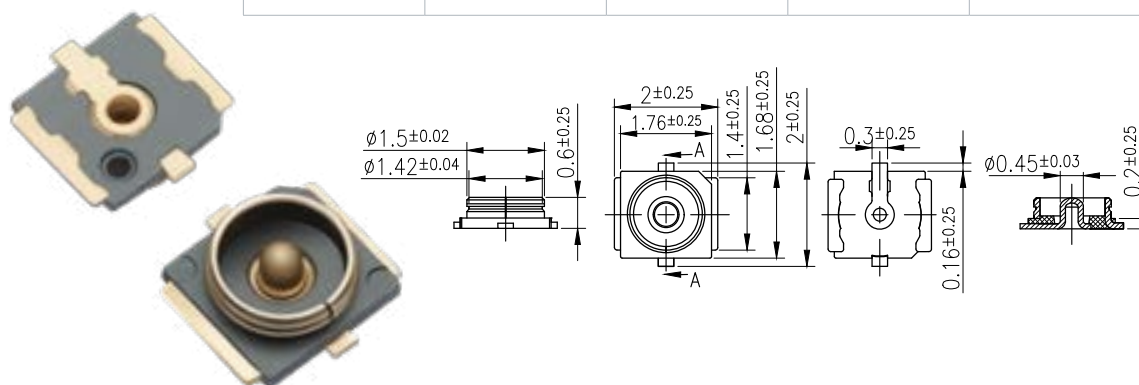
RECE.20369.001E.01	VSWR	Return Loss	Insertion Loss	Frequency	Impedance
	≤1.4	> -17.692dB	> -1dB	6GHz	50Ω



TXR™ 4 Series SMD I-PEX MHF®4 / HSC Compatible Receptacle

Part Number

RECE.20449.001E.01	VSWR	Return Loss	Insertion Loss	Frequency	Impedance
	≤1.4	> -20.828dB	> -1dB	10GHz	50Ω





Wexford, Ireland
Group Headquarters
Unit 5 Kiltannon Business Park
Old Dublin Road, Enniscorthy
Co. Wexford, Y21 XW56,
Ireland
+353 53 9169500
emeasales@taoglas.com

Dublin, Ireland
DCU Alpha,
Innovation Campus,
Old Finglas Road, Glasnevin,
Dublin 11, D11 KXN4,
Ireland
emeasales@taoglas.com

Gdansk, Poland
Myśliwska 21,
80-126 Gdańsk,
Poland
emeasales@taoglas.com

CA, United States
8525 Camino Santa Fe,
Suite A & B, San Diego,
CA 92121,
USA
+1 858 450 0888
nasales@taoglas.com

MN, United States
15 S. 5th Street – Suite 150
Minneapolis, MN 55402,
USA
+1 858 450 0888
nasales@taoglas.com

FL, United States
5497 Wiles Rd.
Suite 205
Coconut Creek, FL 33073,
USA
+1 954 977 4470
nasales@taoglas.com

Taoyuan, Taiwan
No.2-2 Ln. 66, ZhongShan
1st Rd, Bade City, Taoyuan City
33454, Taiwan
(R.O.C.)
+886 3 3681223
asiasales@taoglas.com

Tainan, Taiwan
Taoglas Manufacturing Site
4F.-2, No.15, Guoji Road,
Xinshi District, Tainan City 744,
Taiwan (R.O.C.)
+886 3 3681223
asiasales@taoglas.com

Shenzhen, China
Unit 509, Neptune Building,
Lanxiang 1st Street, Nanshan
District, Shenzhen 518067,
China
+86 (755) 86538292
cnsales@taoglas.com

Contact us for quick and professional support from our senior engineering team
to manage and develop your next IoT project.

www.taoglas.com