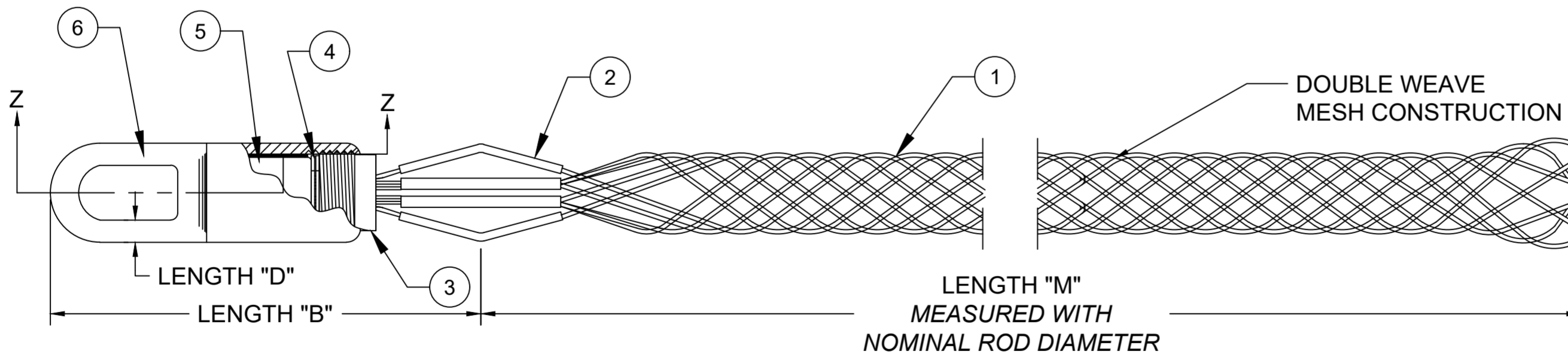
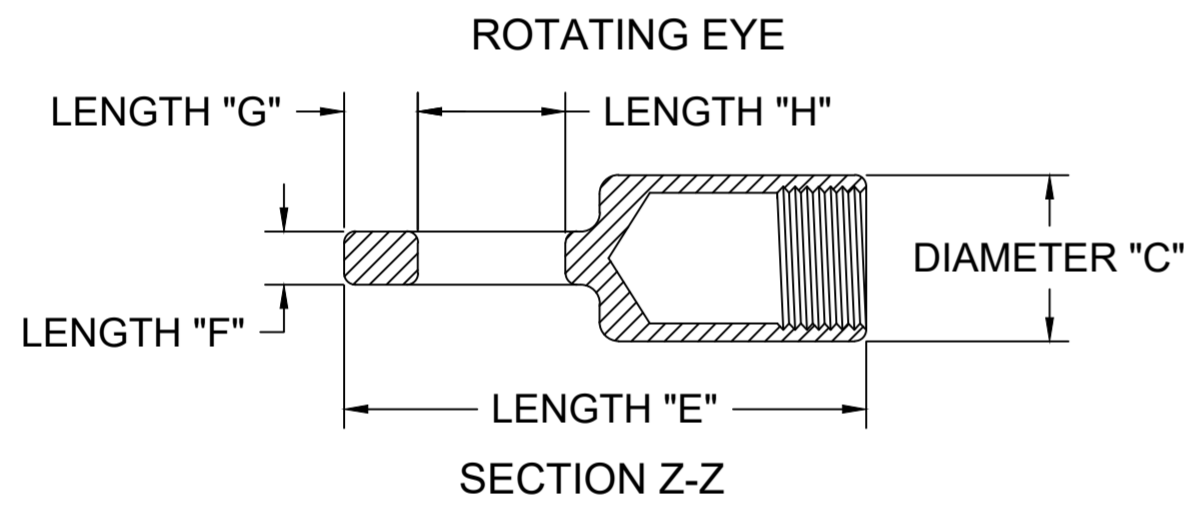


CATALOG NUMBER	MATERIAL NUMBER	CABLE RANGE	NOMINAL ROD DIAMETER	LENGTH "M"	LENGTH "B"	APPROXIMATE BREAK STRENGTH* (LBS / N)	UL LISTED	CSA APPROVED	PRODUCT SELECTION NUMBER
35865	1300950124	.50-.61 / 12.7-15.5	.55 / 14.0	16.00±2.00 / 406.4±50.8	5.00±0.50 / 127.0±12.7	5600 / 24910	N	O	PS050-2
35866	1300950125	.62-.74 / 15.7-18.8	.68 / 17.3	16.00±2.00 / 406.4±50.8	5.00±0.50 / 127.0±12.7	6800 / 30248			PS062-2
35880	1300950135	.75-.99 / 19.1-25.1	.87 / 22.1	32.00±3.50 / 812.8±88.9	6.00±0.50 / 152.4±12.7	9600 / 42703			PS075-3
35881	1300950136	1.00-1.49 / 25.4-37.8	1.24 / 31.5	33.00±3.50 / 838.2±88.9	7.00±1.00 / 177.8±25.4	16400 / 72951			PS100-3
35882	1300950137	1.50-1.99 / 38.1-50.5	1.74 / 44.2	34.00±3.50 / 863.6±88.9	7.00±1.00 / 177.8±25.4	16400 / 72951			PS150-3
35883	1300950138	2.00-2.49 / 50.8-63.2	2.24 / 56.9	36.00±3.50 / 914.4±88.9	9.00±1.00 / 228.6±25.4	27200 / 120992			PS200-3
35884	1300950139	2.50-2.99 / 63.5-75.9	2.74 / 69.6	38.00±3.50 / 965.2±88.9	10.00±1.00 / 254.0±25.4	33000 / 146791			PS250-3
35887	1300950142	4.00-4.49 / 101.6-114.0	4.24 / 107.7	42.00±4.50 / 1066.8±114.3	10.00±1.00 / 254.0±25.4	48000 / 213515			PS400-3
35897	1300950143	4.50-4.99 / 114.3-126.7	4.74 / 120.4	58.00±5.00 / 1473.2±127.0	10.00±1.00 / 254.0±25.4	48000 / 213515			PS450-4
35898	1300950144	5.00-5.99 / 127.0-152.1	5.49 / 139.4	60.00±5.00 / 1524.0±127.0	10.00±1.00 / 254.0±25.4	48000 / 213515			PS500-4
35899	1300950145	6.00-6.99 / 152.4-177.5	6.49 / 164.8	50.00±5.00 / 1270.0±127.0	10.00±1.00 / 254.0±25.4	48000 / 213515			PS600-4

*TO DETERMINE RECOMMENDED WORKING LOAD, DIVIDE BREAK STRENGTH BY 5.

ROTATING EYE DIMENSIONS - REFERENCE						
CATALOG NUMBER	DIAMETER "C"	LENGTH "D"	LENGTH "E"	LENGTH "F"	LENGTH "G"	LENGTH "H"
35865	.875 / 22.23	.187 / 4.75	2.750 / 69.85	.281 / 7.14	.250 / 6.35	.875 / 22.23
35866	.875 / 22.23	.187 / 4.75	2.750 / 69.85	.281 / 7.14	.250 / 6.35	.875 / 22.23
35880	1.000 / 25.40	.219 / 5.56	3.625 / 92.08	.500 / 12.70	.312 / 7.92	.906 / 23.01
35881	1.375 / 34.93	.344 / 8.74	4.625 / 117.48	.500 / 12.70	.375 / 9.53	1.000 / 25.40
35882	1.375 / 34.93	.344 / 8.74	4.625 / 117.48	.500 / 12.70	.375 / 9.53	1.000 / 25.40
35883	1.625 / 41.275	.375 / 9.53	5.437 / 138.10	.625 / 15.88	.500 / 12.70	1.187 / 30.15
35884	1.875 / 47.625	.437 / 11.1	6.250 / 158.75	.656 / 16.66	.500 / 12.70	1.375 / 34.93
35886	1.875 / 47.625	.437 / 11.1	6.250 / 158.75	.656 / 16.66	.500 / 12.70	1.375 / 34.93
35887	1.875 / 47.625	.437 / 11.1	6.250 / 158.75	.656 / 16.66	.500 / 12.70	1.375 / 34.93
35897	1.875 / 47.625	.437 / 11.1	6.250 / 158.75	.656 / 16.66	.500 / 12.70	1.375 / 34.93
35898	1.875 / 47.625	.437 / 11.1	6.250 / 158.75	.656 / 16.66	.500 / 12.70	1.375 / 34.93
35899	1.875 / 47.625	.437 / 11.1	6.250 / 158.75	.656 / 16.66	.500 / 12.70	1.375 / 34.93



DOUBLE WEAVE MESH CONSTRUCTION

ITEM	DESCRIPTION	MATERIAL
1	WIRE MESH	GALVANIZED STEEL
2	SHOULDER PROTECTOR	ALUMINUM
3	THREADED INSERT	STEEL
4	FLAT WASHERS	NYLATRON
5	SWAGING FERRULE	STEEL
6	ROTATING EYE	STEEL

INSTRUCTION SHEET TO BE INCLUDED WITH GRIP.

FUNCTIONAL SYMBOLS		THIS DRAWING CONTAINS INFORMATION THAT IS PROPRIETARY TO MOLEX ELECTRONIC TECHNOLOGIES, LLC AND SHOULD NOT BE USED WITHOUT WRITTEN PERMISSION		CURRENT REV DESC: OBSOLETE PART NUMBER AS PER PCN#510808	
FA=0	DIMENSION UNITS	SCALE	EC NO: 736640		
	INCH/MM	NTS	DRWN: SUGEEB	2022/12/21	PULLING GRIPS HEAVY DUTY STANDARD LENGHT K-TYPE
FC=0	GENERAL TOLERANCES (UNLESS SPECIFIED)		CHK'D: LIKITV	2023/02/10	
	mm		INCH	APPR: GGA	2023/02/16
FD=0	4 PLACES	±----	±----	INITIAL REVISION:	
	3 PLACES	±----	±0.005	DRWN: HRUIZ01	2014/09/04
DIVISIONAL SYMBOLS	2 PLACES	±0.13	±0.01	APPR: JFMURPHY	2015/03/23
	1 PLACE	±0.25	±0.02	SERIES 130095	
0 PLACES		±----	±----	MATERIAL NUMBER	CUSTOMER
ANGULAR TOL ± 0.5°		THIRD ANGLE PROJECTION		SEE TABLE	GENERAL MARKET
DRAFT WHERE APPLICABLE MUST REMAIN WITHIN DIMENSIONS		DRAWING C-SIZE		SHEET NUMBER 1 OF 1	

molex

PULLING GRIPS
HEAVY DUTY STANDARD LENGHT K-TYPE

PRODUCT CUSTOMER DRAWING

DOCUMENT NUMBER: SD-130095-107
DOC TYPE/DOC PART: PSD 001
REVISION: A2