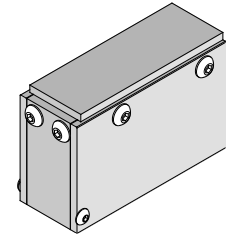




**2-by-1
zQSFP+
Insertion Tool**

**Application Tooling
Specification Sheet**



Order No. 62202-5320

FEATURES

- Lightweight tool used in the insertion of a zQSFP+ connector in a PCB
- Inserts connector to a PCB without damage to the board
- Use tool 62202-5210 for removing connectors

SCOPE

Products: Quad Small Form-factor Pluggable zQSFP+ Cage Assembly, 2-by 1 Thermal Multi-Port Connector, 2 Press Fit Rear Legs, Elastomeric Gasket for SAN Applications.

Series No.	Connector Order No.		
170879	170879-3001*	170879-3002*	170879-3003*
	170879-3101	170879-3102	170879-3103
	170879-4001	170879-4002	170879-4003

* Minor tool adjustment required for these order numbers. See "Set Up".

Notes:

1. See the following pages for tooling operation instructions.
2. These tools require a "Keep Out Zone" around the connector free of components. The rear of the connector should be .197" (5.0mm). The right and left sides should be .14" (3.5mm). See Figure 1.

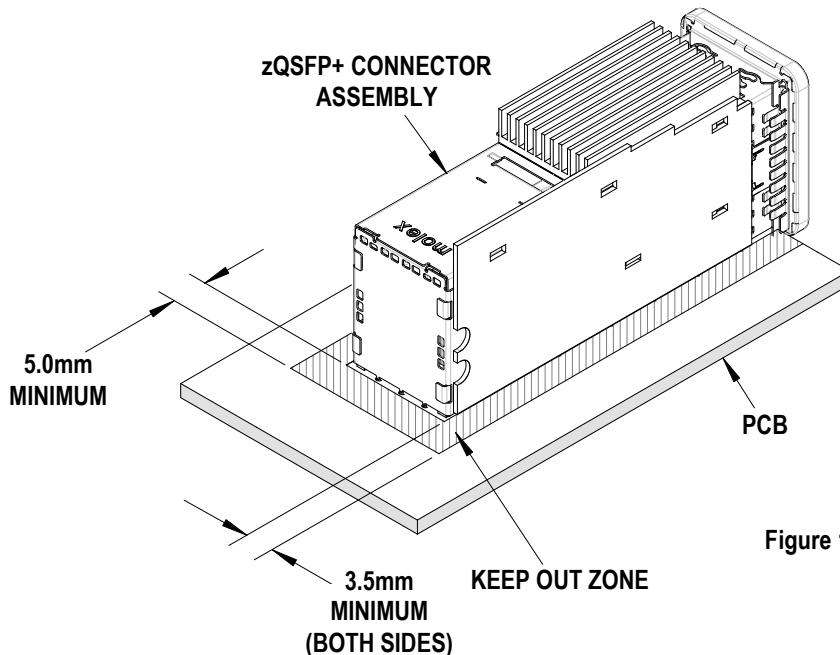


Figure 1

Set Up

For connectors with taller heat sink fins (order numbers 170879-3001, 170879-3002, and 170879-3003) the insertion tool must be set up as follows:

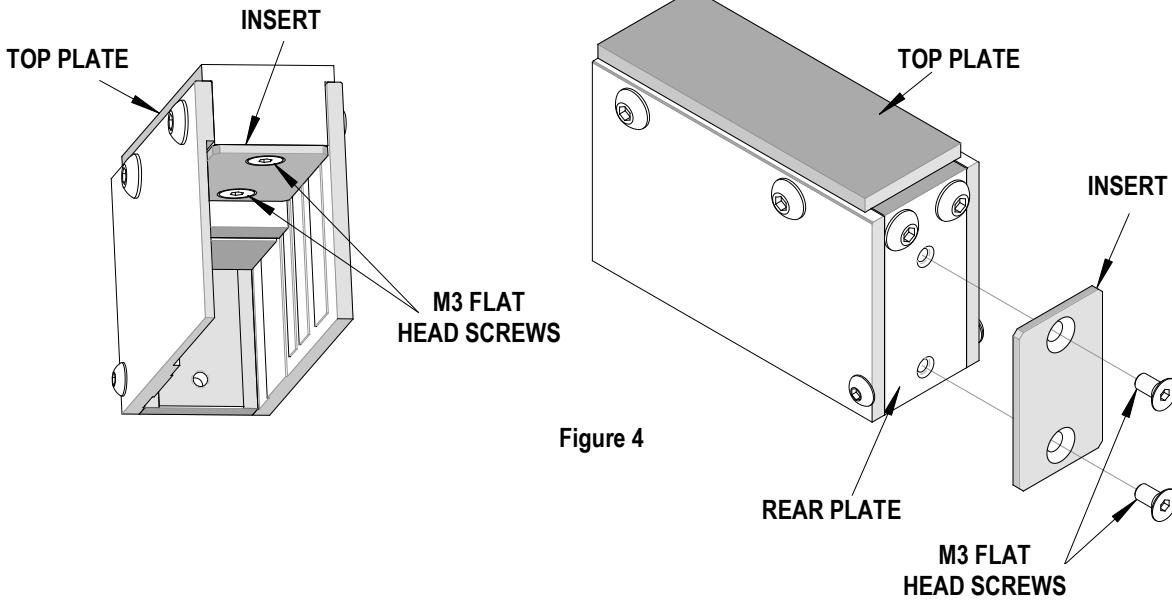


Figure 4

1. Using a 2mm hex wrench, remove the 2 M3 flat head screws holding the insert to the top plate.
2. Remove the insert from the top plate.
3. The insert can be stored on the rear plate of the tool. Use the 2 M3 flat head screws to hold the insert to the rear plate. See Figure 4.

Description

The following Instructions are used for inserting the 2 by 1 connector into a PCB.

Operation

1. Place a connector assembly on the PCB.
2. Place the tool on the connector assembly (closed end to the back end of the connector). See Figure 2.
3. Place tool, connector, and PCB, in a press of suitable size and force, and seat the connector assembly as shown. The support plate (furnished by the customer) under the PCB must have clearance for the connector pins as they pass through the PCB.

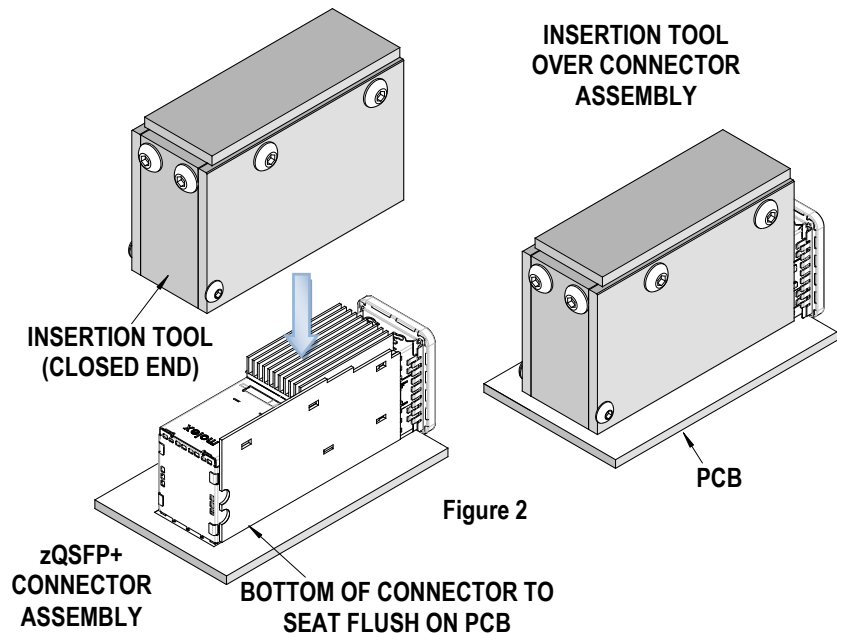
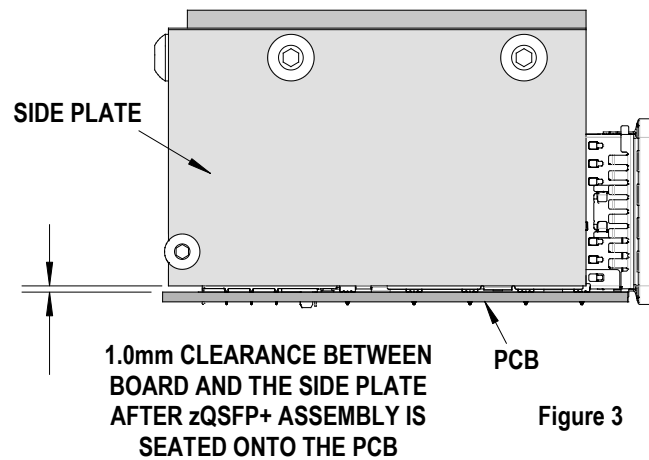


Figure 2



Clearance

Use this tool only with a press that has a pre-determined shut height when seating the zQSFP+ assembly on a PCB. See figure 3. This tool is designed so there is a 1mm nominal gap between the side plate and the PCB when the assembly is fully seated.

Attempting to stop the Press-In Tool on the PCB will result in damage the zQSFP+ cage and terminals being over seated.

CAUTION: Molex application tooling specifications are valid only when used with Molex connectors and tooling.

Contact Information

For more information on Molex application tooling please contact Molex at 1-800-786-6539.

Visit our Web site at <http://www.molex.com>