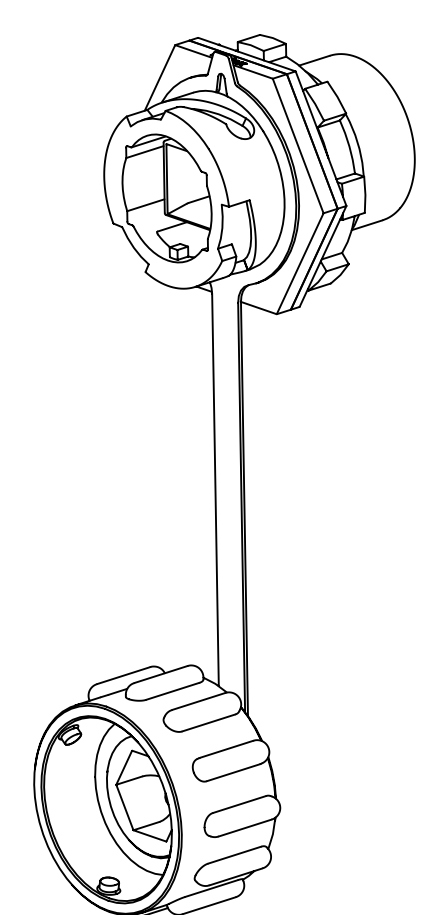
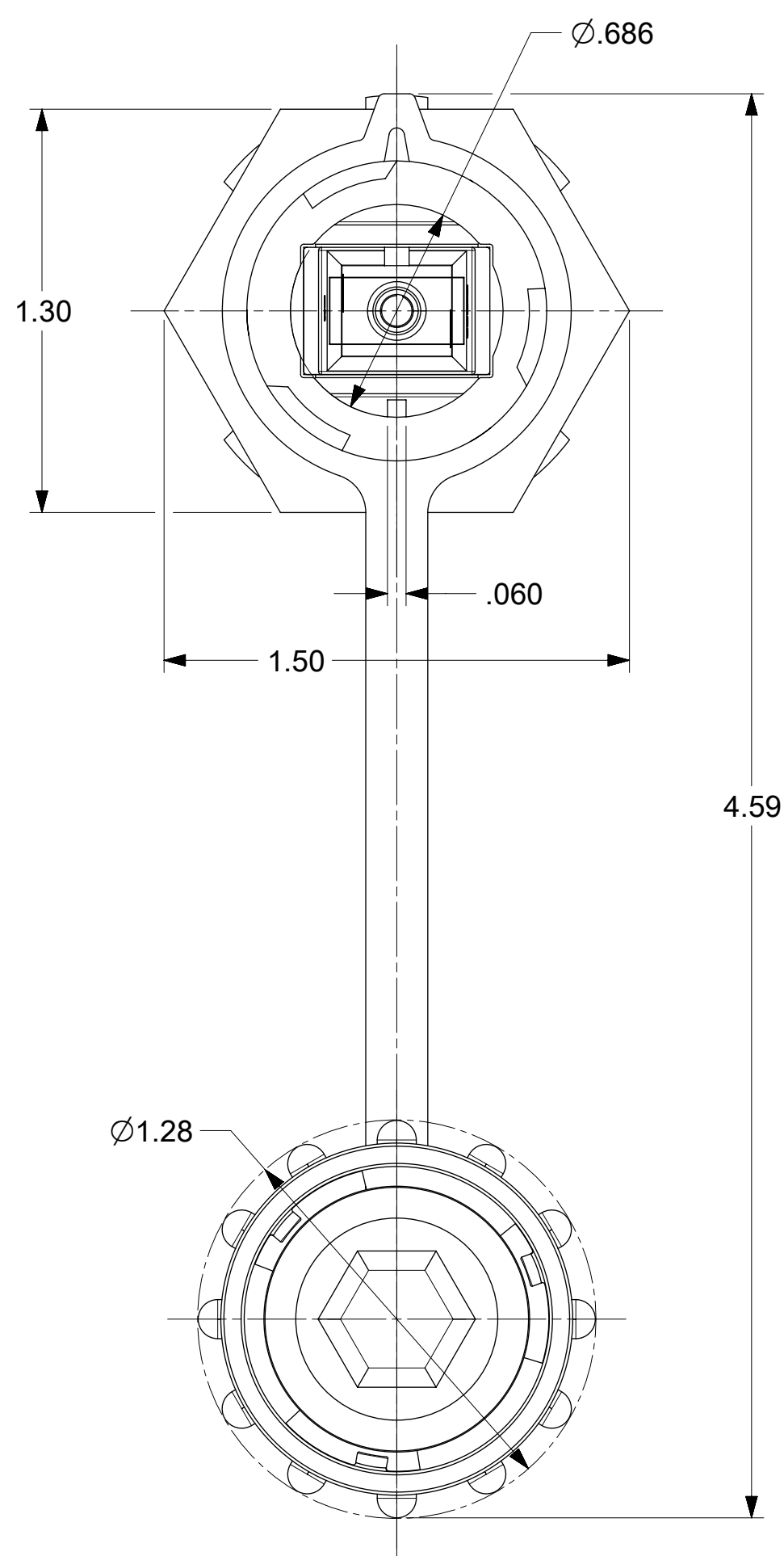
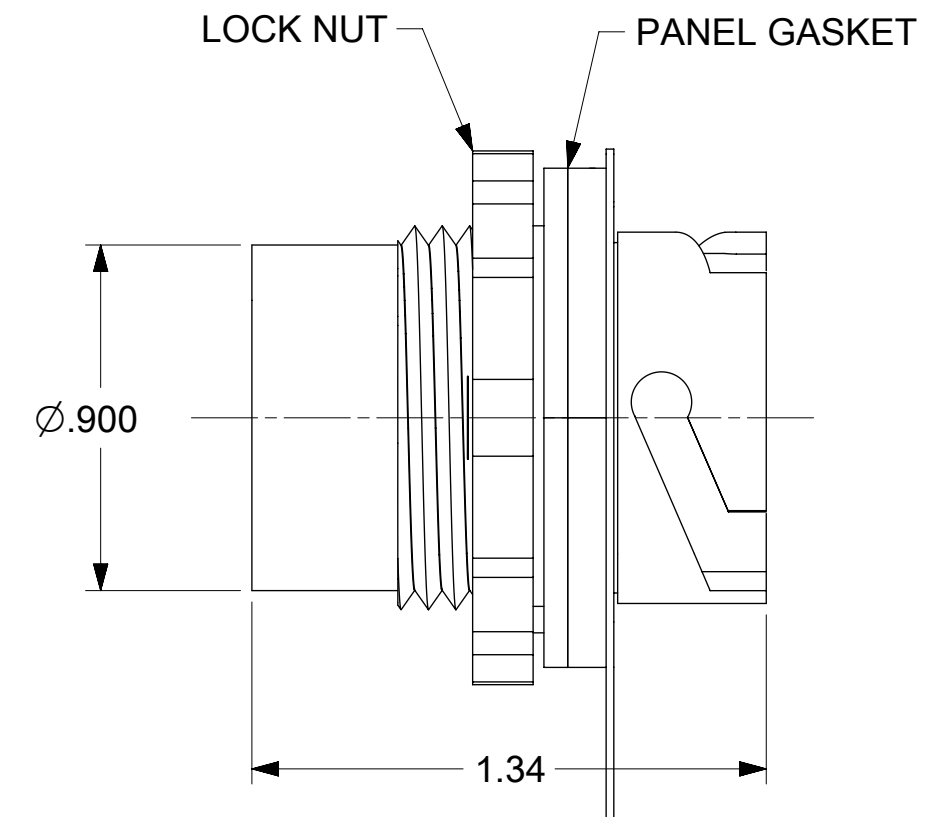
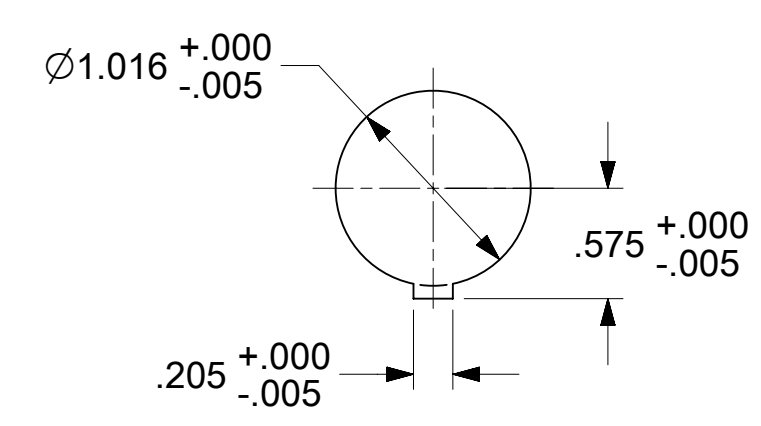


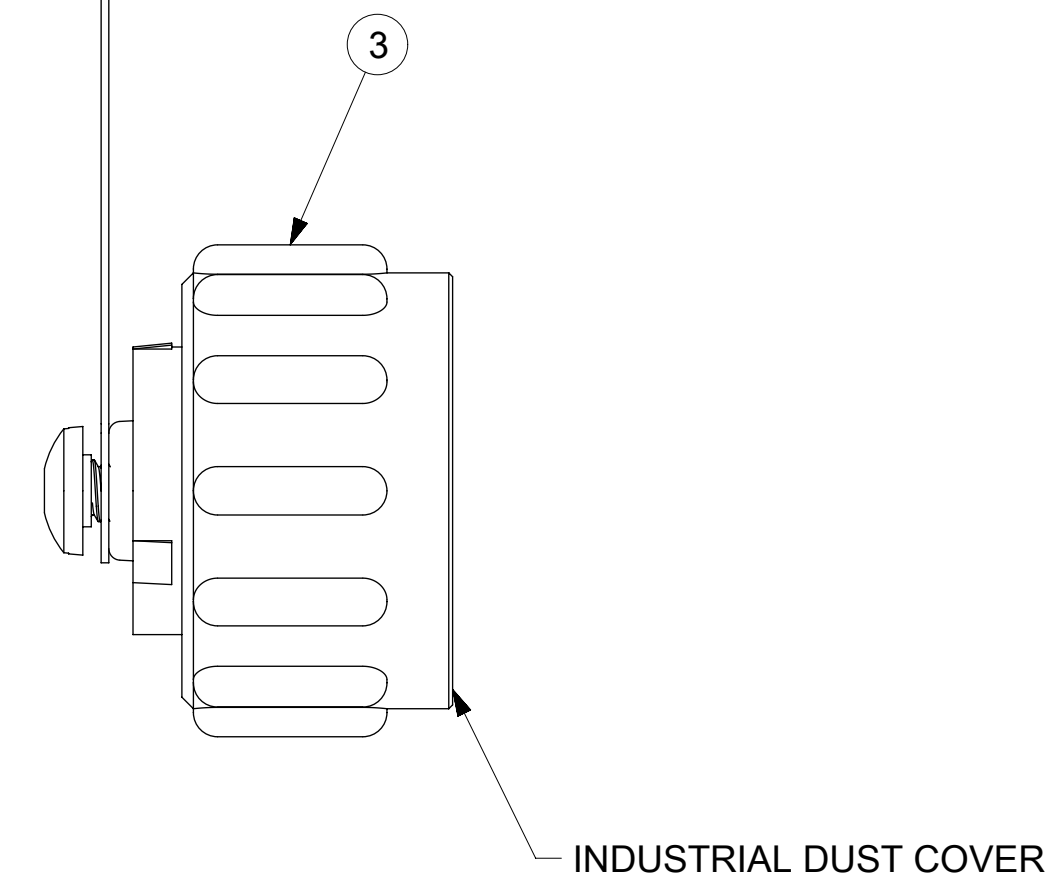
ADAPTER P/N	ADAPTER TYPE
1060592030	SINGLE MODE
1060592032	APC



ISOMETRIC VIEWS
SCALE 1:1



RECOMMENDED MOUNTING CUTOUT
SCALE: 1:1



NOTES:
1. ALL DIMENSIONS ARE FOR REFERENCE ONLY.
2. SC ADAPTER DUST CAPS ARE NOT SHOWN.

THIS DRAWING CONTAINS INFORMATION THAT IS PROPRIETARY TO MOLEX ELECTRONIC TECHNOLOGIES, LLC AND SHOULD NOT BE USED WITHOUT WRITTEN PERMISSION									
DIMENSION UNITS INCH		SCALE 2:1		CURRENT REV DESC: REMOVED OBSOLETE PART NUMBER AS PER PCN #511691				molex	
GENERAL TOLERANCES (UNLESS SPECIFIED)				EC NO: 737858		SC INDUSTRIAL ADAPTER			
		MM	INCH	DRWN: SANTHN		2023/02/13		PRODUCT CUSTOMER DRAWING	
4 PLACES		±	±	CHK'D: GGA		2023/02/24		DOCUMENT NUMBER	
3 PLACES		±	±	APPR: GGA		2023/02/24		SD-106059-203X	
2 PLACES		±	±	INITIAL REVISION:		09/07/2006		PSD 001 B	
1 PLACE		±	±	DRWN: D.B		09/07/2006		MATERIAL NUMBER	
0 PLACES		±	±	APPR: I.G		09/07/2006		CUSTOMER	
ANGULAR TOL		± 0.5 °		THIRD ANGLE PROJECTION		DRAWING		SHEET NUMBER	
DRAFT WHERE APPLICABLE MUST REMAIN WITHIN DIMENSIONS				C-SIZE		106059		SEE TABLE	
DOCUMENT STATUS		P1	RELEASE DATE	2023/02/24	09:13:37	GENERAL MARKET		1 OF 1	