

RH-LF | Guard safety ledge handles

Regular profile, aluminium



- 1
- 2
- 3
- 4
- 5
- 6
- 7
- 8
- 9
- 10
- 11
- 12
- 13
- 14
- 15
- 16
- 17
- 18

MATERIAL

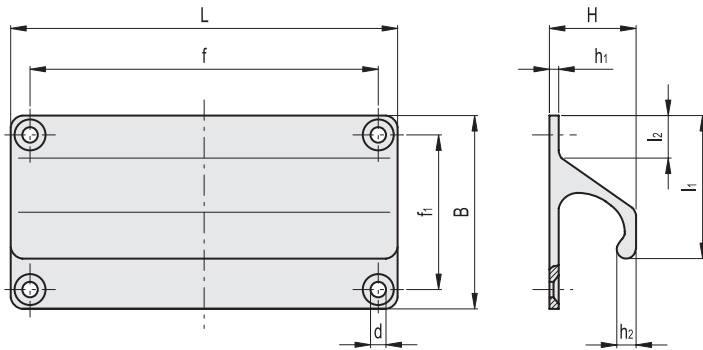
Aluminium profile, fine ground surface, black colour anodised, matte finish.

STANDARD EXECUTION

Through holes for countersunk-head screws.

SPECIAL EXECUTIONS ON REQUEST

Natural colour profile.



Conversion Table	
1 mm = 0,039 inch	
L	
mm	inch
80	3.15
100	3.94
120	4.72

METRIC

Code	f	L	B	f1	H	h1	h2	l1	l2	d	Δ
RHLF-01.068.04	68	80	60	48	27	3	6	45	13	4.5	80
RHLF-01.088.04	88	100	60	48	27	3	6	45	13	4.5	98
RHLF-01.108.04	108	120	60	48	27	3	6	45	13	4.5	120

Lift & Pull handles