



Product Description:

- Protection System - Quad Glove
- Holds disposable or reuseable gowns, aprons, or coveralls/jumpsuits, four boxes of gloves, one box of earloop masks, and one box of face shields
- Keyholes for wall mounting, or door hanger cut out for use with wall or door hanger
- Quartz Beige Powder-Coated Aluminum

Primary Area for Product Usage:

- Anywhere personal protection equipment is needed

Dispenses:

- Top left: Gowns, aprons, or coveralls/jumpsuits no larger than 14.45"W x 14.73"H x 4.48"D (36.7 cm x 37.4 cm x 11.4 cm)
- Top right: Box(es) no larger than 8.20"W x 9.65"H x 4.48"D (20.8 cm x 24.5 cm x 11.4 cm)
- Middle right: Box(es) no larger than 8.20"W x 4.98"H x 4.48"D (20.8 cm x 12.6 cm x 11.4 cm)
- Bottom: Box(es) no larger than 10.00"W x 5.38"H x 4.00"D (25.4 cm x 13.7 cm x 10.2 cm)

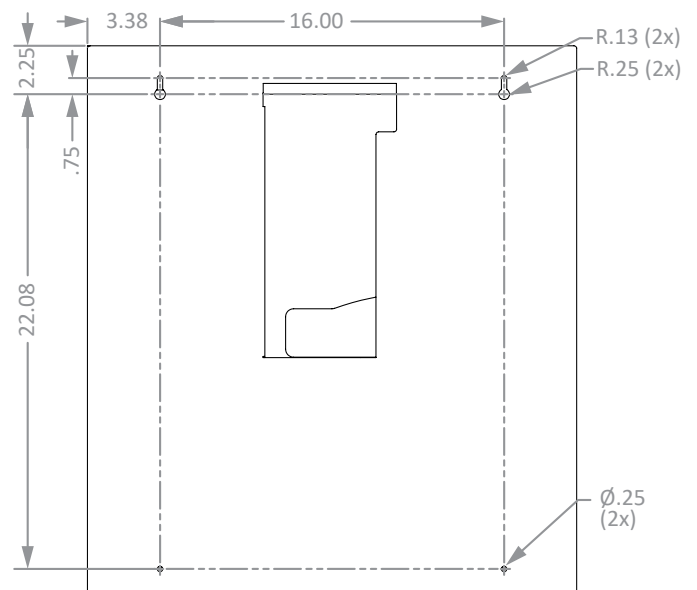
Package Specifications:

- Package Quantity: 1 per case
- 25"W x 6"H x 33"D (63.5 cm x 15.2 cm x 83.8 cm)
- 10.0 lbs (4.5 kg) - approximated

Product Specifications (overall external dimensions):

- 22.75"W x 25.63"H x 4.58"D (57.8 cm x 65.1 cm x 11.6 cm)
- 7.35 lbs (3.31 kg) - approximated

Mounting Specifications:



Related Products (each sold separately):

- PS014-0212: Protection System - Gloveless (shown below)
- PS015-0212: Protection System - Gown
- PS015-0512: Protection System - Double Gown

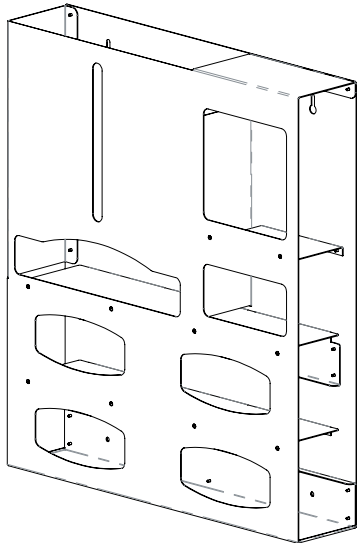




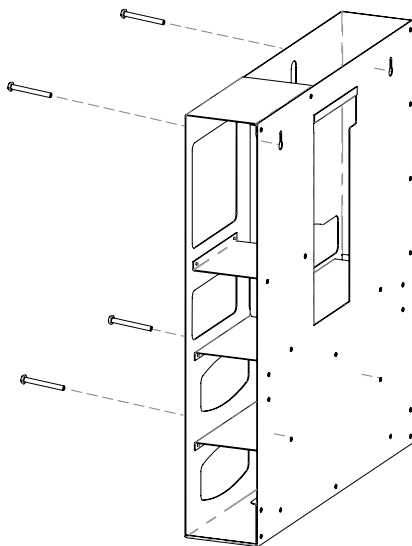
Installation

Always mount dispensers securely *prior* to loading with product.

- Mount securely to a wall with screws approved and supplied by building maintenance.



- Dispenser can be mounted onto a BOWMAN® door or wall hanger through the cutout in the back.

**Parts included:**

- Dispenser

Tools Required:

- No tools required to assemble dispenser

Care and Construction

Powder-Coated Aluminum

Material Characteristics

Designed for Long-Term, Heavy-Duty Applications

Our powder-coated aluminum dispensers resist corrosion, chips and flaking. This material will provide long-lasting products that hold up well in tough environments.

Powder-coated aluminum is ideal for dispensers used in a healthcare or an industrial setting. It is impact resistant and is not effected by extremes in temperature.

Care and Cleaning

The semi-gloss powder-coated finish resists mild chemicals and cleaning agents, such as Windex or glass cleaners.

It should be cleaned with a damp cloth or mild soap and water. Scotch-Brite, steel wool or any abrasive products should not be used.