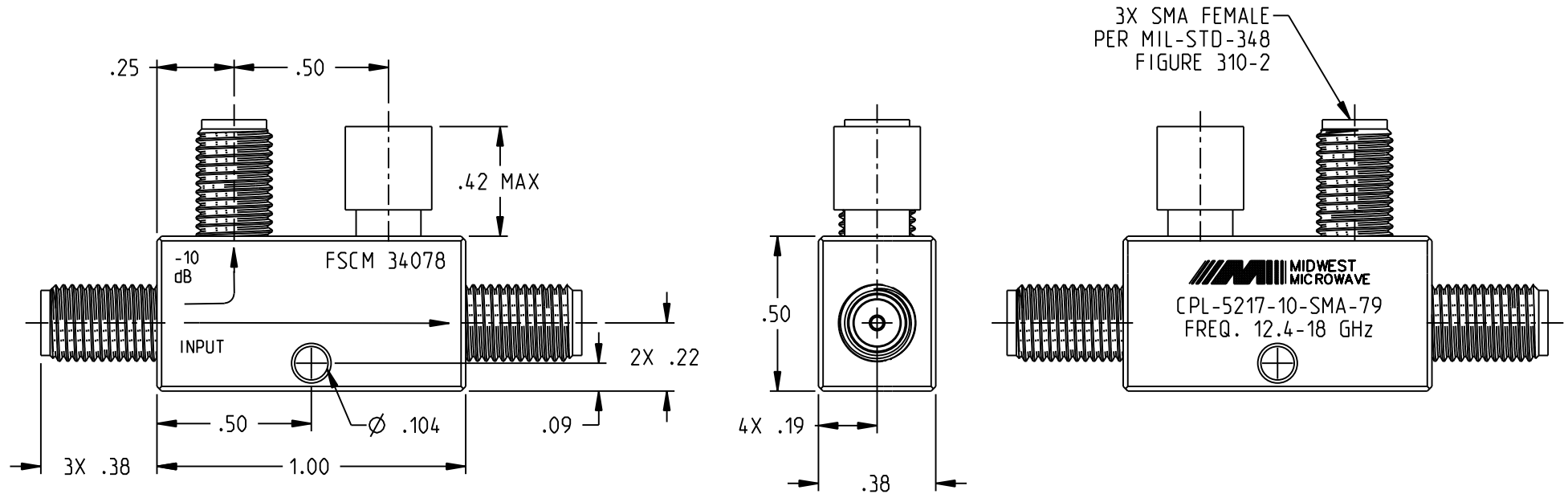


REV	ECO	DATE
-		08/09/1991
1		01/16/1992
2	57997	08/06/2021



NOTES: UNLESS OTHERWISE SPECIFIED

1. MATERIAL & FINISH:

- 1.1 HOUSING (CIRCUIT): GREY PAINT OVER CHEMICAL CONVERSION COATED ALUMINUM
- 1.2 HOUSING (CONNECTORS): PASSIVATED STAINLESS STEEL
- 1.3 HOUSING (TERMINATION): GREY PAINT OVER PASSIVATED STAINLESS STEEL
- 1.4 DIELECTRICS: PTFE (TEFLON)
- 1.5 CENTER CONDUCTORS: GOLD PLATED BERYLLIUM COPPER
- 1.6 DUST CAPS (NOT SHOWN): POLYETHYLENE

2. SPECIFICATIONS:

- 2.1 FREQUENCY RANGE: 12/4 TO 18.0 GHz
- 2.2 COUPLING: 10 ± 1.0 dB
- 2.3 FREQUENCY SENSITIVITY: ± 0.50 dB
- 2.4 VSWR (MAX): 1.45:1
- 2.5 INSERTION LOSS (MAX - EXCLUDING COUPLING LOSS): 0.5 dB
- 2.6 DIRECTIVITY (MIN): 15 dB
- 2.7 INPUT POWER:
 - AVERAGE: 10 WATTS
 - PEAK: 2 KILOWATTS
- 2.8 RF IMPEDANCE: 50 OHMS NOMINAL
- 2.9 WEIGHT (TYPICAL): 0.6 OUNCES

<p>NOTICE: The information in this drawing is PROPRIETARY and must not be used without the permission of Cinch Connectivity Solutions. It may contain data whose export is restricted. Verify status prior to exporting.</p> <p>INTERPRET DRAWING IN ACCORDANCE WITH ASME Y14.5-2018</p>	Model No:	CPL-5217-10-SMA-79	MIDWEST MICROWAVE		
	Cage Code	34078	Title: DIRECTIONAL COUPLER 10 dB, 12.4-18 GHz		
	UNLESS OTHERWISE SPECIFIED UNITS: INCH	3RD ANGLE PROJECTION	Drawing No.	REV.	
	.XX ±.02 .XXX ±.010 ANGLES ±2°	ENGINEER: J. KEREKES Date: 08/09/2021	CPL-5217-10-SMA-79-01	2	
	Size	A	DO NOT SCALE DRAWING	Workmanship Std: NONE	Sheet 1 OF 1