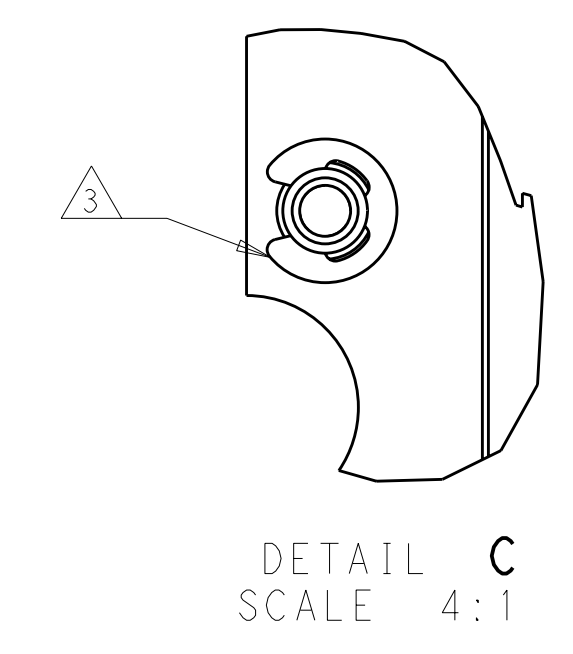
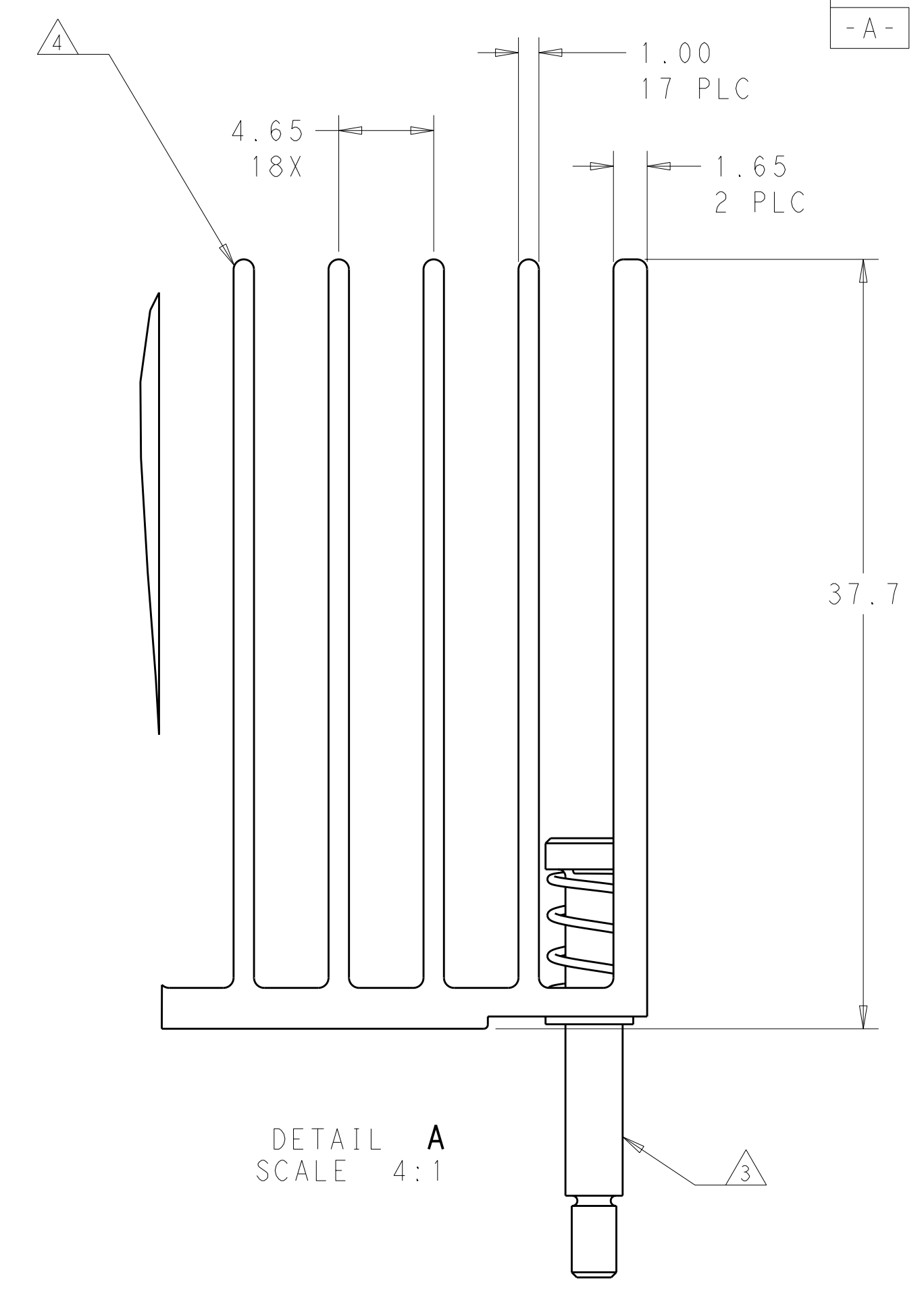
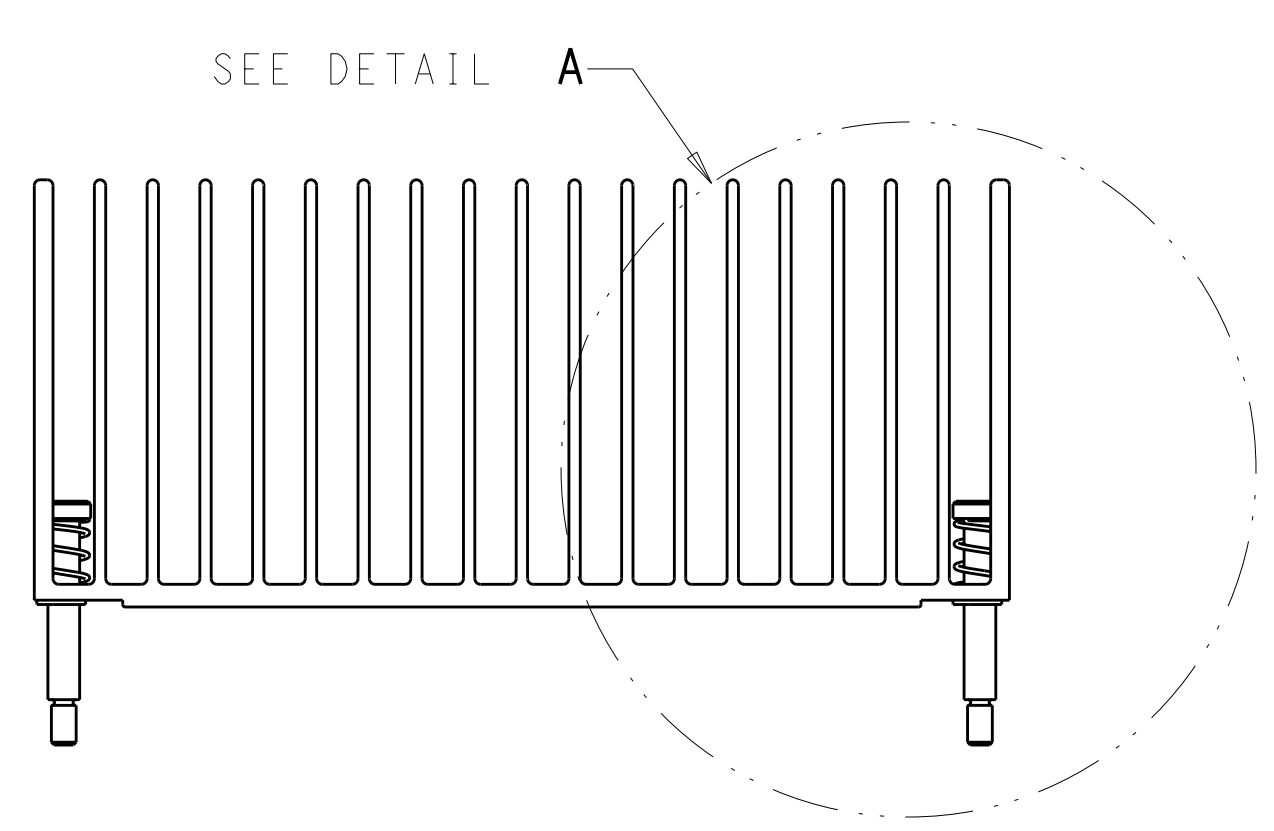
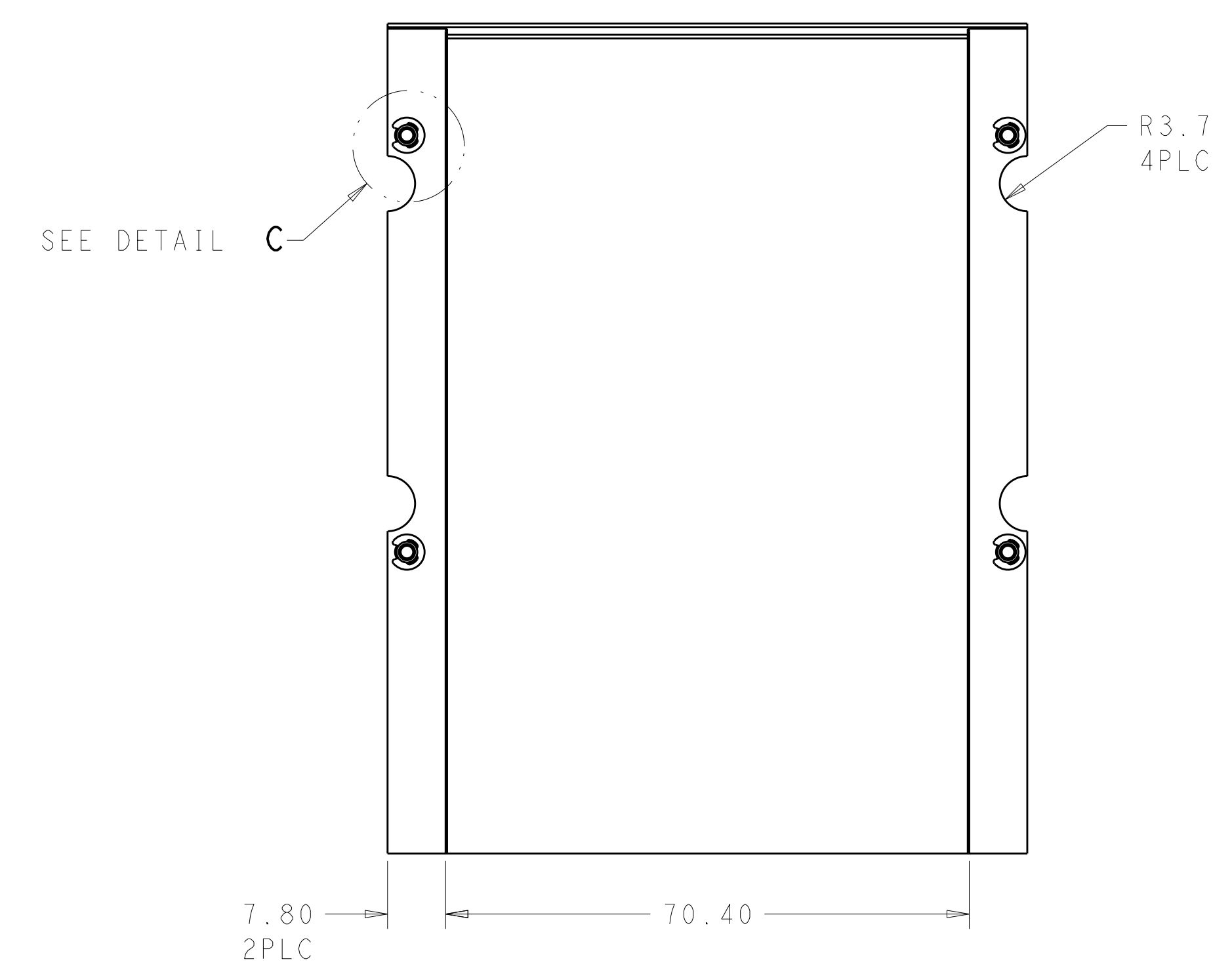
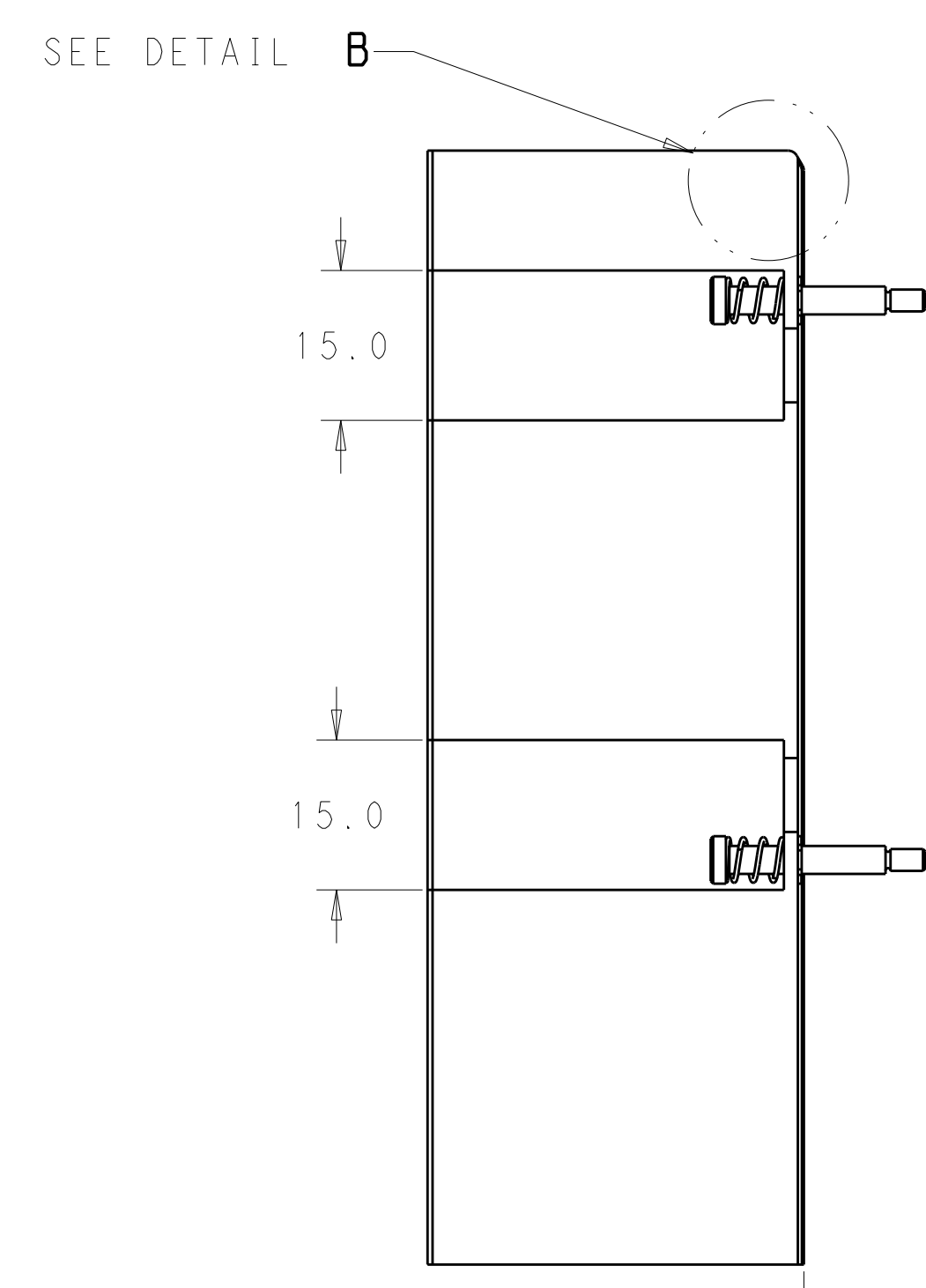
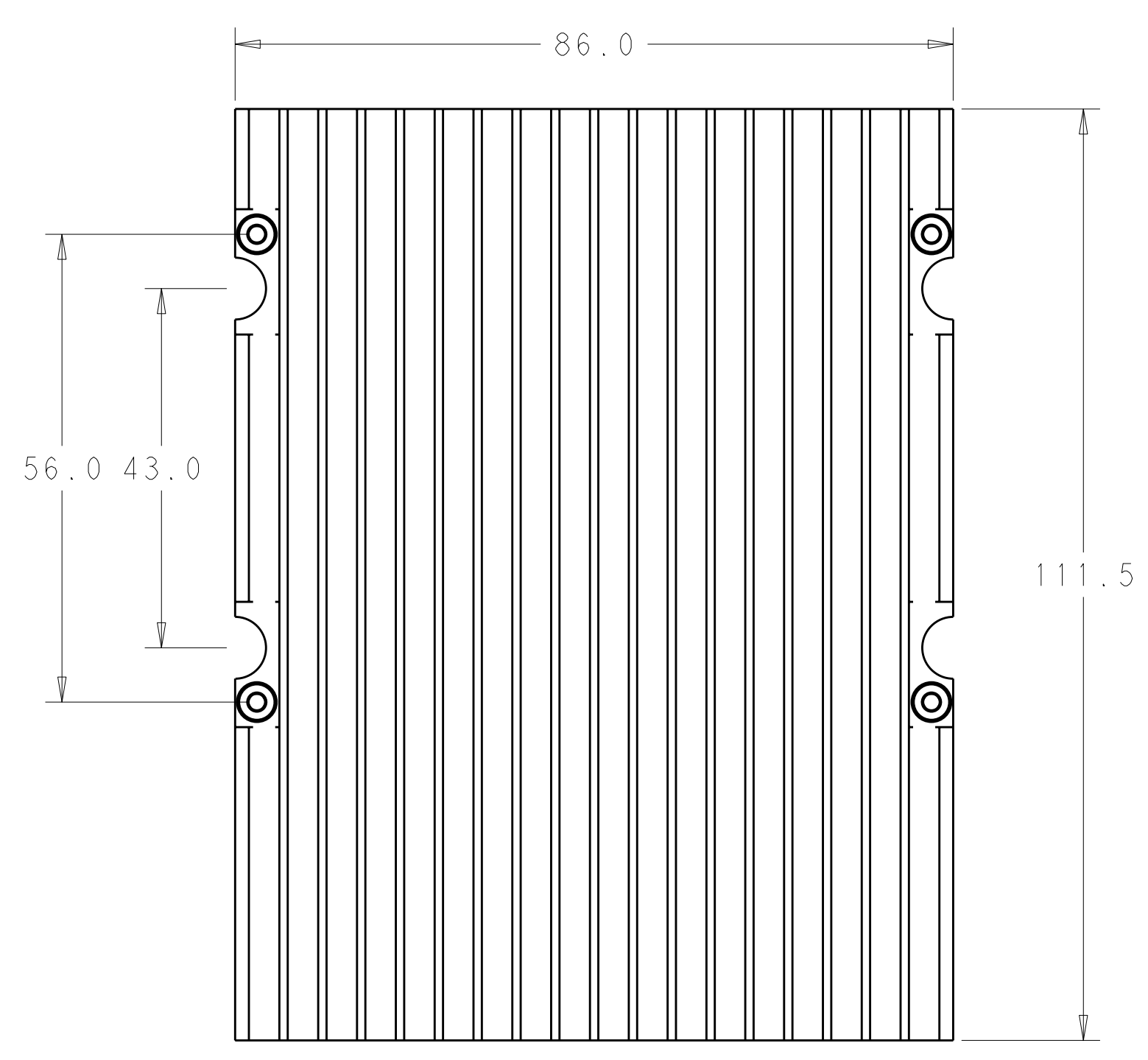
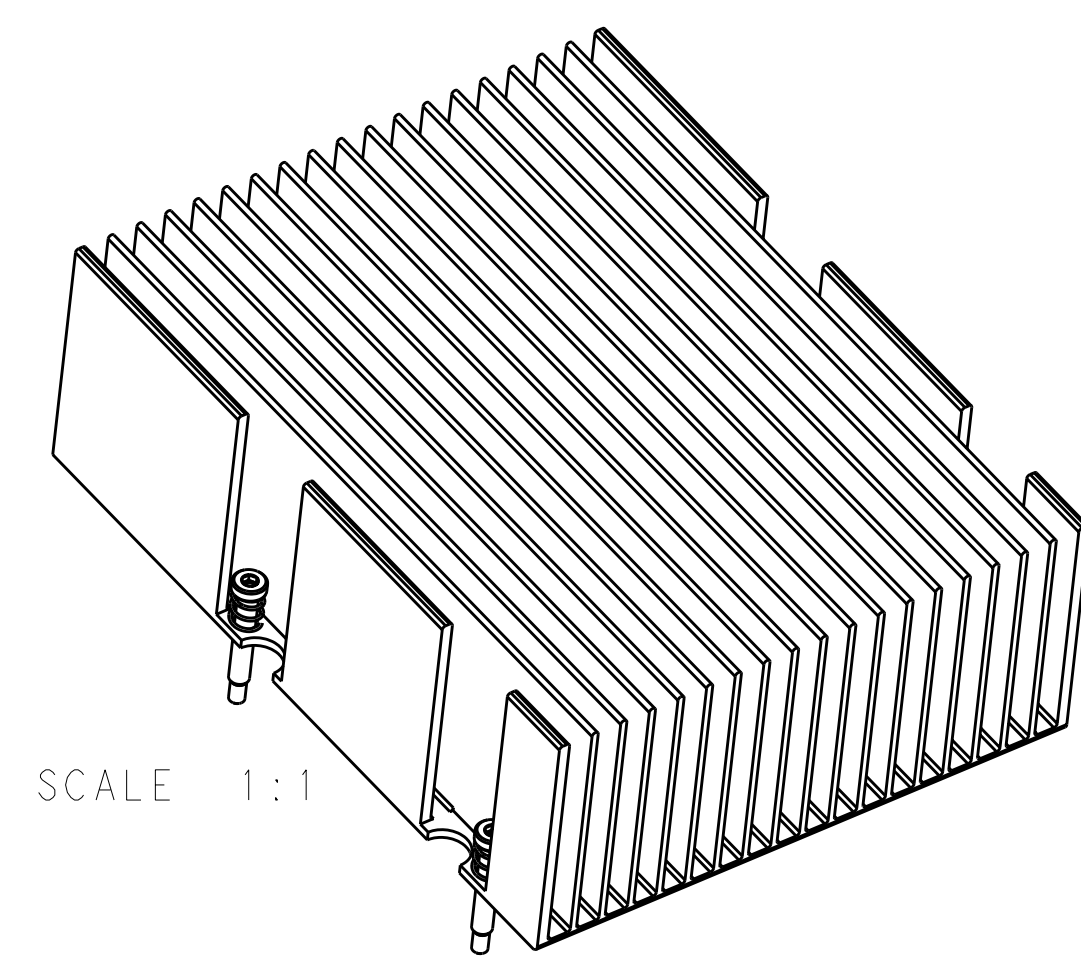
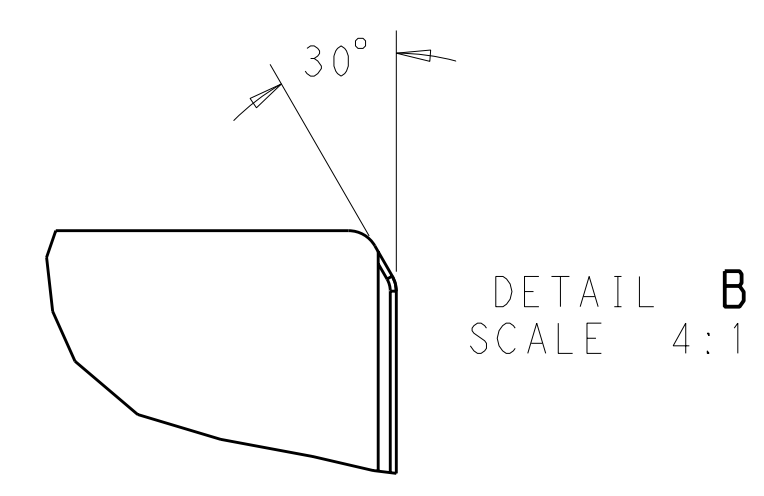


LOC	DIST	P	LTB	DESCRIPTION	DATE	DWN	APVD
-	-	1	-	DRAWING CREATION	16SEP2009	JE	JE
-	-	A	-	REMOVE UNUSED PRELIMINARY P/N'S	21SEP2009	-	JE
-	-	B	-	REVISED PER ECO-09-024638	03NOV2009	DH	JE



- ① HEATSINK MATERIAL: ALUMINUM ALLOY
- ② FINISH: ANNOIDIZED
- ③ 2-56 SHOULDER BOLT AND SPRING PRE-ASSEMBLED AND HELD IN PLACE WITH CLIP
- ④ FULL ROUND PERMITTED ON TOP OF HEATSINK FIN

2110903-2
 PART NUMBER

DIMENSIONS: mm 		TOLERANCES UNLESS OTHERWISE SPECIFIED: 9 PLC ±.5 1 PLC ±0.5 2 PLC ±0.13 3 PLC ±0.013 4 PLC ±0.001 ANGLES ±.001		DWN 17SEP2009 CHK J EARY APVD - NAME Tyco Electronics Harrisburg, PA 17105-3608 PRODUCT SPEC APPLICATION SPEC SIZE CAGE CODE DRAWING NO WEIGHT CUSTOMER DRAWING		Tyco Electronics Harrisburg, PA 17105-3608 NAME 100 GIG CFP HEAT SINK FINS PARALLEL TO MATING DIRECTION SIZE CAGE CODE DRAWING NO A100779C=2110903 GOOG SCALE 3:2 SHEET 1 OF 1 REV B	
-----------------------	--	--	--	--	--	---	--