



A Division of ISSI

T40A Smart Video Application Processor

DATA SHEET

Important Notice

This document and its content are believed to be correct at time of writing. Integrated Silicon Solution Inc. ("ISSI") reserves the right to make changes to this document, its content or any ISSI products, at its discretion, any time without notice. The text and graphics are for the purpose of illustration and reference only. Please confirm that you have the most current documentation.

No part of this document shall be deemed to be part of any contract or warranty unless specifically incorporated by reference into such contract or warranty. This document, its content and any products including without limitation any ISSI products or any product you create using the information contained herein ("Products"), are provided "AS IS" without warranties of any kind, express or implied, including but not limited to, any implied warranties of merchantability, satisfactory quality, fitness for a particular purpose or non-infringement. ISSI makes no warranties regarding any standard compliance or as to the accuracy, completeness or reliability of this document, its content, or Products, or that the operation of any Products will be uninterrupted or error-free. No advice or information, whether oral or written, obtained by you using this document may be relied upon, or shall create any warranty. Any use of this document and the information contained herein or obtained through the use of this document, or any Product, is done at your sole risk and responsibility. Unless otherwise agreed, ISSI shall not be liable for any damage or loss arising as a result of or in connection with the use of this document, its content or any Product, including without limitation, consequential, punitive, indirect or direct damages.

This document, its content and any Products contain proprietary and confidential material of ISSI, its affiliates or licensors, and may also be covered under a separate non-disclosure agreement between ISSI and you. Do not copy, use or disclose this document, its content or any Products unless and to the extent you have been given specific written authorization from ISSI. Any unauthorized reproduction, use or disclosure of this document, its content, or any part thereof, or any Product will result in economic loss and is strictly prohibited.

Any references in this document to third party products or material are provided for convenience only, and do not in any manner serve as an endorsement of that third party products or material, and ISSI has no liability therefor. The information contained herein is merely descriptive in nature, and does not constitute or imply a promise or intention, to make any offer for the sale or license of any Products, or otherwise to enter into any other business and/or any legal relationship.

All company and brand products and service names are trademarks or registered trademarks of their respective holders. The use of any third party trademarks or company names does not imply an endorsement by those third parties, or any commercial relationship between ISSI and such third parties.

Copyright © 2011 Integrated Silicon Solution Inc. All rights reserved.

History

Version	Date	Author	Description
Rev 1.0			Initial

Table of Contents

Contents

- List of Figures..... 6
- List of Tables..... 6
- Introduction..... 8
- 1 Overview..... 9
 - 1.1 Block Diagram..... 9
 - 1.2 Features.....9
 - 1.2.1 CPU..... 9
 - 1.2.2 MCU.....10
 - 1.2.3 AI Engine..... 10
 - 1.2.4 AI Co-Processing Unit(AIU)..... 10
 - 1.2.5 Video Processor Unit(VPU)..... 10
 - 1.2.6 Image Signal Processor(ISP)..... 10
 - 1.2.7 Display Process Controller(DPU)..... 11
 - 1.2.8 Video Input and Output..... 11
 - 1.2.9 Audio System..... 11
 - 1.2.10 Memory Interface..... 12
 - 1.2.11 System Functions..... 12
 - 1.2.12 Peripherals..... 14
 - 1.2.13 Bootrom..... 16
 - 1.3 Characteristic..... 16
- 2 Packaging and Pinout Information..... 16
 - 2.1 Overview..... 16
 - 2.2 Solder Process..... 16
 - 2.3 Moisture Sensitivity Level..... 16
 - 2.4 T40A Package..... 17
 - 2.5 Pin Description..... 21
 - 2.5.1 Static Memory/DVP/I2Cx/UARTx/DMIC..... 21
 - 2.5.2 SFC..... 24
 - 2.5.3 MSCx/GMAC/PWMx/UARTx/I2Cx/SSI1/I2S..... 24
 - 2.5.4 UARTx/PWMx/SSI0..... 27
 - 2.5.5 UARTx/CIMx/PWMx/I2Cx/MS1/DMIC/SSI1/SSI_SLV/I2S..... 27

2.5.6 DPU/SSI_SLV/PWMx/JTAG/I2C1/UART3.....	29
2.5.7 System Boot Select.....	32
2.5.8 System Control.....	32
2.5.9 Digital IO/CORE Power/Ground.....	33
2.5.10 DDR PHY IO/Power Supply.....	34
2.5.11 USB 2.0 PHY IO/Power Supply.....	36
2.5.12 MIPI Rx and Tx IO/Power Supply.....	37
2.5.13 Successive Approximation ADC(SAR-ADC) IO/Power Supply.....	38
2.5.14 Audio CODEC IO and Power Supply.....	38
2.5.15 OTP Power Supply.....	39
2.5.16 OSC and PLL IO/Power Supply.....	39
3 Electrical Specifications.....	40
3.1 Absolute Maximum Ratings.....	40
3.2 Recommended operating conditions.....	40
3.3 General Purpose Input/Output(GPIO).....	41
3.3.1 Power Domain VDDIO0 DC Characteristics.....	42
3.3.2 Power Domain VDDIO1 DC Characteristics.....	43
3.3.3 Power Domain VDDIO2 DC Characteristics.....	44
3.4 Audio Codec.....	45
3.4.1 Electrical Characteristics.....	45
3.4.2 Analog Interface Description.....	46
3.5 MIPI Tx D-PHY.....	47
3.5.1 DC Specifications.....	47
3.5.2 AC Specifications.....	48
3.6 MIPI Rx D-PHY.....	50
3.6.1 DC Specifications.....	50
3.6.2 AC Specifications.....	50
3.7 USB 2.0 OTG PHY.....	51
3.7.1 DC/AC Specifications.....	51
3.8 Power On, Reset and BOOT.....	54
3.8.1 Power-On Timing.....	54
3.8.2 Reset procedure.....	56
3.8.3 BOOT.....	56

All headers using text styles Header 1, 2, 3, 4 will show up here

Click on table until it turns grey > Update table > Update entire table to populate your entries.

List of Figures

FIGURE1- 1	T40A DIAGRAM.....	9
FIGURE2- 1	T40A PACKAGE OUTLINE DRAWING.....	17
FIGURE2- 2	T40A PIN TO BALL ASSIGNMENT(PART 1).....	18
FIGURE2- 3	T40A PIN TO BALL ASSIGNMENT(PART 2).....	19
FIGURE2- 4	T40A PIN TO BALL ASSIGNMENT(PART 3).....	20
FIGURE2- 5	T40A PIN TO BALL ASSIGNMENT(PART 4).....	21
FIGURE3- 1	SINGLE ENDED SIGNAL SWING DIFFERENTIAL SIGNAL SWING.....	53
FIGURE3- 2	POWER-ON TIMING DIAGRAM.....	55
FIGURE3- 3	BOOT SEQUENCE DIAGRAM OF T40A.....	57

Right Click on above list so it turns grey > Update Field > Update entire table to add new figures

(see page 8 for instructions on how to automate populating list)

List of Tables

TABLE2- 1	STATIC MEMORY/DVP/I2CX/UARTX/DMIC PINS(23).....	21
TABLE2- 2	SFC PINS(6).....	24
TABLE2- 3	MSCX/GMAC/PWMX/UARTX/I2CX/SSI1/I2S PINS (31).....	24
TABLE2- 4	UARTX/ PWMX/SSI0(6).....	27
TABLE2- 5	UARTX/CIMX/PWMX/I2CX/MSC1/DMIC/SSI1/SSI_SLV/I2S(24).....	27
TABLE2- 6	DPU/SSI_SLV/PWMX/JTAG/I2C1/UART3 PINS(2).....	29
TABLE2- 7	BOOT SELECT PINS(2).....	32
TABLE2- 8	SYSTEM CONTROL PINS(5).....	32
TABLE2- 9	DIGITAL IO/CORE POWER SUPPLIES PINS (7).....	33
TABLE2- 10	DDR PHY IO/POWER SUPPLY PINS (6).....	34
TABLE2- 11	USB 2.0 PHY IO/POWER SUPPLY PINS(8).....	36
TABLE2- 12	MIPI RX AND TX IO/POWER SUPPLY PINS(28).....	37
TABLE2- 13	SUCCESSIVE APPROXIMATION ADC(SAR-ADC) IO/POWER SUPPLY PINS (7).....	38
TABLE2- 14	AUDIO CODEC IO AND POWER SUPPLY PINS (9).....	38
TABLE2- 15	OTP POWER SUPPLY PINS (1).....	39
TABLE2- 16	OSC AND PLL IO/POWER SUPPLY PINS (5).....	39

TABLE3- 1 ABSOLUTE MAXIMUM RATINGS..... 40

TABLE3- 2 RECOMMENDED OPERATING CONDITIONS FOR POWER SUPPLIES..... 40

TABLE3- 3 RECOMMENDED OPERATING CONDITIONS FOR VDDIO0/VDDIO1/VDDIO2 SUPPLIED PINS..... 41

TABLE3- 4 RECOMMENDED OPERATING CONDITIONS FOR OTHERS..... 41

TABLE3- 5 HS TRANSMITTER DC SPECIFICATIONS..... 47

TABLE3- 6 LP TRANSMITTER DC SPECIFICATION..... 47

TABLE3- 7 HS TRANSMITTER AC SPECIFICATIONS..... 48

TABLE3- 8 LP TRANSMITTER AC SPECIFICATIONS..... 48

TABLE3- 9 HS RECEIVER DC SPECIFICATIONS..... 50

TABLE3- 10 LP RECEIVER DC SPECIFICATION..... 50

TABLE3- 11 HS RECEIVER AC SPECIFICATIONS..... 50

TABLE3- 12 LP RECEIVER AC SPECIFICATIONS..... 51

TABLE3- 13 TRANSMITTER SPECIFICATION..... 51

TABLE3- 14 RECEIVER SPECIFICATIONS..... 52

TABLE3- 15 REFERENCE SPECIFICATION..... 53

TABLE3- 16 CLOCK AND DATA RECOVERY SPECIFICATION..... 53

TABLE3- 17 VBUS DC PARAMETERS..... 53

TABLE3- 18 POWER-ON TIMING PARAMETERS..... 54

TABLE3- 19 BOOT CONFIGURATION OF T40A..... 56

Right Click on above list so it turns grey > Update Field > Update entire table to add new tables

(see page 7 for further instructions on how to automate populating list)

Introduction

T40A is a smart video application processor targeting for video devices like mobile camera, security survey, video talking, video analysis and so on. This SoC introduces a kind of innovative architecture to fulfill both high performance computing and high quality image and video encoding requirements addressed by video devices. T40A provides high-speed CPU computing power, excellent image signal process, fluent 3840x2160 resolution video recording.

The CPU (Central Processing Unit) core, equipped with 32kB instruction and 32kB data L1 cache, and 128kB~1024kB configurable L2 cache, operating at 1.0GHz, and full feature MMU function performs OS related tasks. At the heart of the CPU core is XBurst®-2 processor engine. XBurst®-2 is an industry leading microprocessor core which delivers superior high performance and best-in-class low power consumption. A hardware floating-point unit which compatible with IEEE754 2008 and MIPS32 ISA R5 plus MIPS SIMD instruction set architecture:512bit MSA also included.

The VPU (Video Processing Unit) core is a video encoder engine designed to process video streams using the HEVC(ISO/IEC 23008-2 High Efficiency Video Coding) and AVC(ISO/IEC 14496-10 Advanced Video Coding) standards. It also supports still picture encoding using the JPEG standard(ITU T.81). Together with the on chip video accelerating engine and post image processing unit, T40A delivers high video performance. The maximum resolution of 4096x4096 in the format of AVC are supported in encoding. Up to 40Mbit/s for H.264, 20Mbit/s for H.265, 1080P@60fps.

The ISP (Image signal processor) core supports excellent image process with the image from up to 3 sensors. Supports DVP, MIPI and TOF sensors. With the functions, such as 3A, 2D and 3D denoise, WDR/HDR, lens shading and so on. It can supply maximum resolution 3840x2160 resolution image for view or encoding to store or transfer.

On-chip modules such as audio CODEC, multi-channel SAR-ADC controller and camera interface offer designers a economical suite of peripherals for video application. WLAN, Bluetooth and expansion options are supported through high-speed SPI and eMMC/SD/SDIO host controllers. Other peripherals such as USB OTG, MAC, UART and SPI as well as general system resources provide enough computing and connectivity capability for many applications.

1 Overview

1.1 Block Diagram

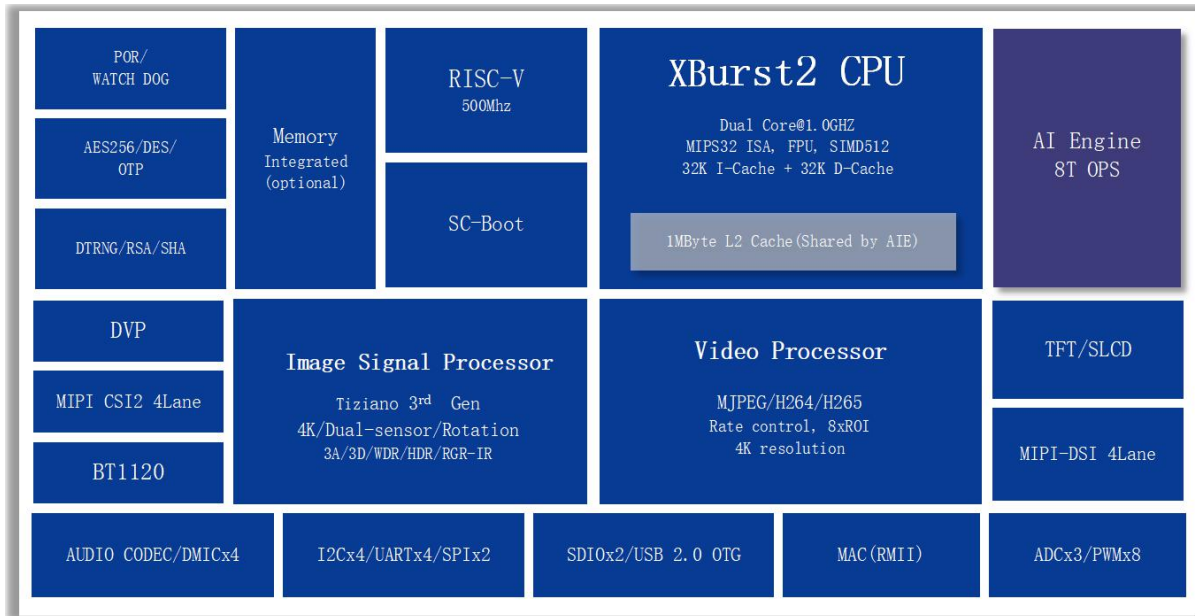


Figure1- 1 T40A Diagram

1.2 Features

1.2.1 CPU

- XBurst@2 up to 1.0GHz, Dual Core, Dual-issue, high performance and low power implementation of MIPS32 ISA R5
- MIPS32 ISA R5 plus Ingenic SIMD512 ISA
- Dual-issue, superscalar, super pipeline with Simultaneous Multi-Threading(SMT)
 - Two hardware threads per physical core
 - Quad instruction fetches per cycle
 - Dual issue instructions per cycle per thread
- 32K L1 D cache + 32K L1 I cache, 128~1024K L2 cache
- High-performance Floating-point Unit and SIMD Engine: FSE
 - 32x512-bit register set, 512-bit loads/stores to/from SIMD unit
 - IEEE-754 2008 compliant
- Programmable Memory Management Unit(MMU)
 - 1st level mini-TLBs(MTLBs)-8x2 entry instruction TLB, 16x2 entry data TLB
 - 2nd level TLBs:32x2 entry VTLB, 256x2 entry 4-way set associative FTLB
- The XBurst@2 processor system supports little endian only

1.2.2 MCU

- 500MHz RISC-V coprocessor
- 32bit, in-order, 5-stage pipeline core
- 32K L1-cache and 32K L1 D-cache
- RV32IM instruction set architecture

1.2.3 AI Engine

- Built-in neural network accelerator
- Typical Performance: 8TOPS
- Support int16/int8/int4/int2 bit width
- Shared 1MB memory pool
- Magik AI algorithm develop platform available

1.2.4 AI Co-Processing Unit(AIU)

- Color conversion
- Resize
- Hardware matrix operations

1.2.5 Video Processor Unit(VPU)

- Support H.264/H.265/JPEG combo Encoder
- Real-time H.256/H.264 encoding capabilities:3840x2160@30fps
- Support maximum resolution up to 4096x4096
- JPEG snapshot at 8 megapixels

1.2.6 Image Signal Processor(ISP)

- Support up to 3 sensors
- Support MIPI and DVP interface sensor
- Support maximum resolution 3840x2160
- 3A (Auto Exposure/Auto White Balance/Auto Focus) and able to output the statistical information
- Green equalization
- Black level correction
- Lens Shading Correction
- Lens Distortion Correction
- Dynamic/Static Defect pixel correction
- Demosaic
- 2D/3D Color Correction
- Gamma Correction
- Brightness/Contrast/Saturation/Hue Adjustment

- Adaptive Dynamic Range Compression
- Defog, WDR
- Adaptive Local Contrast Enhancement
- Sharpen
- 2D/3D Denoise
- Chroma Noise Reduction
- 3 Independent Image Scale Up/Down Engine
- Crop, Mirror and Flip

1.2.7 Display Process Controller(DPU)

- MIPI-DSI4 interface
 - Display size up to 1920x1080@60Hz
- SLCD controller
 - Display size up to 640x480@60Hz,24BPP
 - Support different size of display panel
- RGB controller
 - Display size up to 1280x720@60Hz,24BPP
 - Supports input format, ARGB8888, ARGB1555, RGB888, RGB565, RGB555, YUV422, YUV420
 - Support 4 modes parallel interface, 24-bit, 18-bit, 16-bit and 8-bit(third times)
 - Support frame buffer crop and dither

1.2.8 Video Input and Output

- Video Input
 - Support 8/10/12 bit RGB Bayer input
 - Support DVP, BT1120(serial model)/BT656/BT601
 - Support MIPI CSI (lane up to 1.5Gbps, and support one 4-Lane or two 2-Lane sensor)
 - Support maximum:3840x2160@30fps
 - Support up to 3 sensor inputs (DVP/BT, two CSI 2lane)
- Video output
 - Support BT656 serial/parallel mode
 - Support BT1120 serial/parallel mode
 - Support MIPI DSI 4lane

1.2.9 Audio System

- Integrated Audio Codec
 - 24 bits DAC with 93dB SNR
 - 24 bits ADC with 92dB SNR
 - Support signal-ended and differential microphone input and line input

- Automatic Level Control (ALC) for smooth audio recording
- Pure logic process: no need for mixed signal layers and less mask cost
- Programmable input and output analog gains
- Digital interpolation and decimation filter integrated
- Sampling rate 8K/12K/16K/24K/32/44.1K/48K/96K
- Digital MIC controller
 - 16 bits data interface and 20bit precision internal controller
 - SNR:90dB, THD:-90dB @ FS -20dB
 - Linear high pass filter include. Attenuation: -2.9dB@100Hz, -22dB@27Hz, -36dB@10Hz
 - Low power voice trigger when waiting to start talking
 - 1/2/3/4 channel digital MIC support
 - Support voice data pre-fetch when trigger enable and the data interface disable, but do not increase the power dissipation
 - Sample frequency supported: 8K, 16K
 - Support low power mode, user for decrease DMIC sensor and DMIC controller power dissipation
- Standard Audio I2S Interface
 - 16,20 and 24 bit audio sample data sizes supported, 16 bits packed sample data is supported
 - DMA transfer mode supported
 - Stop serial clock supported
 - Support mono PCM data to stereo PCM data expansion on audio play back
 - Support endian switch on 16-bits normal audio samples play back
 - Internal programmable or internal serial clock and optional system clock supported for I2S or MSB-Justified format
 - Two FIFOs for transmit and receive respectively
 - Support different sample rate for transmit and receive
 - Support echo cancellation function in the condition of the same sample rate in transmit and receive

1.2.10 Memory Interface

- Support up to size 2GB KGD and DDR2, DDR3, DDR3L

1.2.11 System Functions

- Clock generation and power management
 - On-chip 12/24/48MHZ oscillator circuit
 - One four-chip phase-locked loops (PLL) with programmable multiplier
 - CCLK, HHCLK, H2CLK, PCLK, H0CLK, DDR_CLK, VPU_CLK frequency can be changed separately for software by setting registers
 - SSI clock supports 50M clock
 - MSC clock supports 100M clock

- Functional-unit clock gating
- Shut down power supply for CPU, ISP, VPU, IPU
- Timer and counter unit with PWM output and/or input edge counter
 - Provide eight separate channels, six of them have input signal transition edge counter
 - 16-bit A counter and 16-bit B counter with auto-reload function every channel
 - Support interrupt generation when the A counter underflow
 - Three clock sources: RTCLK (real time clock), EXCLK (external clock input), PCLK (APB Bus clock) selected with 1, 4, 16, 64, 256 and 1024 clock dividing selected
 - Every channel has PWM output
- OS timer controller
 - 64-bit counter and 32-bit compare register
 - Support interrupt generation when the counter matches the compare register
 - Two clock sources: RTCLK (real time clock), HCLK (system bus clock) selected with 1, 4, 16, 64, 256 and 1024 clock dividing selected
- Interrupt controller
 - Total 64 interrupt sources
 - Each interrupt source can be independently enabled
 - Priority mechanism to indicate highest priority interrupt
 - All the registers are accessed by CPU
 - Unmasked interrupts can wake up the chip in sleep mode
 - Another set of source, mask and pending registers to serve for PDMA
- Watchdog timer
 - Generates WDT reset
 - A 16-bit Data register and a 16-bit counter
 - Counter clock uses the input clock selected by software
- PCLK, EXTAL and RTCLK can be used as the clock for counter
- The division ratio of the clock can be set to 1, 4, 16, 64, 256 and 1024 by software
- Direct memory access controllers
 - Support up to 32 independent DMA channels
 - Descriptor or No-Descriptor Transfer mode compatible with previous JZ SoC
 - Transfer data units: 1-byte, 2-byte, 4-byte, 16-byte, 32-byte, 64-byte, 128-byte
 - Transfer number of data unit: $1 \sim 2^{24} - 1$
 - Independent source and destination port width: 8-bit, 16-bit, 32-bit
 - Fixed three priorities of channel groups: 0~3, highest; 4~11: mid; 12~31: lowest
 - An extra INTC IRQ can be bound to one programmable DMA channel
- SAR A/D Interface
 - 4 single-ended input channels and 4 Standard I/O cell multiplexed
 - 12-bit resolution, up to 2MS/s sampling rate
 - $DNL < 1LSB, INL < 2LSB$
 - Max Frequency: 24MHz
 - Current consumption: 2.5mA@2MS/s
- OTP Slave Interface

- Total 2048 bits. and used as 1024 bits for safe
- Power On Reset(POR)
 - Provides reliable reset function for general applications
 - Monitor 1.8V supply for IO and 0.95V for core
 - Typical 1.35V threshold for 1.8V supply
 - Typical 0.6V threshold for 0.95V supply

1.2.12 Peripherals

- General-Purpose I/O ports
 - Input/output/function port configurable
 - Low/high, rising/falling edge triggering. Every interrupt source can be masked independent
 - four interrupts, each interrupt corresponds to the group, to INTC
- Four I2C Controller(SMB0, SMB1, SMB2, SMB3)
 - Two-wire I2C serial interface – consists of a serial data line (SDA) and a serial clock (SCL)
 - Three speeds mode
 - Standard mode (100 Kb/s)
 - Fast mode (400 Kb/s)
 - High speed mode(3.4Mb/s)
 - Programmable SCL generator
 - Master or slave I2C operation
 - 7-bit addressing/10-bit addressing
 - The number of devices that you can connect to the same I2C-bus is limited only by the maximum bus capacitance of 400pF
- One High Speed Synchronous serial interfaces (SFC)
 - 3 protocols support: National's Microwire, TI's SSP, and Motorola's SPI
 - transmit-only or receive-only operation
 - MSB first for command and data transfer, and LSB first for address transfer
 - 64 entries x 32 bits wide data FIFO
 - one device select
 - Configurable sampling point for reception
 - Configurable timing parameters: t_{SLCH} , t_{CHSH} and t_{SHSL}
 - Configurable flash address wide are supported
 - transfer formats: Standard SPI only
 - two data transfer mode: slave mode and DMA mode
 - Configurable 6 phases for software flow
- Normal Speed Synchronous serial interfaces (SSI0, SSI1)

- 3 protocols support: National's Microwire, TI's SSP, and Motorola's SPI
 - Full-duplex or transmit-only or receive-only operation
 - Programmable transfer order: MSB first or LSB first
 - 128 entries deep x 32 bits wide transmit and receive data FIFOs
 - Configurable normal transfer mode or Interval transfer mode
 - Programmable clock phase and polarity for Motorola's SSI format
 - Back-to-back character transmission/reception mode
 - Loop back mode for testing
- Four UARTs (UART0, UART1, UART2, UART3)
 - Full-duplex operation
 - 5-, 6-, 7- or 8-bit characters with optional no parity or even or odd parity and with 1, 1½, or 2 stop bits
 - 64x8 bit transmit FIFO and 64x11bit receive FIFO
 - Independently controlled transmit, receive (data ready or timeout), line status interrupts
 - Internal diagnostic capability Loopback control and break, parity, overrun and framing-error is provided
 - Separate DMA requests for transmit and receive data services in FIFO mode
 - Supports modem flow control by software or hardware
 - Slow infrared asynchronous interface that conforms to IrDA specification
- Two MMC/SD/SDIO controllers (MSC0, MSC1)
 - All support eMMC 5.1(command queueing Engine)
 - Support SD Specification 3.0
 - Support SD I/O Specification 1.0 with 1 command channel and 4 data channels
 - Consumer Electronics Advanced Transport Architecture (CE-ATA – version 1.1)
 - Maximum data rate is 104MBps
 - Both support MMC data width 1bit, 4bit
 - Single or multi block access to the card including erase operation
 - The maximum block length is 4096bytes
- USB 2.0 OTG interface
 - Complies with the USB 2.0 standard for high-speed (480 Mbps) functions and with the On-The-Go supplement to the USB 2.0 specification
 - Operates either as the function controller of a high- /full-speed USB peripheral or as the host/peripheral in point-to-point or multi-point communications with other USB functions
 - Supports Session Request Protocol (SRP) and Host Negotiation Protocol (HNP)
 - UTMI+ Level 3 Transceiver Interface
 - Soft connect/disconnect
 - 16 Endpoints
 - Dedicate FIFO
 - Supports control, interrupt, ISO and bulk transfer

- Ethernet Media Access controller
 - 10/100 Mbps operation
 - Supports MII and RMII PHY interfaces
 - Support IEEE 1588-2002

- Digital True Random Number Generator(DTRNG)
 - Pure digital logic circuits
 - True random number
 - Interrupt mode and no interrupt mode

1.2.13 Bootrom

22kB Boot ROM memory

1.3 Characteristic

Item	Characteristic
Process Technology	22nm CMOS low power
Power supply voltage	General purpose I/O: 1.8~3.3V DDR I/O: 1.8V(DDR2) ± 0.1V, 1.5V(DDR3) ± 0.075V, 1.35V(DDR3L) -0.067V/+0.1V EFUSE programming: 1.8V ± 10% Analog power supply 1: 1.8V ± 10% Analog power supply 2: 3.3V ± 10% Core: 0.9V ± 10%
Package	BGA381, 14mm x 14mm x 1.22mm, 0.65mm pitch
Operating frequency	1.0GHz

2 Packaging and Pinout Information

2.1 Overview

T40A processor is offered in BGA381, show in Figure 2- 1. The T40A pin to ball assignment is show in Figure 2-2. The detailed pin description is listed in Table 2- 1~Table 2- 12.

2.2 Solder Process

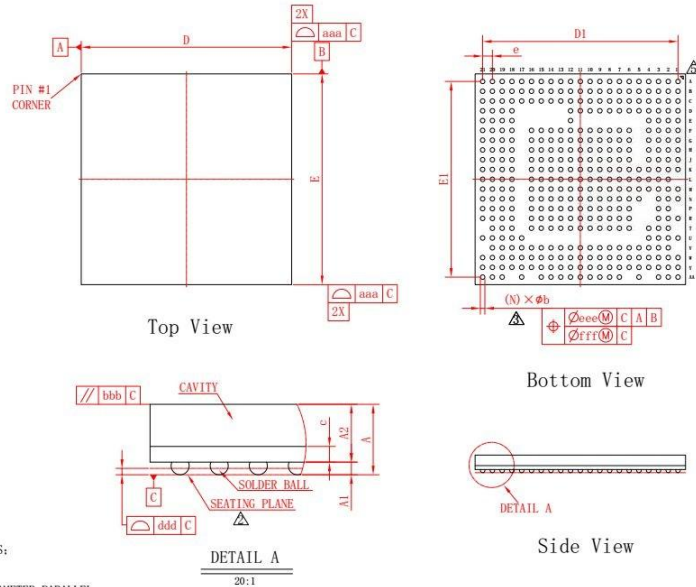
T40A package is lead-free. It's reflow profile follows the IPC/JEDEC lead-free reflow profile as contained in [J-STD-020C](#).

2.3 Moisture Sensitivity Level

T40A package moisture sensitivity is level 3.

2.4 T40A Package

symbol	Dimension in mm			Dimension in inch		
	MIN	NOM	MAX	MIN	NOM	MAX
A	---	---	1.270	---	---	0.050
A1	0.160	0.210	0.260	0.006	0.008	0.010
A2	0.910	0.960	1.010	0.036	0.038	0.040
c	0.220	0.260	0.300	0.009	0.010	0.012
D	13.900	14.000	14.100	0.547	0.551	0.555
E	13.900	14.000	14.100	0.547	0.551	0.555
D1	---	13.000	---	---	0.512	---
E1	---	13.000	---	---	0.512	---
e	---	0.650	---	---	0.026	---
b	0.250	0.300	0.350	0.010	0.012	0.014
aaa	0.100	---	---	0.004	---	---
bbb	0.100	---	---	0.004	---	---
ddd	0.080	---	---	0.003	---	---
eee	0.150	---	---	0.006	---	---
fff	0.080	---	---	0.003	---	---
Ball Diam	0.300	---	---	0.012	---	---
N	381	---	---	381	---	---
MD/ME	21/21	---	---	21/21	---	---



TECHNOLOGY SPECIFICATION [技术要求]

1. BALL PAD OPENING: 0.270mm; [球形防焊开口: 0.270mm;]

△ PRIMARY DATUM C AND SEATING PLANE ARE THE SOLDER BALLS;

[主要基准C和底面是锡球;]

△ DIMENSION b IS MEASURED AT THE MAXIMUM SOLDER BALL DIAMETER, PARALLEL

TO PRIMARY DATUM C; [尺寸b是测量最大锡球直径, 平行于主要基准C;]

4. SPECIAL CHARACTERISTICS C CLASS: bbb, ddd; [特殊特性C类: bbb, ddd;]

△ THE PATTERN OF PIN 1 FIDUCIAL IS FOR REFERENCE ONLY;

[PIN 1 标识仅供参考;]

TITLE:		DRAWING NO.		REV.	DESIGN
PACKAGE OUTLINE DRAWING [产品外形图]		PO-AA-EEO-0381-00-00		A00	CHECK
BGA-(14×14)-381 (PO. 65 T1. 27)		GGP3. 508. 3398WX			DESIGN APPROVE
SIZE	PAGE	UNIT	DIMENSION AND TOLERANCES	SCALE	PROCESS
A3	1 OF 1	MM	ASME Y14.5M	5:1	STAND.
					APPROVE

Figure2- 1 T40A package outline drawing

	1	2	3	4	5	6	7	8	9	10	11
A	B_DQ15	B_DQ10	B_DM0	B_DQ3	B_DQS0	B_DQ5	A_DQ14	A_DQ11	A_DM1	A_DQ2	A_DQ7
B	B_DQ14	B_DQ11	B_DM1	B_DQ2	B_DQSB0	B_DQ4	A_DQ15	A_DQ10	A_DM0	A_DQ3	A_DQ6
C	B_DQSB1	B_DQS1	B_DQ8	B_DQ1	B_DQ7	A_DQ12	A_DQS1	A_DQ9	A_DQ0	A_DQS0	A_DQ5
D	B_DQ12	B_DQ13	B_DQ9	B_DQ0	B_DQ6	A_DQ13	A_DQSB1	A_DQ8	A_DQ1	A_DQSB0	A_DQ4
E	UART0_TXD_SMB2_SDA_PC14	UART0_RXD_SMB2_SCK_PC15	DMIC_CLK_PC24	DMIC_DAT0_PC25							
F	UART2_TXD_I2S_DAC_LRCK_PC18	UART0_RTS_I2S_ADC_MCLK_SMB0_SCK_PC17	UART2_RXD_I2S_DAC_BCLK_PC19	UART0_CTS_I2S_DAC_MCLK_SMB0_SDA_PC16		VDDMEM	VDDMEM	VDDMEM	VDDMEM	VDDMEM	VDDMEM
G	MSC1_D1_SSI1_DR_PC11	MSC1_D0_SSI1_DT_PC10	UART2_RTS_PWM0_PC27	UART2_CTS_DMIC_DAT1_PC26		VSS	VSS	VSS	VSS	VSS	VSS
H	MSC1_CLK_SI1_CLK_PC08	MSC1_CMD_SI1_CE0_PC09	SSI_SLV_DT_I2S_ADC_BCLK_PC22	SSI_SLV_DR_I2S_ADC_LRCLK_PC23		VDD	VDD	VDD	VDD	VDD	VDD
J	MSC1_D3_SSI1_CE1_PC13	MSC1_D2_SSI1_GPC_PC12	SSI_SLV_CE0_I2S_SDTO_PC21	SSI_SLV_CLK_I2S_SDTI_PC20		VDD	VDD	VDD	VDD	VDD	VDD
K	CIM0_MCLK_PC31	CIM1_MCLK_PC30	CIM2_MCLK_PC29	RST_OUT	EFUSE_AVDD	VDD	VDD	VSS	VSS	VSS	VSS

Figure2- 2 T40A pin to ball assignment(Part 1)

12	13	14	15	16	17	18	19	20	21	
CKB	CASB	CSB0	BA0	A0	A1	A2	A6	A8	A13	A
CK	ODT0	WEB	BA2	A12	A5	A11	A7	A14	RESETN	B
RASB	CKE0	A10	BA1	A3	A4	A9	A15	SMB1_SCK_P WM1_PD27	SMB1_SDA_P WM0_PD26	C
DDRPLL_VCC A						BOOT_SEL1_ PC01	BOOT_SEL0_ PC00	UART3_RXD_T MS_PD25	UART3_TXD_T CK_PD24	D
DDRPLL_AVSS						TRST	UART3_RTS_T DO_PWM7_P D23	UART3_RXD_ SS10_GPC_P WM5_PC07	UART3_TXD_S SI0_CE1_PW M4_PC06	E
VDDMEM	VDDMEM	VDDMEM	VDDMEM	VDDMEM		PWM3_PB31	UART3_CTS_T DI_PWM6_PD 22	UART0_TXD_S SI0_CE0_PW M3_PC05	UART0_RXD_ SS10_DT_PW M0_PC02	F
VSS	VSS	VSS	VSS	VSS		UART1_TXD_P B23	UART1_RXD_ PB24	UART0_RTS_ SS10_CLK_P WM2_PC04	UART0_CTS_ SS10_DR_PW M1_PC03	G
VDD	VDD	VDD	VDD	VDD		DRV_VBUS_U ART2_CTS_S SI1_DR_PB27	PWM2_UART2 RTS_SS11_C E0_PB30	SMB3_SCK_U ART2_RXD_S SI1_CE1_PB2 9	SMB3_SDA_U ART2_TXD_SS I1_GPC_PB28	H
VDD	VDD	VDD	VDD	VDD		RGB_DE_SSI_ SLV_DR_PD2 1	RGB_VSYNC_ SSI_SLV_DT_ PD20	SMB2_SDA_P WM4_SSI1_D T_PB25	SMB2_SCK_P WM5_SSI1_C LK_PB26	J
VSS	VSS	VSS	VDD	VDD		RGB_PCLK_B T656_1120_PC LK_SLCD_WR _PD08	RGB_HSYNC_ PD17	RGB_D17_SSI_ SLV_CE0_P D19	RGB_D16_SSI_ SLV_CLK_P D18	K

Figure2- 3 T40A pin to ball assignment(Part 2)

L		PWM1_PC28	PPRST_	VDDIO	POR_CTL	VDD	VDD	VSS	VSS	VSS	VSS
M	EXCLK_XI	EXCLK_XO	PLL_VDD	PLL_AVDD	TEST_TE	VDD	VDD	VSS	VSS	VSS	VSS
N	DVP_HSYNC_BT_D12_PA15	DVP_BT_PCLK_DMIC_DAT1_PA14	DVP_VSYNC_BT_D13_PA16		PLL_AVSS	VDD	VDD	VSS	VSS	VSS	VSS
P		CS1_DVP_BT_D11_UART0_RXD_PA11	SA2_DVP_BT_D10_UART0_TXD_PA10			VSS	VSS	VSS	VSS	VSS	VSS
R	SA1_DVP_BT_D9_UART0_RTS_PA09	SA0_DVP_BT_D8_UART0_CTS_PA08	SD7_DVP_BT_D7_UART2_RXD_PA07			VSS	VSS	VSS	VSS	VDD	VDD
T		SD6_DVP_BT_D6_UART2_TXD_PA06	SD4_DVP_BT_D4_UART2_CTS_PA04	VDDIO33_DVP		VSS	VSS	VSS	VDD	VDD	VDD
U	SD5_DVP_BT_D5_UART2_RTS_PA05	SD3_DVP_BT_D3_UART3_RXD_PA03	SD2_DVP_BT_D2_UART3_TXD_PA02	VDDIO18_DVP							
V		SD1_DVP_BT_D1_UART3_RTS_PA01	RD_SMB0_SCK_DMIC_DAT0_PA13	CSI_VCC18	CSI_VSSA	SADC_AUX0	SADC_VREFP	SADC_AGNDD	USB_AVDD18	USB_AVDD09	SFC_CLK_PA27
W	SD0_DVP_BT_D0_UART3_CTS_PA00	CS2_SMB0_SDA_DMIC_CLK_PA12	CSI_VCC09	RX_CLKP1	RX_DATAP2	SADC_AUX2	SADC_AVDD	USB_AVDD33	USB_VSSA	SFC_D1_DR_PA24	SFC_CE0_PA28
Y	RX_DATAN0	RX_DATAN1	RX_CLKN	RX_CLKN1	RX_DATAP3	RX_DATAN2	SADC_AUX3	USB0PN	VBUS	SMB1_SCK_UART1_RXD_PA18	D_EFSYNC1_PA20
AA	RX_DATAP0	RX_DATAP1	RX_CLKP		RX_DATAN3		SADC_AUX1	USB0PP	USB0ID	SMB1_SDA_UART1_TXD_PA17	D_EFSYNC0_PA19
	1	2	3	4	5	6	7	8	9	10	11

Figure2- 4 T40A pin to ball assignment(Part 3)

VSS	VSS	VSS	VDD	VDD		RGB_D15_BT1 120_D15_PD1 6	RGB_D14_BT1 120_D14_PD1 5	RGB_D13_BT1 120_D13_PD1 4	RGB_D12_BT1 120_D12_PD1 3	L
VSS	VSS	VSS	VDD	VDD		RGB_D8_BT11 20_D8_SLCD_ TE_PD09	RGB_D9_BT11 20_D9_SLCD_ CS_PD10	RGB_D10_BT1 120_D10_SLC D_DC_PD11	RGB_D11_BT1 120_D11_SLC D_RDY_PD12	M
VSS	VSS	VSS	VDD	VDD		RGB_D4_BT65 6_1120_D4_SL CD_D4_PD04	RGB_D5_BT65 6_1120_D5_SL CD_D5_PD05	RGB_D6_BT65 6_1120_D6_SL CD_D6_PD06	RGB_D7_BT65 6_1120_D7_SL CD_D7_PD07	N
VSS	VSS	VSS	VDD	VDDIO18		RGB_D0_BT65 6_1120_D0_SL CD_D0_PD00	RGB_D1_BT65 6_1120_D1_SL CD_D1_PD01	RGB_D2_BT65 6_1120_D2_SL CD_D2_PD02	RGB_D3_BT65 6_1120_D3_SL CD_D3_PD03	P
VDD	VDD	VDD	VDD	VDDIO18		CODEC_AVS S	VCM	MICPR	HPOUTL	R
VDD	VDD	VDD	VDDIO33	VDDIO33		CODEC_AVD D	MICBIAS	MICNR		T
					DSI_VSSA	DSI_VCCA09	TX_DATAN3	MICPL	MICNL	U
SFC_D2_WP_ PA25	SFC_D3_HOL D_PA26	MSC1_CLK_S MB1_SDA_PB 17	MSC1_CMD_S MB1_SCK_PB 18	MSC1_D3_PB 22	MSC1_D2_SM B3_SCK_PB2 1	DSI_VCCA18	TX_DATAN2	TX_DATAP3		V
SFC_D0_DT_P A23	MSC1_D1_SM B3_SDA_PB2 0	MSC1_D0_PB 19	MSC0_D3_PB 03	GMAC_MDCK I2S_DAC_BC LK_PB10	GMAC_RXD0_I 2S_SDTI_PB1 5	GMAC_PHY_ CLK_PWM7_P B07	GMAC_TXD1_I 2S_ADC_LRC K_PB14	TX_DATAP2	TX_CLKN	W
WAIT_BT_D15 _SMB3_SCK_ PA22	MSC0_D1_PB 01	MSC0_CLK_P B04	GMAC_MDIO_ I2S_DAC_LRC K_PB11	GMAC_RXDV_ I2S_ADC_MCL K_PB09	GMAC_TXCLK _PWM6_PB06	GMAC_TXD0_I 2S_ADC_BCL K_PB13	TX_DATAP0	TX_DATAP1	TX_CLKP	Y
BT_D14_SMB 3_SDA_PA21	MSC0_D0_PB 00	MSC0_CMD_P B05	MSC0_D2_PB 02		GMAC_RXD1_I 2S_SDT0_PB 16		GMAC_TXEN_I 2S_DAC_MCL K_PB08	TX_DATAN0	TX_DATAN1	AA
12	13	14	15	16	17	18	19	20	21	

Figure2- 5 T40A pin to ball assignment(Part 4)

2.5 Pin Description

2.5.1 Static Memory/DVP/I2Cx/UARTx/DMIC

Table2- 1 Static Memory/DVP/I2Cx/UARTx/DMIC Pins(23)

Pin Names	IO	Loc	IO Char.	Pin Description	Power
SD0	IO		6mA	SD0: Static memory data bus bit 0	VDDIO3318_DVP
DVP_BT_D0	I	W1	Hi-Z-rst	DVP_BT_D0: DVP or BT data bit 0	
UART3_CTS	I			UART3_CTS: UART 3 clear-to-send	

Pin Names	IO	Loc	IO Char.	Pin Description	Power
PA00	IO			PA00: GPIO group A bit 00	
SD1 DVP_BT_D1 UART3_RTS PA01	IO I O IO	V2	6mA Hi-Z-rst	SD1: Static memory data bus bit 1 DVP_BT_D1: DVP or BT data bit 1 UART3_RTS: UART 3 request-to-send PA01: GPIO group A bit 01	VDDIO3318_DVP
SD2 DVP_BT_D2 UART3_TXD PA02	IO I O IO	U3	6mA Hi-Z-rst	SD2: Static memory data bus bit 2 DVP_BT_D2: DVP or BT data bit 2 UART3_TXD: UART 3 transmit data PA02: GPIO group A bit 02	VDDIO3318_DVP
SD3 DVP_BT_D3 UART3_RXD PA03	IO I I IO	U2	6mA Hi-Z-rst	SD3: Static memory data bus bit 3 DVP_BT_D3: DVP or BT data bit 3 UART3_RXD: UART 3 receive data PA03: GPIO group A bit 03	VDDIO3318_DVP
SD4 DVP_BT_D4 UART2_CTS PA04	IO I I IO	T3	6mA Hi-Z-rst	SD4: Static memory data bus bit 4 DVP_BT_D4: DVP or BT data bit 4 UART2_CTS: UART 2 clear-to-send PA04: GPIO group A bit 04	VDDIO3318_DVP
SD5 DVP_BT_D5 UART2_RTS PA05	IO I O IO	U1	6mA Hi-Z-rst	SD5: Static memory data bus bit 5 DVP_BT_D5: DVP or BT data bit 5 UART2_RTS: UART 2 request-to-send PA05: GPIO group A bit 05	VDDIO3318_DVP
SD6 DVP_BT_D6 UART2_TXD PA06	IO I O IO	T2	6mA Hi-Z-rst	SD6: Static memory data bus bit 6 DVP_BT_D6: DVP or BT data bit 6 UART2_TXD: UART 2 transmit data PA06: GPIO group A bit 06	VDDIO3318_DVP
SD7 DVP_BT_D7 UART2_RXD PA07	IO I I IO	R3	6mA Hi-Z-rst	SD7: Static memory data bus bit 7 DVP_BT_D7: DVP or BT data bit 7 UART2_RXD: UART 2 receive data PA07: GPIO group A bit 07	VDDIO3318_DVP
SA0 DVP_BT_D8 UART0_CTS PA08	O I I IO	R2	6mA Hi-Z-rst	SA0: Static memory address bus bit 0 DVP_BT_D8: DVP or BT data bit 8 UART0_CTS: UART 0 clear-to-send PA08: GPIO group A bit 08	VDDIO3318_DVP
SA1 DVP_BT_D9 UART0_RTS PA09	O I O IO	R1	6mA Hi-Z-rst	SA1: Static memory address bus bit 1 DVP_BT_D9: DVP or BT data bit 9 UART0_RTS: UART 0 request-to-send PA09: GPIO group A bit 09	VDDIO3318_DVP
SA2	O	P3	6mA	SA2: Static memory address bus bit 2	VDDIO3318_DVP

Pin Names	IO	Loc	IO Char.	Pin Description	Power
DVP_BT_D10 UART0_TXD PA10	I O IO		Hi-Z-rst	DVP_BT_D10: DVP or BT data bit 10 UART0_TXD: UART 0 transmit data PA10: GPIO group A bit 10	
CS1_ DVP_BT_D11 UART0_RXD PA11	O I I IO	P2	6mA Hi-Z-rst	CS1_: Static memory chip 1 select DVP_BT_D11: DVP or BT data bit 11 UART0_RXD: UART 0 receive data PA11: GPIO group A bit 11	VDDIO3318_DVP
CS2_ SMB0_SDA DMIC_CLK PA12	O IO O IO	W2	6mA Hi-Z-rst	CS2_: Static memory chip 2 select SMB0_SDA: I2C 0 serial data DMIC_CLK: Digital microphone Clock output PA12: GPIO group A bit 12	VDDIO3318_DVP
RD_ SMB0_SCK DMIC_DAT0 PA13	O O I IO	V3	6mA Hi-Z-rst	RD_: Static memory read signal SMB0_SCK: I2C 0 serial clock DMIC_DAT0: Digital microphone data bit 0 PA13: GPIO group A bit 13	VDDIO3318_DVP
DVP_BT_PCLK DMIC_DAT1 PA14	O I IO	N2	6mA Hi-Z-rst	DVP_BT_PCLK: camera sensor pixel clock input for DVP or BT model DMIC_DAT1: Digital microphone data bit 1 PA14: GPIO group A bit 14	VDDIO3318_DVP
DVP_HSYNC_ BT_D12 PA15	I IO	N1	6mA Hi-Z-rst	DVP_HSYNC_BT_D12: DVP horizontal sync or BT data bit 12 PA15: GPIO group A bit 15	VDDIO3318_DVP
DVP_VSYNC_ BT_D13 PA16	I IO	N3	6mA Hi-Z-rst	DVP_VSYNC_BT_D13: DVP vertical sync or BT data bit 13 PA16: GPIO group A bit 16	VDDIO3318_DVP
SMB1_SDA UART1_TXD PA17	IO O IO	AA10	6mA Hi-Z-rst	SMB1_SDA: I2C 1 serial data UART1_TXD: UART 1 transmit data PA17: GPIO group A bit 17	VDDIO3318_DVP
SMB1_SCK UART1_RXD PA18	O I IO	Y10	6mA Hi-Z-rst	SMB1_SCK: I2C 1 serial clock UART1_RXD: UART 1 receive data PA18: GPIO group A bit 18	VDDIO3318_DVP
D_EFSYNC0 PA19	O IO	AA11	6mA Hi-Z-rst	D_EFSYNC0: ISP for sensor control bit 0 PA19: GPIO group A bit 19	VDDIO3318_DVP
D_EFSYNC1 PA20	O IO	Y11	6mA Hi-Z-rst	D_EFSYNC1: ISP for sensor control bit 1 PA20: GPIO group A bit 20	VDDIO3318_DVP
BT_D14 SMB3_SDA	I IO	AA12	6mA Hi-Z-rst	BT_D14: BT data bit 14 SMB3_SDA: I2C 3 serial data	VDDIO3318_DVP

Pin Names	IO	Loc	IO Char.	Pin Description	Power
PA21	IO			PA21: GPIO group A bit 21	
WAIT_ BT_D15 SMB3_SCK PA22	I I O IO	Y12	6mA Hi-Z-rst	WAIT_: Static memory/device wait signal BT_D15: BT data bit 15 SMB3_SCK: I2C 3 serial clock PA22: GPIO group A bit 22	VDDIO318_DVP

2.5.2 SFC

Table2- 2 SFC Pins(6)

Pin Names	IO	Loc	IO Char.	Pin Description	Power
SFC_D0_DT PA23	IO IO	W12	9mA Hi-Z-rst	SFC_D0_DT: Serial Flash data PA23: GPIO group A bit 23	VDDIO33
SFC_D1_DR PA24	IO IO	W10	9mA Hi-Z-rst	SFC_D1_DR: Serial Flash data PA24: GPIO group A bit 24	VDDIO33
SFC_D2_WP PA25	IO IO	V12	9mA Hi-Z-rst	SFC_D2_WP: Serial Flash write protect signal PA25: GPIO group A bit 25	VDDIO33
SFC_D3_HOLD PA26	IO IO	V13	9mA Pullup-rst	SFC_D3_HOLD: Serial Flash hold signal PA26: GPIO group A bit 26	VDDIO33
SFC_CLK PA27	O IO	V11	9mA Hi-Z-rst	SFC_CLK: Serial Flash clock output PA27: GPIO group A bit 27	VDDIO33
SFC_CE0 PA28	O IO	W11	9mA Pullup-rst	SFC_CE0: Serial Flash chip enable PA28: GPIO group A bit 28	VDDIO33

2.5.3 MSCx/GMAC/PWMx/UARTx/I2Cx/SSI1/I2S

Table2- 3 MSCx/GMAC/PWMx/UARTx/I2Cx/SSI1/I2S Pins (31)

Pin Names	IO	Loc	IO Char.	Pin Description	Power
MSC0_D0 PB00	IO IO	AA13	6mA Hi-Z-rst	MSC0_D0: MSC (MMC/SD) 0 data bit 0 PB00: GPIO group B bit 00	VDDIO33
MSC0_D1 PB01	IO IO	Y13	6mA Hi-Z-rst	MSC0_D1: MSC (MMC/SD) 0 data bit 1 PB01: GPIO group B bit 01	VDDIO33
MSC0_D2 PB02	IO IO	AA15	6mA Hi-Z-rst	MSC0_D2: MSC (MMC/SD) 0 data bit 2 PB02: GPIO group B bit 02	VDDIO33
MSC0_D3 PB03	IO IO	W15	6mA Hi-Z-rst	MSC0_D3: MSC (MMC/SD) 0 data bit 3 PB03: GPIO group B bit 03	VDDIO33
MSC0_CLK PB04	O IO	Y14	6mA Hi-Z-rst	MSC0_CLK: MSC (MMC/SD) 0 clock output PB04: GPIO group B bit 04	VDDIO33

Pin Names	IO	Loc	IO Char.	Pin Description	Power
MSC0_CMD PB05	IO IO	AA14	6mA Hi-Z-rst	MSC0_CMD: MSC (MMC/SD) 0 command PB05: GPIO group B bit 05	VDDIO33
GMAC_TXCLK PWM6 PB06	I O IO	Y17	6mA Pulldown-rst	GMAC_TXCLK: gmac transmitting clock PWM6: PWM channel 6 output PB06: GPIO group B bit 06	VDDIO33
GMAC_PHY_CLK PWM7 PB07	O O IO	W18	6mA Pulldown-rst	GMAC_PHY_CLK: gmac phy clock PWM7: PWM channel 7 output PB07: GPIO group B bit 07	VDDIO33
GMAC_TXEN I2S_DAC_MCLK PB08	O O IO	AA19	6mA Hi-Z-rst	GMAC_TXEN: gmac transmitting enable I2S_DAC_MCLK: I2S DAC clock PB08: GPIO group B bit 08	VDDIO33
GMAC_RXDV I2S_ADC_MCLK PB09	I O IO	Y16	6mA Hi-Z-rst	GMAC_RXDV: gmac receive data valid I2S_ADC_MCLK: I2S ADC clock PB09: GPIO group B bit 09	VDDIO33
GAMC_MDCK I2S_DAC_BCLK PB10	O IO IO	W16	6mA Hi-Z-rst	GAMC_MDCK: gmac manage data clock I2S_DAC_BCLK: I2S DAC bit clock PB10: GPIO group B bit 10	VDDIO33
GMAC_MDIO I2S_DAC_LRCK PB11	IO O IO	Y15	6mA Hi-Z-rst	GMAC_MDIO: gmac MDIO which is clocked by MDC I2S_DAC_LRCK: I2S DAC left/right clock PB11: GPIO group B bit 11	VDDIO33
GMAC_TXD0 I2S_ADC_BCLK PB13	O IO IO	Y18	6mA Hi-Z-rst	GMAC_TXD0: gmac transmit data bit 0 I2S_ADC_BCLK: I2S ADC bit clock PB13: GPIO group B bit 13	VDDIO33
GMAC_TXD1 I2S_ADC_LRCK PB14	O O IO	W19	6mA Hi-Z-rst	GMAC_TXD1: gmac transmit data bit 1 I2S_ADC_LRCK: I2S ADC left/right clock PB14: GPIO group B bit 14	VDDIO33
GMAC_RXD0 I2S_SDTI PB15	I I IO	W17	6mA Hi-Z-rst	GMAC_RXD0: gmac receive data bit 0 I2S_SDTI: I2S serial data input signal PB15: GPIO group B bit 15	VDDIO33
GMAC_RXD1 I2S_SDTO PB16	I O IO	AA17	6mA Hi-Z-rst	GMAC_RXD1: gmac receive data bit 1 I2S_SDTO: I2S serial data output signal PB16: GPIO group B bit 16	VDDIO33
MSC1_CLK SMB1_SDA PB17	O IO IO	V14	6mA Hi-Z-rst	MSC1_CLK: MSC (MMC/SD) 1 clock output SMB1_SDA: I2C 1 serial data PB17: GPIO group B bit 17	VDDIO33
MSC1_CMD	IO	V15	6mA	MSC1_CMD: MSC (MMC/SD) 1 command	VDDIO33

Pin Names	IO	Loc	IO Char.	Pin Description	Power
SMB1_SCK PB18	O IO		Hi-Z-rst	SMB1_SCK: I2C 1 serial clock PB18: GPIO group B bit 18	
MSC1_D0 PB19	IO IO	W14	6mA Hi-Z-rst	MSC1_D0: MSC (MMC/SD) 1 data bit 0 PB19: GPIO group B bit 19	VDDIO33
MSC1_D1 SMB3_SDA PB20	IO IO IO	W13	6mA Hi-Z-rst	MSC1_D1: MSC (MMC/SD) 1 data bit 1 SMB3_SDA: I2C 3 serial data PB20: GPIO group B bit 20	VDDIO33
MSC1_D2 SMB3_SCK PB21	IO O IO	V17	6mA Hi-Z-rst	MSC1_D2: MSC (MMC/SD) 1 data bit 2 SMB3_SCK: I2C 3 serial clock PB21: GPIO group B bit 21	VDDIO33
MSC1_D3 PB22	IO IO	V16	6mA Hi-Z-rst	MSC1_D3: MSC (MMC/SD) 1 data bit 3 PB22: GPIO group B bit 22	VDDIO33
UART1_TXD PB23	O IO	G18	6mA Pullup-rst	UART1_TXD: UART 1 transmit data PB23: GPIO group B bit 23	VDDIO33
UART1_RXD PB24	I IO	G19	6mA Pullup-rst	UART1_RXD: UART 1 receive data PB24: GPIO group B bit 24	VDDIO33
SMB2_SDA PWM4 SSI1_DT PB25	IO O O IO	J20	6mA Hi-Z-rst SMT-rst	SMB2_SDA: I2C 2 serial data PWM4: PWM channel 4 output SSI1_DT: SSI 1 transmit data PB25: GPIO group B bit 25	VDDIO33
SMB2_SCK PWM5 SSI1_CLK PB26	O O O IO	J21	6mA Hi-Z-rst SMT-rst	SMB2_SCK: I2C 2 serial clock PWM5: PWM channel 5 output SSI1_CLK: SSI 1 clock PB26: GPIO group B bit 26	VDDIO33
DRV_VBUS UART2_CTS SSI1_DR PB27	O I I IO	H17	6mA Hi-Z-rst	DRV_VBUS: USB-5V control UART2_CTS: UART 2 clear-to-send SSI1_DR: SSI 1 receive data PB27: GPIO group B bit 27	VDDIO33
SMB3_SDA UART2_TXD SSI1_GPC PB28	IO O O IO	H21	6mA Hi-Z-rst	SMB3_SDA: I2C 3 serial data UART2_TXD: UART 2 transmit data SSI1_GPC: SSI 1 general-purpose control PB28: GPIO group B bit 28	VDDIO33
SMB3_SCK UART2_RXD SSI1_CE1 PB29	O I O IO	H20	6mA Hi-Z-rst	SMB3_SCK: I2C 3 serial clock UART2_RXD: UART 2 receive data SSI1_CE1: SSI 1 chip 1 select PB29: GPIO group B bit 29	VDDIO33
PWM2	O	H19	6mA	PWM2: PWM channel 2 output	VDDIO33

Pin Names	IO	Loc	IO Char.	Pin Description	Power
UART2_RTS SSI1_CE0 PB30	O O IO		Pullup-rst	UART2_RTS: UART 2 request-to-send SSI1_CE0: SSI 1 chip 0 select PB30: GPIO group B bit 30	
PWM3 PB31	O IO	F18	6mA Pulldown-rst	PWM3: PWM channel 3 output PB31: GPIO group B bit 31	VDDIO33

2.5.4 UARTx/PWMx/SSI0

Table2- 4 UARTx/ PWMx/SSI0(6)

Pin Names	IO	Loc	IO Char.	Pin Description	Power
UART0_RXD SSI0_DT PWM0 PC02	I O O IO	F21	6mA Hi-Z-rst	UART0_RXD: UART 0 receive data SSI0_DT: SSI 0 transmit data PWM0: PWM channel 0 output PC02: GPIO group C bit 02	VDDIO33
UART0_CTS SSI0_DR PWM1 PC03	I I O IO	G21	6mA Hi-Z-rst	UART0_CTS: UART 0 clear-to-send SSI0_DR: SSI 0 receive data PWM1: PWM channel 1 output PC03: GPIO group C bit 03	VDDIO33
UART0_RTS SSI0_CLK PWM2 PC04	O O O IO	G20	6mA Hi-Z-rst	UART0_RTS: UART 0 Request-to-Send SSI0_CLK: SSI 0 clock PWM2: PWM channel 2 output PC04: GPIO group C bit 04	VDDIO33
UART0_TXD SSI0_CE0 PWM3 PC05	O O O IO	F20	6mA Hi-Z-rst	UART0_TXD: UART 0 transmit data SSI0_CE0: SSI 0 chip 0 select PWM3: PWM channel 3 output PC05: GPIO group C bit 05	VDDIO33
UART3_TXD SSI0_CE1 PWM4 PC06	O O O IO	E21	6mA Hi-Z-rst	UART3_TXD: UART 3 transmit data SSI0_CE1: SSI 0 chip 1 select PWM4: PWM channel 4 output PC06: GPIO group C bit 06	VDDIO33
UART3_RXD SSI0_GPC PWM5 PC07	I O O IO	E20	6mA Hi-Z-rst	UART3_RXD: UART 3 receive data SSI0_GPC: SSI 0 general-purpose control PWM5: PWM channel 5 output PC07: GPIO group C bit 07	VDDIO33

2.5.5 UARTx/CIMx/PWMx/I2Cx/MSC1/DMIC/SSI1/SSI_SLV/I2S

Table2- 5 UARTx/CIMx/PWMx/I2Cx/MSC1/DMIC/SSI1/SSI_SLV/I2S(24)

Pin Names	IO	Loc	IO Char.	Pin Description	Power
MSC1_CLK SSI1_CLK PC08	O O IO	H1	10mA Hi-Z-rst	MSC1_CLK: MSC (MMC/SD) 1 clock output SSI1_CLK: SSI 1 clock PC08: GPIO group C bit 08	VDDIO
MSC1_CMD SSI1_CE0 PC09	IO O IO	H2	10mA Hi-Z-rst	MSC1_CMD: MSC (MMC/SD) 1 command SSI1_CE0: SSI 1 chip 0 select PC09: GPIO group C bit 09	VDDIO
MSC1_D0 SSI1_DT PC10	IO O IO	G2	10mA Hi-Z-rst	MSC1_D0: MSC (MMC/SD) 1 data bit 0 SSI1_DT: SSI 1 transmit data PC10: GPIO group C bit 10	VDDIO
MSC1_D1 SSI1_DR PC11	IO I IO	G1	10mA Hi-Z-rst	MSC1_D1: MSC (MMC/SD) 1 data bit 1 SSI1_DR: SSI 1 receive data PC11: GPIO group C bit 11	VDDIO
MSC1_D2 SSI1_GPC PC12	IO O IO	J2	10mA Hi-Z-rst	MSC1_D2: MSC (MMC/SD) 1 data bit 2 SSI1_GPC: SSI 1 general-purpose control PC12: GPIO group C bit 12	VDDIO
MSC1_D3 SSI1_CE1 PC13	IO O IO	J1	10mA Hi-Z-rst	MSC1_D3: MSC (MMC/SD) 1 data bit 3 SSI1_CE1: SSI 1 chip 1 select PC13: GPIO group C bit 13	VDDIO
UART0_TXD SMB2_SDA PC14	O IO IO	E1	10mA Hi-Z-rst	UART0_TXD: UART 0 transmit data SMB2_SDA: I2C 2 serial data PC14: GPIO group C bit 14	VDDIO
UART0_RXD SMB2_SCK PC15	I O IO	E2	10mA Hi-Z-rst	UART0_RXD: UART 0 receive data SMB2_SCK: I2C 2 serial clock PC15: GPIO group C bit 15	VDDIO
UART0_CTS I2S_DAC_MCLK SMB0_SDA PC16	I O IO IO	F4	10mA Hi-Z-rst	UART0_CTS: UART 0 Clear-to-Send I2S_DAC_MCLK: I2S DAC clock output SMB0_SDA: I2C 0 serial data PC16: GPIO group C bit 16	VDDIO
UART0_RTS I2S_ADC_MCLK SMB0_SCK PC17	O O O IO	F2	10mA Hi-Z-rst	UART0_RTS: UART 0 Request-to-Send I2S_ADC_MCLK: I2S ADC clock output SMB0_SCK: I2C 0 serial clock PC17: GPIO group C bit 17	VDDIO
UART2_TXD I2S_DAC_LRCK PC18	O IO IO	F1	10mA Hi-Z-rst	UART2_TXD: UART 2 transmit data I2S_DAC_LRCK: I2S DAC left/right clock PC18: GPIO group C bit 18	VDDIO
UART2_RXD I2S_DAC_BCLK PC19	I IO IO	F3	10mA Hi-Z-rst	UART2_RXD: UART 2 receive data I2S_DAC_BCLK: I2S DAC bit clock PC19: GPIO group C bit 19	VDDIO

Pin Names	IO	Loc	IO Char.	Pin Description	Power
SSI_SLV_CLK	I		10mA	SSI_SLV_CLK: SSI slave clock	
I2S_SDTI	I	J4	Pulldown-rst	I2S_SDTI: I2S serial data input signal	VDDIO
PC20	IO		SMT-rst	PC20: GPIO group C bit 20	
SSI_SLV_CE0	I		10mA	SSI_SLV_CE0: SSI slave chip 0 select	
I2S_SDTO	O	J3	Pullup-rst	I2S_SDTO: I2S serial data output signal	VDDIO
PC21	IO		SMT-rst	PC21: GPIO group C bit 21	
SSI_SLV_DT	O		10mA	SSI_SLV_DT: SSI slave transmit data	
I2S_ADC_BCLK	IO	H3	Hi-Z-rst	I2S_ADC_BCLK: I2S ADC bit clock	VDDIO
PC22	IO			PC22: GPIO group C bit 22	
SSI_SLV_DR	I		10mA	SSI_SLV_DR: SSI slave receive data	
I2S_ADC_LRCK	IO	H4	Hi-Z-rst	I2S_ADC_LRCK: I2S ADC left/right clock	VDDIO
PC23	IO			PC23: GPIO group C bit 23	
DMIC_CLK	O	E3	10mA	DMIC_CLK: Digital microphone clock output	VDDIO
PC24	IO		Hi-Z-rst	PC24: GPIO group C bit 24	
DMIC_DAT0	I	E4	10mA	DMIC_DAT0: Digital microphone data bit 0	VDDIO
PC25	IO		Hi-Z-rst	PC25: GPIO group C bit 25	
UART2_CTS	I		10mA	UART2_CTS: UART 2 Clear-to-Send	
DMIC_DAT1	I	G4	Hi-Z-rst	DMIC_DAT1: Digital microphone data bit 1	VDDIO
PC26	IO			PC26: GPIO group C bit 26	
UART2_RTS	O		10mA	UART2_RTS: UART 2 Request-to-Send	
PWM0	O	G3	Hi-Z-rst	PWM0: PWM channel 0 output	VDDIO
PC27	IO			PC27: GPIO group C bit 27	
PWM1	O	L2	10mA	PWM1: PWM channel 1 output	VDDIO
PC28	IO		Hi-Z-rst	PC28: GPIO group C bit 28	
CIM2_MCLK	O	K3	10mA	CIM2_MCLK: sensor clock 2 output	VDDIO
PC29	IO		Hi-Z-rst	PC29: GPIO group C bit 29	
CIM1_MCLK	O	K2	10mA	CIM1_MCLK: sensor clock 1 output	VDDIO
PC30	IO		Hi-Z-rst	PC30: GPIO group C bit 30	
CIM0_MCLK	O	K1	10mA	CIM0_MCLK: sensor clock 0 output	VDDIO
PC31	IO		Hi-Z-rst	PC31: GPIO group C bit 31	

2.5.6 DPU/SSI_SLV/PWMx/JTAG/I2C1/UART3

Table2- 6 DPU/SSI_SLV/PWMx/JTAG/I2C1/UART3 Pins(2)

Pin Names	IO	Loc	IO Char.	Pin Description	Power
RGB_D0	O		6mA	RGB_D0: LCD data output bit 0	
BT656_1120_D0	O	P18	Hi-Z-rst	BT656_1120_D0: BT656/1120 data bit 0	VDDIO33
SLCD_D0	O			SLCD_D0: smart lcd data output bit 0	

Pin Names	IO	Loc	IO Char.	Pin Description	Power
PD00	IO			PD00: GPIO group D bit 00	
RGB_D1 BT656_1120_D1 SLCD_D1 PD01	O O O IO	P19	6mA Hi-Z-rst	RGB_D1: LCD data output bit 1 BT656_1120_D1: BT656/1120 data bit 1 SLCD_D1: smart lcd data output bit 1 PD01: GPIO group D bit 01	VDDIO33
RGB_D2 BT656_1120_D2 SLCD_D2 PD02	O O O IO	P20	6mA Hi-Z-rst	RGB_D2: LCD data output bit 2 BT656_1120_D2: BT656/1120 data bit 2 SLCD_D2: smart lcd data output bit 2 PD02: GPIO group D bit 02	VDDIO33
RGB_D3 BT656_1120_D3 SLCD_D3 PD03	O O O IO	P21	6mA Hi-Z-rst	RGB_D3: LCD data output bit 3 BT656_1120_D3: BT656/1120 data bit 3 SLCD_D3: smart lcd data output bit 3 PD03: GPIO group D bit 03	VDDIO33
RGB_D4 BT656_1120_D4 SLCD_D4 PD04	O O O IO	N18	6mA Hi-Z-rst	RGB_D4: LCD data output bit 4 BT656_1120_D4: BT656/1120 data bit 4 SLCD_D4: smart lcd data output bit 4 PD04: GPIO group D bit 04	VDDIO33
RGB_D5 BT656_1120_D5 SLCD_D5 PD05	O O O IO	N19	6mA Hi-Z-rst	RGB_D5: LCD data output bit 5 BT656_1120_D5: BT656/1120 data bit 5 SLCD_D5: smart lcd data output bit 5 PD05: GPIO group D bit 05	VDDIO33
RGB_D6 BT656_1120_D6 SLCD_D6 PD06	O O O IO	N20	6mA Hi-Z-rst	RGB_D6: LCD data output bit 6 BT656_1120_D6: BT656/1120 data bit 6 SLCD_D6: smart lcd data output bit 6 PD06: GPIO group D bit 06	VDDIO33
RGB_D7 BT656_1120_D7 SLCD_D7 PD07	O O O IO	N21	6mA Hi-Z-rst	RGB_D7: LCD data output bit 7 BT656_1120_D7: BT656/1120 data bit 7 SLCD_D7: smart lcd data output bit 7 PD07: GPIO group D bit 07	VDDIO33
RGB_PCLK BT656_1120_PCLK LK SLCD_WR PD08	O O O O IO	K18	6mA Hi-Z-rst	RGB_PCLK: LCD pixel clock BT656_1120_PCLK: BT656/1120 pixel clock SLCD_WR: smart lcd write data control PD08: GPIO group D bit 08	VDDIO33
RGB_D8 BT1120_D8 SLCD_TE PD09	O O I IO	H20	6mA Hi-Z-rst	RGB_D8: LCD data output bit 8 BT1120_D8: BT1120 data bit 8 only SLCD_TE: smart lcd tearing effect PD09: GPIO group D bit 09	VDDIO33

Pin Names	IO	Loc	IO Char.	Pin Description	Power
RGB_D9 BT1120_D9 SLCD_CS PD10	O O O IO	M18	6mA Hi-Z-rst	RGB_D9: LCD data output bit 9 BT1120_D9: BT1120 data bit 9 only SLCD_CS: smart lcd chip select PD10: GPIO group D bit 10	VDDIO33
RGB_D10 BT1120_D10 SLCD_DC PD11	O O O IO	M19	6mA Hi-Z-rst	RGB_D10: LCD data output bit 10 BT1120_D10: BT1120 data bit 10 only SLCD_DC: smart lcd cmd/data identify PD11: GPIO group D bit 11	VDDIO33
RGB_D11 BT1120_D11 SLCD_RDY PD12	O O I IO	M20	6mA Hi-Z-rst	RGB_D11: LCD data output bit 11 BT1120_D11: BT1120 data bit 11 only SLCD_RDY: smart lcd work status PD12: GPIO group D bit 12	VDDIO33
RGB_D12 BT1120_D12 PD13	O O IO	L21	6mA Hi-Z-rst	RGB_D12: LCD data output bit 12 BT1120_D12: BT1120 data bit 12 only PD13: GPIO group D bit 13	VDDIO33
RGB_D13 BT1120_D13 PD14	O O IO	L20	6mA Hi-Z-rst	RGB_D13: LCD data output bit 13 BT1120_D13: BT1120 data bit 13 only PD14: GPIO group D bit 14	VDDIO33
RGB_D14 BT1120_D14 PD15	O O IO	L19	6mA Hi-Z-rst	RGB_D14: LCD data output bit 14 BT1120_D14: BT1120 data bit 14 only PD15: GPIO group D bit 15	VDDIO33
RGB_D15 BT1120_D15 PD16	O O IO	L18	6mA Hi-Z-rst	RGB_D15: LCD data output bit 15 BT1120_D15: BT1120 data bit 15 only PD16: GPIO group D bit 16	VDDIO33
RGB_HSYNC PD17	O IO	K19	6mA Hi-Z-rst	RGB_HSYNC: LCD line sync PD17: GPIO group D bit 17	VDDIO33
RGB_D16 SSI_SLV_CLK PD18	O I IO	K21	6mA Hi-Z-rst	RGB_D16: LCD data output bit 16 SSI_SLV_CLK: SSI slave clock PD18: GPIO group D bit 18	VDDIO33
RGB_D17 SSI_SLV_CE0 PD19	O I IO	K20	6mA Hi-Z-rst	RGB_D17: LCD data output bit 17 SSI_SLV_CE0: SSI slave chip 0 select PD19: GPIO group D bit 19	VDDIO33
RGB_VSYNC SSI_SLV_DT PD20	O O IO	J19	6mA Hi-Z-rst	RGB_VSYNC: LCD frame sync SSI_SLV_DT: SSI slave transmit data PD20: GPIO group D bit 20	VDDIO33
RGB_DE SSI_SLV_DR PD21	O I IO	J18	6mA Hi-Z-rst	RGB_DE: LCD data enable SSI_SLV_DR: SSI slave receive data PD21: GPIO group D bit 21	VDDIO33

Pin Names	IO	Loc	IO Char.	Pin Description	Power
UART3_CTS TDI PWM6 PD22	I I O IO	F19	6mA Hi-Z-rst	UART3_CTS: UART 3 clear-to-send TDI: JTAG data input PWM6: PWM channel 6 output PD22: GPIO group D bit 22	VDDIO33
UART3_RTS TDO PWM7 PD23	O O O IO	E19	6mA Hi-Z-rst	UART3_RTS: UART 3 request-to-send TDO: JTAG data output PWM7: PWM channel 7 output PD23: GPIO group D bit 23	VDDIO33
UART3_TXD TCK PD24	O I IO	D21	6mA Hi-Z-rst	UART3_TXD: UART 3 transmit data TCK: JTAG clock input PD24: GPIO group D bit 24	VDDIO33
UART3_RXD TMS PD25	I I IO	D20	6mA Hi-Z-rst	UART3_RXD: UART 3 receive data TMS: JTAG mode select PD25: GPIO group D bit 25	VDDIO33
SMB1_SDA PWM0 PD26	IO O IO	C21	6mA Hi-Z-rst	SMB1_SDA: I2C 1 serial data PWM0: PWM channel 0 output PD26: GPIO group D bit 26	VDDIO33
SMB1_SCK PWM1 PD27	O O IO	C20	6mA Hi-Z-rst	SMB1_SCK: I2C 1 serial clock PWM1: PWM channel 1 output PD27: GPIO group D bit 27	VDDIO33

2.5.7 System Boot Select

Table2- 7 Boot Select Pins(2)

Pin Names	IO	Loc	IO Char.	Pin Description	Power
(BOOT_SEL0) PC00	I IO	D19	6mA Pullup-rst	It is taken as BOOT select bit 0 by Boot ROM code PC00: GPIO group C bit 00	VDDIO33
(BOOT_SEL1) PC01	I IO	D18	6mA Pulldown-rst	It is taken as BOOT select bit 1 by Boot ROM code PC01: GPIO group C bit 01	VDDIO33

2.5.8 System Control

Table2- 8 System Control Pins(5)

Pin Names	IO	Loc	IO Char.	Pin Description	Power
TRST_	I	E18	6mA Pulldown	TRST_: JTAG reset	VDDIO33
PPRST_	I	L3	10mA Pullup	PPRST_: Power on reset and RESET-KEY reset input	VDDIO
TEST_TE	I	M5	10mA	TEST_TE: Manufacture test enable, program enable	VDDIO

Pin Names	IO	Loc	IO Char.	Pin Description	Power
			Pulldown		
POR_CTL	I	L5	10mA Pullup	POR_CTL: Power-on-Reset model bypass control	VDDIO
RST_OUT_	I	K4	10mA Pulldown	RST_OUT_: System Reset output	VDDIO

2.5.9 Digital IO/CORE Power/Ground

Table2- 9 Digital IO/CORE Power Supplies Pins (7)

Pin Names	IO	Loc	Pin Description	Power
VDD	P	H6,H7,H8,H9,H10,H11,H12,H13,H14,H15,H16,J6,J7,J8,J9,J10,J11,J12,J13,J14,J15,J16,K6,K7,K15,K16,L6,L7,L15,L16,M6,M7,M15,M16,N6,N7,N15,N16,P15,R10,R11,R12,R13,R14,R15,T9,T10,T11,T12,T13,T14	VDD: CORE digital power, 0.95V	-
VSS	P	G6,G7,G8,G9,G10,G11,G12,G13,G14,G15,G16,K8,K9,K10,K11,K12,K13,K14,L8,L9,L10,L11,L12,L13,L14,M8,M9,M10,M11,M12,M13,M14,N8,N9,N10,N11,N12,N13,N14,P6,P7,P8,P9,P10,P11,P12,P13,P14,R6,R7,R8,R9,T6,T7,T8	VSS: IO analog ground and CORE digital ground	-
VDDIO	P	L4	VDDIO*: 1.8V, for Fail-Safe type IO power supply	-
VDDIO18_DVP	P	U4	VDDIO18_DVP*: For DVP function type IO power supply, 1.8V	-
VDDIO3318_DVP	P	T4	VDDIO3318_DVP*: For DVP function type IO power supply, 3.3V or 1.8V	-
VDDIO18	P	P16,R16	VDDIO18*: For 1.8V type IO power supply	-
VDDIO33	P	T15,T16	VDDIO33: For 3.3V type IO power supply	-

NOTES:

1. VDDIO18_DVP/VDDIO3318_DVP: Power domain 0(VDDIO0)
 - a) If DVP function pad need support 1.8V voltage input, VDDIO18_DVP and

- VDDIO3318_DVP supply 1.8V.
- b) If DVP function pad need support 3.3V voltage input, VDDIO18_DVP supply 1.8V and VDDIO3318_DVP supply 3.3V
 2. VDDIO18/VDDIO33: Power domain 1(VDDIO1), VDDIO18 must supply 1.8V voltage, no matter what voltage for this power domain.
 3. VDDIO: Power domain 2(VDDIO2), just support 1.8V voltage, support Fail-Safe feature

2.5.10 DDR PHY IO/Power Supply

Table2- 10 DDR PHY IO/Power Supply Pins (6)

Pin Names	IO	Loc	Pin Description	Power
DDRPLL_VCCA	P	D12	DDRPLL_VCCA: 1.8V, DDR PHY PLL power supply for analog	-
DDRPLL_AVSS	P	E12	DDRPLL_AVSS: DDR PHY PLL ground for analog	-
VDDMEM	P	F6,F7,F8,F9, F10,F11,F12, F13,F14,F15 ,F16	VDDMEM: DDR PHY IO power supply (1.5V for DDR3, 1.35V for DDR3L,1.8V for DDR2)	-
RESETN	AO	B21	RESETN: DDR reset pin	VDDMEM
ODT0	AO	B13	ODT0: DDR rank 0 On-die termination	VDDMEM
CK	AO	B12	CK: DDR clock	VDDMEM
CKB	AO	A12	CKB: DDR inverse clock	VDDMEM
CKE0	AO	C13	CKE0: DDR clock enable	VDDMEM
RASB	AO	C12	RASB: DDR row address strobe	VDDMEM
CASB	AO	A13	CASB: DDR column address strobe	VDDMEM
CSB0	AO	A14	CSB0: DDR chip select 0	VDDMEM
WEB	AO	B14	WEB: DDR write enable	VDDMEM
BA0	AO	A15	BA0: DDR address bus bank 0	VDDMEM
BA1	AO	C15	BA1: DDR address bus bank 1	VDDMEM
BA2	AO	B15	BA2: DDR address bus bank 2	VDDMEM
A0	AO	A16	A0: DDR address bus bit 0	VDDMEM
A1	AO	A17	A1: DDR address bus bit 1	VDDMEM
A2	AO	A18	A2: DDR address bus bit 2	VDDMEM
A3	AO	C16	A3: DDR address bus bit 3	VDDMEM
A4	AO	C17	A4: DDR address bus bit 4	VDDMEM
A5	AO	B17	A5: DDR address bus bit 5	VDDMEM

Pin Names	IO	Loc	Pin Description	Power
A6	AO	A19	A6: DDR address bus bit 6	VDDMEM
A7	AO	B19	A7: DDR address bus bit 7	VDDMEM
A8	AO	A20	A8: DDR address bus bit 8	VDDMEM
A9	AO	C18	A9: DDR address bus bit 9	VDDMEM
A10	AO	C14	A10: DDR address bus bit 10	VDDMEM
A11	AO	B18	A11: DDR address bus bit 11	VDDMEM
A12	AO	B16	A12: DDR address bus bit 12	VDDMEM
A13	AO	A21	A13: DDR address bus bit 13	VDDMEM
A14	AO	B20	A14: DDR address bus bit 14	VDDMEM
A15	AO	C19	A15: DDR address bus bit 15	VDDMEM
A_DM0	AO	B9	A_DM0: DDR left channel data byte 0 mask	VDDMEM
A_DM1	AO	A9	A_DM1: DDR left channel data byte 1 mask	VDDMEM
A_DQS0	AIO	C10	A_DQS0: DDR left channel data byte 0 strobe positive	VDDMEM
A_DQS1	AIO	C7	A_DQS1: DDR left channel data byte 1 strobe positive	VDDMEM
A_DQSB0	AIO	D10	A_DQSB0: DDR left channel data byte 0 strobe negative	VDDMEM
A_DQSB1	AIO	D7	A_DQSB1: DDR left channel data byte 1 strobe negative	VDDMEM
A_DQ0	AIO	C9	A_DQ0: DDR left channel data bus bit 0	VDDMEM
A_DQ1	AIO	D0	A_DQ1: DDR left channel data bus bit 1	VDDMEM
A_DQ2	AIO	A10	A_DQ2: DDR left channel data bus bit 2	VDDMEM
A_DQ3	AIO	B10	A_DQ3: DDR left channel data bus bit 3	VDDMEM
A_DQ4	AIO	D11	A_DQ4: DDR left channel data bus bit 4	VDDMEM
A_DQ5	AIO	C11	A_DQ5: DDR left channel data bus bit 5	VDDMEM
A_DQ6	AIO	B11	A_DQ6: DDR left channel data bus bit 6	VDDMEM
A_DQ7	AIO	A11	A_DQ7: DDR left channel data bus bit 7	VDDMEM
A_DQ8	AIO	D8	A_DQ8: DDR left channel data bus bit 8	VDDMEM
A_DQ9	AIO	C8	A_DQ9: DDR left channel data bus bit 9	VDDMEM
A_DQ10	AIO	B8	A_DQ10: DDR left channel data bus bit 10	VDDMEM
A_DQ11	AIO	A8	A_DQ11: DDR left channel data bus bit 11	VDDMEM
A_DQ12	AIO	C6	A_DQ12: DDR left channel data bus bit 12	VDDMEM

Pin Names	IO	Loc	Pin Description	Power
A_DQ13	AIO	D6	A_DQ13: DDR left channel data bus bit 13	VDDMEM
A_DQ14	AIO	A7	A_DQ14: DDR left channel data bus bit 14	VDDMEM
A_DQ15	AIO	B7	A_DQ15: DDR left channel data bus bit 15	VDDMEM
B_DM0	AO	A3	B_DM0: DDR right channel data byte 0 mask	VDDMEM
B_DM1	AO	B3	B_DM1: DDR right channel data byte 1 mask	VDDMEM
B_DQS0	AIO	A5	B_DQS0: DDR right channel data byte 0 strobe positive	VDDMEM
B_DQS1	AIO	C2	B_DQS1: DDR right channel data byte 1 strobe positive	VDDMEM
B_DQSB0	AIO	B5	B_DQSB0: DDR right channel data byte 0 strobe negative	VDDMEM
B_DQSB1	AIO	C1	B_DQSB1: DDR right channel data byte 1 strobe negative	VDDMEM
B_DQ0	AIO	D4	B_DQ0: DDR right channel data bus bit 0	VDDMEM
B_DQ1	AIO	C4	B_DQ1: DDR right channel data bus bit 1	VDDMEM
B_DQ2	AIO	B4	B_DQ2: DDR right channel data bus bit 2	VDDMEM
B_DQ3	AIO	A4	B_DQ3: DDR right channel data bus bit 3	VDDMEM
B_DQ4	AIO	B6	B_DQ4: DDR right channel data bus bit 4	VDDMEM
B_DQ5	AIO	A6	B_DQ5: DDR right channel data bus bit 5	VDDMEM
B_DQ6	AIO	D5	B_DQ6: DDR right channel data bus bit 6	VDDMEM
B_DQ7	AIO	C5	B_DQ7: DDR right channel data bus bit 7	VDDMEM
B_DQ8	AIO	C3	B_DQ8: DDR right channel data bus bit 8	VDDMEM
B_DQ9	AIO	D3	B_DQ9: DDR right channel data bus bit 9	VDDMEM
B_DQ10	AIO	A2	B_DQ10: DDR right channel data bus bit 10	VDDMEM
B_DQ11	AIO	B2	B_DQ11: DDR right channel data bus bit 11	VDDMEM
B_DQ12	AIO	C2	B_DQ12: DDR right channel data bus bit 12	VDDMEM
B_DQ13	AIO	D2	B_DQ13: DDR right channel data bus bit 13	VDDMEM
B_DQ14	AIO	B1	B_DQ14: DDR right channel data bus bit 14	VDDMEM
B_DQ15	AIO	A1	B_DQ15: DDR right channel data bus bit 15	VDDMEM

2.5.11 USB 2.0 PHY IO/Power Supply

Table2- 11 USB 2.0 PHY IO/Power Supply Pins(8)

Pin Names	IO	Loc	Pin Description	Power
USB0PP	AIO	AA8	USB0PP/ USB0PN: The differential input/output signals of the PHY that support multiple modes. Depending on mode of operation, they are either signaling 3.3 or 800mV differential.	USB_AVD 33
USB0PN	AIO	Y8		
USB0ID	AI	AA9	USB0ID: Used to identify the device attached to the PHY. The state of the pin is one of: high impedance(>1MΩ) or low impedance(<10Ω to ground)	USB_AVD 18
VBUS	AIO	Y9	VBUS: The VBUS power supply can be used for a combination of function.	USB_AVD 33
USB_AVD09	P	V10	USB_AVD09: This is the analog supply that is used to support 0.9V circuits within the PHY.	-
USB_AVD18	P	V9	USB_AVD18: This is the analog supply that is used to support 1.8V signaling.	-
USB_AVD33	P	W8	USB_AVD33: This is the analog supply that is used to support 3.3V signaling.	-
USB_VSSA	P	W9	USB_VSSA: This is the analog ground.	-

2.5.12 MIPI Rx and Tx IO/Power Supply

Table2- 12 MIPI Rx and Tx IO/Power Supply Pins(28)

Pin Names	IO	Loc	Pin Description	Power
RX_DATAP0	AIO	AA1	RX_DATAN0/ RX_DATAP0: MIPI RX D-PHY data lane 0 serial pad	CSI_VCC18
RX_DATAN0		Y1		
RX_DATAP1	AIO	AA2	RX_DATAN1/RX_DATAP1: MIPI RX D-PHY data lane 1 serial pad	CSI_VCC18
RX_DATAN1		Y2		
RX_DATAP2	AIO	W5	RX_DATAN2/RX_DATAP2: MIPI RX D-PHY data lane 2 serial pad	CSI_VCC18
RX_DATAN2		Y6		
RX_DATAP3	AIO	Y5	RX_DATAN3/RX_DATAP3: MIPI RX D-PHY data lane 3 serial pad	CSI_VCC18
RX_DATAN3		AA5		
RX_CLKP	AIO	AA3	RX_CLKN/RX_CLKP: MIPI RX D-PHY clock lane serial pad	CSI_VCC18
RX_CLKN		Y3		
RX_CLKP1	AIO	W4	RX_CLKN1/ RX_CLKP1: MIPI RX D-PHY clock lane 1 serial pad	CSI_VCC18
RX_CLKN1		Y4		
CSI_VCC18	P	V4	CSI_VCC18: power analog supply for IO	-
CSI_VCC09	P	W3	CSI_VCC09: power analog supply for core	-

Pin Names	IO	Loc	Pin Description	Power
CSI_VSSA	P	V5	CSI_VSSA: power analog ground	-
TX_DATAP0	AIO	Y19	TX_DATAN0/TX_DATAP0: MIPI TX D-PHY data lane 0 serial pad	DSI_VCCA18
TX_DATAN0		AA20		
TX_DATAP1	AIO	Y20	TX_DATAN1/TX_DATAP1: MIPI TX D-PHY data lane 1 serial pad	DSI_VCCA18
TX_DATAN1		AA21		
TX_DATAP2	AIO	W20	TX_DATAN2/TX_DATAP2: MIPI TX D-PHY data lane 2 serial pad	DSI_VCCA18
TX_DATAN2		V19		
TX_DATAP3	AIO	V20	TX_DATAN3/TX_DATAP3: MIPI TX D-PHY data lane 3 serial pad	DSI_VCCA18
TX_DATAN3		U19		
TX_CLKP	AIO	Y21	TX_CLKN/TX_CLKP: MIPI TX D-PHY clock lane serial pad	DSI_VCCA18
TX_CLKN		W21		
DSI_VCCA18	P	V18	DSI_VCCA18: power analog supply for IO	-
DSI_VCCA09	P	U18	DSI_VCCA09: power analog supply for core	-
DSI_VSSA	P	U17	DSI_VSSA: power analog ground	-

2.5.13 Successive Approximation ADC(SAR-ADC) IO/Power Supply

Table2- 13 Successive Approximation ADC(SAR-ADC) IO/Power Supply Pins (7)

Pin Names	IO	Loc	Pin Description	Power
SADC_AUX0	AIO	V6	SADC_AUX0: channel 0 input	SADC_AVDD
SADC_AUX1	AIO	AA7	SADC_AUX1: channel 1 input	SADC_AVDD
SADC_AUX2	AIO	W6	SADC_AUX2: channel 2 input	SADC_AVDD
SADC_AUX3	AIO	Y7	SADC_AUX3: channel 3 input	SADC_AVDD
SADC_VREFP	P	V7	SADC_VREFP: Positive reference Voltage input	-
SADC_AVDD	P	W7	SADC_AVDD: analog power, 1.8 V	-
SADC_AGND	P	V8	SADC_AGND: analog power, ground	-

2.5.14 Audio CODEC IO and Power Supply

Table2- 14 Audio CODEC IO and Power Supply Pins (9)

Pin Names	IO	Loc	Pin Description	Power
MICNR	AIO	T20	MICNR: differential microphone input	CODEC_AVDD
MICPR	AIO	R20	MICPR: differential microphone input	CODEC_AVDD
MICNL	AIO	U21	MICNL: differential microphone input	CODEC_AVDD

Pin Names	IO	Loc	Pin Description	Power
MICPL	AIO	U20	MICPL: differential microphone input	CODEC_AVDD
HPOUTL	AIO	R21	HPOUTL: headphone output	CODEC_AVDD
VCM	AIO	R19	VCM: Reference voltage output	CODEC_AVDD
MICBIAS	AIO	T19	MICBIAS: Microphone bias output	CODEC_AVDD
CODEC_AVDD	P	T18	CODEC_AVDD:1.8V analog supply	-
CODEC_AVSS	P	R18	CODEC_AVDD: ground analog supply	-

2.5.15 OTP Power Supply

Table2- 15 OTP Power Supply Pins (1)

Pin Names	IO	Loc	Pin Description	Power
EFUSE_AVDD	P	K5	EFUSE_AVDD: EFUSE programming power, 1.8V	-

2.5.16 OSC and PLL IO/Power Supply

Table2- 16 OSC and PLL IO/Power Supply Pins (5)

Pin Names	IO	Loc	IO Cell Char.	Pin Description	Power
EXCLK_XI	AI	M1	2~30 MHz Oscillator, OSC on/off	EXCLK_XI: external oscillator clock input or external 24MHz clock input	PLL_AVDD
EXCLK_XO	AO	M2		EXCLK_XO: external oscillator clock output	PLL_AVDD
PLL_VDD	P	M3	-	PLL_VDD: PLL analog power, 0.9V	-
PLL_AVDD	P	M4	-	PLL_AVDD: PLL analog power, 1.8V	-
PLL_AVSS	P	N5	-	PLL_AVSS: PLL analog power, ground	-

NOTES:

- The meaning of phases in IO cell characteristics are:
 - 6/10mA out: The IO cell's output driving strength is about 8/16mA.
 - Pullup: The IO cell contains a pull-up resistor and fixed pull up.
 - Pulldown: The IO cell contains a pull-down resistor and fixed pull down.
 - Pullup-rst: The IO cell during reset and after the pull up function is enabled.
 - Pulldown-rst: The IO cell during reset and after the pull down function is enabled.
 - Hi-Z-rst: The IO cell during reset and after the pull up and down function is disabled.
 - SMT: The IO cell is Schmitt trigger input and fixed.
 - SMT-rst: The IO cell during reset and after the Schmitt trigger input function is enabled.

SR-rst: The IO cell during reset and after the slew-rate function select fast mode.

3 Electrical Specifications

3.1 Absolute Maximum Ratings

The absolute maximum ratings for the processors are listed in Table 3-1. Do not exceed these parameters or the part may be damaged permanently. Operation at absolute maximum ratings is not guaranteed.

Table3- 1 Absolute Maximum Ratings

Parameter	Min	Max	Unit
Storage Temperature	-65	150	°C
Operation Temperature	-40	125	°C
VDDMEM power supplies voltage	-0.1	1.98	V
DDRVDD power supplies voltage	-0.1	1.98	V
DDRPLL_VCCA power supplies voltage	-0.1	1.98	V
VDDIO power supplies voltage	-0.5	1.98	V
VDDIO18 power supplies voltage	-0.5	1.98	V
VDDIO33 power supplies voltage	-0.5	3.63	V
VDDIO18_DVP power supplies voltage	-0.5	1.98	V
VDDIO33_DVP power supplies voltage	-0.5	3.63	V
VDD power supplies voltage	-0.1	0.99	V
PLL_VDD power supplies voltage	-0.1	0.99	V
PLL_AVDD power supplies voltage	-0.1	1.98	V
EFUSE_AVDD power supplies voltage	-0.1	1.98	V
SADC_AVDD power supplies voltage	-0.1	1.98	V
CSI_VCC09 power supplies voltage	-0.1	0.99	V
CSI_VCC18 power supplies voltage	-0.1	1.98	V
DSI_VCCA09 power supplies voltage	-0.1	0.99	V
DSI_VCCA18 power supplies voltage	-0.1	1.98	V
USB_AVD09 power supplies voltage	-0.1	0.99	V
USB_AVD18 power supplies voltage	-0.1	1.98	V
USB_AVD33 power supplies voltage	-0.1	3.6	V
CODEC_AVDD power supplies voltage	-0.1	1.98	V
Maximum ESD stress voltage, Human Body Model; Any pin to any supply pin, either polarity, or Any pin to all non-supply pins together, either polarity. Three stresses maximum.	-	2000	V

3.2 Recommended operating conditions

Table3- 2 Recommended operating conditions for power supplies

Symbol	Description	Min	Typ	Max	Unit
VDDMEM	VDDMEM voltage for SSTL18 (DDR2)	1.283	1.5	1.98	V

Symbol	Description	Min	Typ	Max	Unit
DDRVDD	DDR KGD power supplies voltage	1.283	1.5	1.98	V
DDRPLL_VCCA	DDR PLL power supplies voltage	1.62	1.8	1.98	V
VDDIO	GPIO power domain 2 supplies voltage	1.62	1.8	1.98	V
VDDIO18	GPIO power domain 1 supplies voltage	1.62	1.8	1.98	V
VDDIO33	GPIO power domain 1 supplies voltage	3.0	3.3	3.63	V
VDDIO18_DVP	GPIO power domain 0 supplies voltage	1.5	1.8	1.98	V
VDDIO3318_DVP	GPIO power domain 0 supplies voltage	1.62	3.3	3.63	V
VDD	VDD core supplies voltage	0.81	0.9	0.99	V
PLL_VDD	PLL digital voltage	0.81	0.9	0.99	V
PLL_AVDD	PLL analog voltage	1.62	1.8	1.98	V
EFUSE_AVDD	EFUSE program supplies voltage	1.62	1.8	1.98	V
SADC_AVDD	SAR-ADC analog voltage	1.62	1.8	1.98	V
CSI_VCC09	MIPI RX CORE analog voltage	0.81	0.9	0.99	V
CSI_VCC18	MIPI RX IO analog voltage	1.62	1.8	1.98	V
DSI_VCC09	MIPI TX CORE analog voltage	0.81	0.9	0.99	V
DSI_VCC18	MIPI TX IO analog voltage	1.62	1.8	1.98	V
USB_AVDD09	USB PHY VCCCORE analog voltage	0.81	0.9	0.99	V
USB_AVDD18	USB PHY VCC18 analog voltage	1.62	1.8	1.98	V
USB_AVDD33	USB PHY VCCA3P3 analog voltage	3.0	3.3	3.6	V
CODEC_AVDD	CODEC analog voltage	1.62	1.8	1.98	V

Table3- 3 Recommended operating conditions for VDDIO0/VDDIO1/VDDIO2 supplied pins

Symbol	Parameter	Min	Typ	Max	Unit
V _{IH18}	Input high voltage for 1.8V I/O application	*0.65	-	+0.3	V
V _{IL18}	Input low voltage for 1.8V I/O application	-0.3	-	*0.35	V
V _{IH33}	Input high voltage for 3.3V I/O application	2	-	+0.3	V
V _{IL33}	Input low voltage for 3.3V I/O application	-0.3	-	0.8	V

Table3- 4 Recommended operating conditions for others

Symbol	Description	Min	Typ	Max	Unit
T _A	Ambient temperature	-20	25	+85	°C
T _J	Junction temperature	-40	25	+125	°C

3.3 General Purpose Input/Output(GPIO)

Power Domain	Voltage Supply
VDDIO0	VDDIO18_DVP/VDDIO_3318_DVP
VDDIO1	VDDIO18/VDDIO33

Power Domain	Voltage Supply
VDDIO2	VDDIO

3.3.1 Power Domain VDDIO0 DC Characteristics

Parameter		Min	Nom	Max	Unit
V _{IL}	Input Low Voltage	-0.3	-	0.58	V
V _{IH}	Input High Voltage	1.27	-	2	V
V _T	Threshold Point	0.91	0.97	1.03	V
V _{T+}	Schmitt Trigger Low to High Threshold Point	1.03	1.07	1.12	V
V _{T-}	Schmitt Trigger High to Low Threshold Point	0.75	0.83	0.91	V
V _{TPU}	Threshold Point with Pull-up Resistor Enabled	0.9	0.96	1.02	V
V _{TPD}	Threshold Point with Pull-down Resistor Enabled	0.91	0.97	1.06	V
V _{T+PU}	Schmitt Trigger Low to High Threshold Point with Pull-up Resistor Enabled	1.02	1.06	1.11	V
V _{T-PU}	Schmitt Trigger High to Low Threshold Point with Pull-up Resistor Enabled	0.74	0.82	0.9	V
V _{T+PD}	Schmitt Trigger Low to High Threshold Point with Pull-down Resistor Enabled	1.03	1.08	1.13	V
V _{T-PD}	Schmitt Trigger High to Low Threshold Point with Pull-down Resistor Enabled	0.75	0.83	0.92	V
I _I	Input Leakage Current @ V _I = 1.8V or 0V	-	-	±10μ	A
I _{OZ}	Tri-state Output Leakage Current @ V _O = 1.8V or 0V	-	-	±10μ	A
R _{SPU}	Strong Pull-up Resistor	-	-	-	Ω
R _{PU}	Pull-up Resistor	33k	60k	92k	Ω
R _{PD}	Pull-down Resistor	34k	61k	158k	Ω
V _{OL}	Output Low Voltage	-	-	0.45	V
V _{OH}	Output High Voltage	1.4	-	-	V
I _{OL}	Low Level Output Current @ V _{OL(max)}				
	(DS1,DS0) = '00'	4.9	7.8	11.1	mA
	(DS1,DS0) = '01'	7.4	11.7	16.3	mA
	(DS1,DS0) = '10'	9.8	15.5	21.6	mA
	(DS1,DS0) = '11'	12.2	19.1	26.6	mA
	(DS2,DS1,DS0) = '000'	4.9	7.8	11.1	mA
	(DS2,DS1,DS0) = '001'	7.4	11.7	16.4	mA
	(DS2,DS1,DS0) = '010'	9.8	15.5	21.7	mA
	(DS2,DS1,DS0) = '011'	12.2	19.2	26.7	mA
	(DS2,DS1,DS0) = '100'	14.6	23.0	31.9	mA
	(DS2,DS1,DS0) = '101'	17.0	26.6	36.8	mA
	(DS2,DS1,DS0) = '110'	19.4	30.2	41.6	mA
	(DS2,DS1,DS0) = '111'	21.7	33.7	46.2	mA

Parameter		Min	Nom	Max	Unit
I _{OH}	High Level Output Current @ V _{OH} (min)				
	(DS1,DS0) = '00'	3.6	6.2	9.6	mA
	(DS1,DS0) = '01'	5.4	9.3	14.3	mA
	(DS1,DS0) = '10'	7.3	12.4	19.1	mA
	(DS1,DS0) = '11'	9.1	15.5	23.8	mA
	(DS2,DS1,DS0) = '000'	3.6	6.2	9.5	mA
	(DS2,DS1,DS0) = '001'	5.4	9.3	14.3	mA
	(DS2,DS1,DS0) = '010'	7.2	12.4	19.1	mA
	(DS2,DS1,DS0) = '011'	9.0	15.4	23.8	mA
	(DS2,DS1,DS0) = '100'	10.8	18.5	28.5	mA
	(DS2,DS1,DS0) = '101'	12.6	21.6	33.1	mA
	(DS2,DS1,DS0) = '110'	14.4	24.6	37.8	mA
	(DS2,DS1,DS0) = '111'	16.2	27.7	42.5	mA

3.3.2 Power Domain VDDIO1 DC Characteristics

Parameter		Min	Nom	Max	Unit
V _{IL}	Input Low Voltage	-0.3	-	0.8	V
V _{IH}	Input High Voltage	2.0	-	VDDIO 1 + 0.3	V
V _T	Threshold Point	1.03	1.18	1.36	V
V _{T+}	Schmitt Trigger Low to High Threshold Point	1.22	1.33	1.49	V
V _{T-}	Schmitt Trigger High to Low Threshold Point	0.87	1.02	1.2	V
V _{T_{PU}}	Threshold Point with Pull-up Resistor Enabled	1.01	1.15	1.33	V
V _{T_{PD}}	Threshold Point with Pull-down Resistor Enabled	1.03	1.19	1.38	V
V _{T_{PU}} ⁺	Schmitt Trigger Low to High Threshold Point with Pull-up Resistor Enabled	1.2	1.31	1.46	V
V _{T_{PU}} ⁻	Schmitt Trigger High to Low Threshold Point with Pull-up Resistor Enabled	0.85	1	1.16	V
V _{T_{PD}} ⁺	Schmitt Trigger Low to High Threshold Point with Pull-down Resistor Enabled	1.23	1.35	1.51	V
V _{T_{PD}} ⁻	Schmitt Trigger High to Low Threshold Point with Pull-down Resistor Enabled	0.87	1.03	1.21	V
I _I	Input Leakage Current @ V _I = 1.8V or 0V	-	-	±10μ	A
I _{OZ}	Tri-state Output Leakage Current @ V _O = 1.8V or 0V	-	-	±10μ	A
R _{SPU}	Strong Pull-up Resistor	-	-	-	Ω
R _{PU}	Pull-up Resistor	26k	47k	72k	Ω
R _{PD}	Pull-down Resistor	27k	54k	267k	Ω
V _{OL}	Output Low Voltage	-	-	0.4	V
V _{OH}	Output High Voltage	2.4	-	-	V

Parameter		Min	Nom	Max	Unit
I _{OL}	Low Level Output Current @ V _{OL} (max)				
	(DS2,DS1,DS0) = '000'	4.5	7.1	10.0	mA
	(DS2,DS1,DS0) = '001'	6.7	10.6	14.9	mA
	(DS2,DS1,DS0) = '010'	9.0	14.1	19.7	mA
	(DS2,DS1,DS0) = '011'	11.2	17.6	24.4	mA
	(DS2,DS1,DS0) = '100'	13.4	21.0	29.1	mA
	(DS2,DS1,DS0) = '101'	15.6	24.4	33.6	mA
	(DS2,DS1,DS0) = '110'	17.7	27.7	38.1	mA
I _{OH}	High Level Output Current @ V _{OH} (min)				
	(DS2,DS1,DS0) = '000'	4.5	6.5	8.7	mA
	(DS2,DS1,DS0) = '001'	6.8	9.7	13.0	mA
	(DS2,DS1,DS0) = '010'	9.1	12.9	17.4	mA
	(DS2,DS1,DS0) = '011'	11.3	16.1	21.6	mA
	(DS2,DS1,DS0) = '100'	13.6	19.3	25.9	mA
	(DS2,DS1,DS0) = '101'	15.8	22.5	30.2	mA
	(DS2,DS1,DS0) = '110'	18.1	25.7	34.5	mA
(DS2,DS1,DS0) = '111'	20.3	28.9	38.8	mA	

3.3.3 Power Domain VDDIO2 DC Characteristics

Parameter		Min	Nom	Max	Unit
V _{IL}	Input Low Voltage	-0.3	-	0.35*V DDIO	V
V _{IH}	Input High Voltage	0.65*V DDIO	-	1.98	V
V _T	Threshold Point	0.83	0.91	1	V
V _{T+}	Schmitt Trigger Low to High Threshold Point	0.95	1.03	1.12	V
V _{T-}	Schmitt Trigger High to Low Threshold Point	0.71	0.8	0.9	V
V _{T_{PU}}	Threshold Point with Pull-up Resistor Enabled	0.82	0.9	1	V
V _{T_{PD}}	Threshold Point with Pull-down Resistor Enabled	0.84	0.92	1	V
V _{T₊_{PU}}	Schmitt Trigger Low to High Threshold Point with Pull-up Resistor Enabled	0.95	1.02	1.11	V
V _{T₋_{PU}}	Schmitt Trigger High to Low Threshold Point with Pull-up Resistor Enabled	0.7	0.79	0.89	V
V _{T₊_{PD}}	Schmitt Trigger Low to High Threshold Point with Pull-down Resistor Enabled	0.96	1.05	1.12	V
V _{T₋_{PD}}	Schmitt Trigger High to Low Threshold Point with Pull-down Resistor Enabled	0.72	0.81	0.91	V
I _I	Input Leakage Current @ V _I = 1.8V or 0V	-	-	±10μ	A
I _{OZ}	Tri-state Output Leakage Current @ V _O = 1.8V or 0V	-	-	±10μ	A

Parameter		Min	Nom	Max	Unit
R _{SPU}	Strong Pull-up Resistor	-	-	-	Ω
R _{PU}	Pull-up Resistor	55k	79k	121k	Ω
R _{PD}	Pull-down Resistor	51k	87k	169k	Ω
V _{OL}	Output Low Voltage	-	-	0.45	V
V _{OH}	Output High Voltage	1.35	-	-	V
I _{OL}	Low Level Output Current @ V _{OL} (max)				
	(DS1,DS0) = '00'	7.6	12.8	18.0	mA
	(DS1,DS0) = '01'	15.2	25.3	35.5	mA
	(DS1,DS0) = '10'	22.6	37.4	52.2	mA
I _{OH}	High Level Output Current @ V _{OH} (min)				
	(DS1,DS0) = '00'	4.8	10.8	18.9	mA
	(DS1,DS0) = '01'	9.5	21.5	37.4	mA
	(DS1,DS0) = '10'	14.3	32.1	55.9	mA
	(DS1,DS0) = '11'	18.9	42.4	73.9	mA

3.4 Audio Codec

3.4.1 Electrical Characteristics

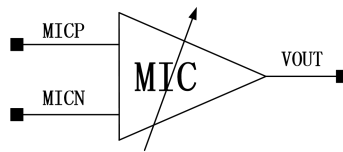
Test conditions: CODEC_AVDD=1.8V,VDD=0.9V,TA=25°C,1KHz Sine Input, Fs=48KHz

Parameter	Symbol	Condition	Min	Typ	Max	Unit
Microphone Bias						
Bias Voltage	V _{MICB}	-	0.8*CODEC_AVDD	-	0.975*CODEC_AVDD	V
Bias Current	I _{MICB}	-	-	-	3	mA
Microphone Gain Boost PGA						
Programmable Gain	G _{BST}	-	0	-	20	dB
Input Resistance	R _{IN}	-	8	-	88	KΩ
Input Capacitance	C _{IN}	-	-	10	-	pF
ALC PGA						
Programmable Gain	G _{ALC}	-	-18	-	28.5	dB
Gain Step Size	-	-	-	1.5	-	dB
ADC						
Signal to Noise Ratio	SNR	A-weighted	-	90	-	dB
Total Harmonic Distortion	THD	-3dBFS input	-	-81	-	dB
Channel Separation	-	-	-	80	-	dB
Headphone Output Driver						
Programmable Gain	G _{DRV}	-	-39	-	6	dB
Gain Step Size	-	-	-	1.5	-	dB
Output Resistance	R _{OUT}	-	-	-	1	Ω
Output Capacitance	C _{OUT}	-	-	20	-	pF

Power Supply Rejection	P _{SRR}	1KHz	-	55	-	dB
Headphone Output						
Signal to Noise Ratio	SNR	A-weighted	-	92	-	dB
Total Harmonic Distortion	THD	60mW16Ω load	-	-70	-	dB
		30mW32Ω load	-	-75	-	dB
		-3dBFS output 600Ω load	-	-80	-	dB
Channel Separation	-	-	-	80	-	dB

3.4.2 Analog Interface Description

3.4.2.1 Microphone input



There are two inputs channels named left ADC channel and right ADC channel. In the each channel, there are two inputs which are configured as differential input by the microphone PGA(MICL and MICR).

In the left channel, microphone inputs are MICPL and MICNL. In the right channel, microphone inputs are MICPR and MICRL.

Microphone PGA has a gain range from 0dB to 20dB.

3.4.2.2 ALC

Automatic Level Control (ALC) function is included to adjust the signal level, which is input into ADC. ALC will measure the signal magnitude and compare it to defined threshold. Then it will adjust the ALC controlled PAG (ALC_L and ALC_R) gain according to the comparison result.

The programmable gain range of ALC controlled PAG is from -18dB to +28.5dB. The tuning step is 1.5dB.

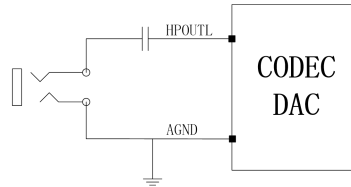
3.4.2.3 DAC OUTPUT

Support headphone output or line output configurations. The output can drive load through DC-blocking capacitor.

In the configuration using DC-blocking capacitor, shown in the following figure, the headphone ground is connected to the real ground. The capacitance and the resistance determine the lower cut-off frequency. For instance, if 600Ω load and 4.7uF DC-blocking capacitor is used, the lower cut-off frequency is:

$$f = \frac{1}{2 \times RC} = \frac{1}{2 \times 600 \times 4.7 \times 10^{-6}} = 56.5 \text{ Hz}$$

The DC-blocking capacitor can be increased to lower the cut-off frequency for better bass response.



The out driver has a gain range from -39dB to +6dB with a tuning step of 1.5dB.

3.4.2.4 Microphone Bias

The output of the Microphone bias is used for bias external microphones. The bias voltage can vary from $0.8 \times \text{CODEC_AVDD}$ to $0.975 \times \text{CODEC_AVDD}$ with a step of $0.025 \times \text{CODEC_AVDD}$.

Microphone PGA has four gains to amplify the input signal, that is, 0dB, 20dB, 30dB and 40dB.

3.5 MIPI Tx D-PHY

MIPI D-PHY contains tunable source termination and pre-emphasis to enable high speed operation. The Transceiver meets the AC specification below across all operating conditions specified.

3.5.1 DC Specifications

Table3- 5 HS Transmitter DC Specifications

Parameter	Description	Min	Nom	Max	Unit	Note
V_{CMTX}	HS TX static Common-mode voltage	150	200	250	mV	1
$ \Delta V_{\text{CMTX}(1,0)} $	V_{CMTX} mismatch when output is Differential-1 or Differential-0	-	5	-	mV	2
$ V_{\text{OD}} $	HS transmit differential voltage	140	200	270	mV	1
$ \Delta V_{\text{OD}} $	V_{OD} mismatch when output is Differential-1 or Differential-0	-	-	14	mV	2
V_{OHHS}	HS output high voltage	-	-	360	mV	1
Z_{OS}	Single ended output impedance	40	50	62.5	ohm	-
ΔZ_{OS}	Single ended output impedance mismatch	-	-	10	%	-

NOTES:

1. Value when driving into load impedance anywhere in the Z_{ID} range
2. It is recommended that the implementer minimize ΔV_{OD} and $\Delta V_{\text{CMTX}(1,0)}$ in order to minimize radiation and optimize signal integrity

Table3- 6 LP Transmitter DC Specification

Parameter	Description	Min	Nom	Max	Unit	Note
V_{OH}	The venin output high level	1.08	1.2	1.32	V	-
V_{OL}	The venin output low level	-50	-	50	mV	-
Z_{OLP}	Output impedance of LP transmitter	110	-	-	Ω	1

NOTES:

1. Though no maximum value for Z_{OLP} is specified. The LP transmitter output impedance shall ensure that the T_{RLP}/T_{FLP} specification is met

3.5.2 AC Specifications

Table3- 7 HS Transmitter AC Specifications

Parameter	Description	Min	Nom	Max	Unit	Note
$\Delta V_{CMTX(HF)}$	Common-mode variations above 450MHz	-	-	15	mV _{RMS}	-
$\Delta V_{CMTX(LF)}$	Common-mode variations between 50MHz-450MHz	-	-	25	mV _{PEAK}	-
T_R and T_F	20%-80% rise time and fall time	-	-	0.3	UI	1,2
		-	-	0.35	UI	1,3
		100	-	-	ps	4
		-	-	0.4	UI	5
		50	-	-	ps	6

NOTES:

1. UI is equal to $1/(2*fh)$
2. Applicable when supporting maximum HS bit rates ≤ 1 Gbps ($UI \geq 1ns$)
3. Applicable when supporting maximum HS bit rates > 1 Gbps($UI \leq 1ns$) but less than 1.5 Gbps($UI \geq 0.667ns$)
4. Applicable when supporting maximum HS bit rates ≤ 1.5 Gbps. However, to avoid excessive radiation, bit rates ≤ 1.5 Gbps should not use values below 100 ps and bit rates ≤ 1.5 Gbps should not use values below 150 ps

Table3- 8 LP Transmitter AC specifications

Parameter	Description	Min	Nom	Max	Unit	Note	
T_{RLP}/T_{FLP}	15%-85% rise time and fall time	-	-	25	ns	1	
T_{REOT}	30%-85% rise time and fall time	-	-	35	ns	5,6	
$T_{LP-PULSE-TX}$	Pulse width of exclusive-OR clock the LP	First LP exclusive-OR clock pulse after stop state or last pulse before stop state	40	-	0.4	ns	4
		All other pulses	20	-	-		
$T_{LP-PER-TX}$	Period of the LP exclusive-OR clock	90	-	-	ns	-	
$\delta V / \delta t_{SR}$	Slew rate @ $C_{LOAD} = 0pF$	-	-	500	mV/ns	1,3,7,8	
	Slew rate @ $C_{LOAD} = 5pF$	-	-	300	mV/ns	1,3,7,8	
	Slew rate @ $C_{LOAD} = 20pF$	-	-	250	mV/ns	1,3,7,8	
	Slew rate @ $C_{LOAD} = 70pF$	-	-	150	mV/ns	1,3,7,8	
	Slew rate @ $C_{LOAD} = 0$ to 70pF(Falling Edge Only)	30	-	-	mV/ns	1,2,3,12	
		25	-	-	mV/ns	1,2,13,16	
	Slew rate @ $C_{LOAD} = 0$ to 70pF(Rising Edge Only)	30	-	-	mV/ns	1,3,9,12	

Parameter	Description	Min	Nom	Max	Unit	Note
		25	-	-	mV/ns	1,3,13,15
	Slew rate @ C _{LOAD} = 0 to 70pF(Rising Edge Only)	30-0.075*(V _{O,INST} - 700)	-	-	mV/ns	1,3,10,11,12
		30-0.075*(V _{O,INST} - 700)	-	-	-	1,3,10,14,13
C _{LOAD}	Load capacitance	0	-	70	pF	1

NOTES:

1. C_{LOAD} includes the low-frequency equivalent transmission line capacitance. The capacitance of TX and RX are assumed to always be < 10 pF. The distributed line capacitance can be up to 50 pF for a transmission line with 2ns delay
2. When the output voltage is between 400mV and 930mV
3. Measured as average across any 50mV segment of the output signal transition
4. This parameter value can be lower than TLPX due to differences in rise vs. fall signal slopes and trip levels and mismatches between Dp and Dn LP transmitters
5. The rise-time of T_{REOT} starts from the HS common-level at the moment the differential amplitude drops below 70mV, due to stopping the differential drive
6. With an additional load capacitance C_{CM} between 0 and 60pF on the termination center tap at RX side of the Lane
7. This value represents a corner point in a piecewise linear curve
8. When the output voltage is in the range specified by VPIN(absmax)
9. When the output voltage is between 400mV and 700mV
10. Where V_{O,INST} is the instantaneous output voltage, VDP or VDN, in millivolts
11. When the output voltage is between 700mV and 930mV
12. Applicable when the supported data rate ≤ 1.5 Gbps
13. Applicable when the supported data rate > 1.5 Gbps
14. When the output voltage is between 550mV and 790mV
15. When the output voltage is between 400mV and 550mV
16. When the output voltage is between 400mV and 790mV

3.6 MIPI Rx D-PHY

MIPI D-PHY meets the DC and AC specification below across all operating conditions specified.

3.6.1 DC Specifications

Table3- 9 HS Receiver DC Specifications

Parameter	Description	Min	Nom	Max	Unit	Note
V _{CMRX(DC)}	Common-mode voltage HS receive	70	-	300	mV	1,2
V _{IDTH}	Differential input high threshold	-	-	70	mV	3
		-	-	40	mV	4
V _{IDTL}	Differential input low threshold	-70	-	-	mV	3
		-40	-	-	mV	4
V _{IHHS}	Single-ended input high voltage	-	-	460	mV	1
V _{ILHS}	Single-ended input low voltage	-40	-	-	mV	1
V _{TERM-EN}	Single ended threshold for HS termination enable	-	-	450	mV	-
Z _{ID}	Differential input impedance	80	100	125	ohm	-

NOTES:

1. Excluding possible additional RF interference of 100mV peak sine wave beyond 450MHz
2. This table value includes a ground difference of 50mV between the transmitter and the receiver, the static common-mode level tolerance and variations below 450MHz
3. For devices supporting data rates ≤ 1.5 Gbps
4. For devices supporting data rates > 1.5 Gbps

Table3- 10 LP Receiver DC Specification

Parameter	Description	Min	Nom	Max	Unit	Note
V _{IH}	Logic 1 input voltage	880	-	-	mV	1
		740	-	-	mV	2
V _{IL}	Logic 0 input voltage, not in ULP state	-	-	550	mV	-
V _{IL-ULPS}	Logic 0 input voltage, ULP state	-	-	300	mV	-
V _{HYST}	Input hysteresis	25	-	-	mV	-

NOTES:

1. Applicable when the supported data rate ≤ 1.5 Gbps
2. Applicable when the supported data rate > 1.5 Gbps

3.6.2 AC Specifications

Table3- 11 HS Receiver AC Specifications

Parameter	Description	Min	Nom	Max	Unit	Note
ΔV _{CMRX(HF)}	Common-mode interference beyond 450MHz	-	-	100	mV	2,5
		-	-	50	mV	2,6

Parameter	Description	Min	Nom	Max	Unit	Note
$\Delta V_{CMRX(LF)}$	Common-mode interference 50MHz-450MHz	-50	-	50	mV	1,4,5
		-25	-	25	mV	1,4,6
CCM	Common-mode termination	-	-	60	pF	3

NOTES:

1. Excluding 'static' ground shift of 50mV
2. $\Delta V_{CMRX(HF)}$ is the peak amplitude of a sine wave superimposed on the receiver inputs
3. For higher bit rates a 14pF capacitor will be needed to meet the common-mode return loss specification
4. Voltage difference compared to the DC average common-mode potential
5. For devices supporting data rates ≤ 1.5 Gbps
6. For devices supporting data rates > 1.5 Gbps

Table3- 12 LP Receiver AC specifications

Parameter	Description	Min	Nom	Max	Unit	Note
eSPIKE	Input pulse rejection	-	-	300	V.ps	1,2,3
T _{MIN-RX}	Minimum pulse width response	20	-	-	ns	4
V _{INT}	Peak interference amplitude	-	-	200	mV	-
f _{INT}	Interference frequency	450	-	-	MHz	-

NOTES:

1. Time-voltage integration of a spike above V_{IL} when being in LP-0 state or below V_{IH} when being in LP-1 state
2. An impulse less than this will not change the receiver state
3. In addition to the required glitch rejection, implementers shall ensure rejection of known RF-interferers
4. An input pulse greater than this shall toggle the output

3.7 USB 2.0 OTG PHY

3.7.1 DC/AC Specifications

Table3- 13 Transmitter Specification

Description	Min	Typ	Max	Unit
USB_AVD33	3.0	3.3	3.6	V
USB_AVD09	0.81	0.9	0.99	V
High input level(V _{IH})	-	1.2	-	V
Low input level(V _{IL})	-	0	-	V
Output resistance(R _{OUT}) Classic mode(V _{OUT} = 0 or 3.3V) HS mode(V _{OUT} = 0 to 800mV)	40.5	45	49.5	ohms
	40.5	45	49.5	ohms
Output capacitance(seen from D+ or D-)(C _{OUT})	-	-	3	pF

Description	Min	Typ	Max	Unit
Differential output signal high Classic(LS/FS); I _o = 0mA(V _{OH})	2.97	3.3	3.63	V
Classic(LS/FS); I _o = 6mA	2.2	2.7	-	
HS mode; I _o = 0mA	360	400	440	
Differential output signal low Classic(LS/FS); I _o = 0mA(V _{OL})	-0.33	0	0.33	V
Classic(LS/FS); I _o = 6mA	-	0.3	0.8	
HS mode; I _o = 0mA	-40	0	40	
Output Common Mode Voltage Classic(LS/FS) mode(V _M)	1.45	1.65	1.85	V
HS mode	0.175	0.2	0.225	V
Rise and fall time LS mode	75	87.5	300	ns
(T _R /T _F) FS mode	4	12	20	ns
HS mode	0.8	1.0	1.2	ns
Vring into load	-	-	10	%
Propagation delay(data to D+/D-) LS mode	30	TBD	300	ns
FS mode	0		12	ns
HS mode	-		-	ns
Propagation delay(tx_en to D+/D-) Classic mode (TPZH/TPZL)	-	-	2	ns
HS mode	-	-	2	ns
Adaptive termination acquisition	-	-	7.5	7.5MHz Cycles

Table3- 14 Receiver Specifications

Description	Min	Typ	Max	Unit
USB_AVD33	3.0	3.3	3.6	V
Receiver sensitivity(RSENS)				
Classic mode		+250		mV
HS mode		+25		mV
Receiver common mode(RCM)				
Classic mode	0.8	1.65	2.5	V
HS mode(differential and squelch comparator)	0.1	0.2	0.3	V
HS mode(disconnect comparator)	0.5	0.6	0.7	V
Input capacitance(seen at D+ or D-)	-	-	3	pF
Squelch threshold	100	-	150	mV
Disconnect threshold	570	600	664	mV
High output level(V _{OH})	-	1.8	-	V
Low output level(V _{OL})	-	0	-	V
Propagation delay(TP)				
Classic mode(D+/D- to cl_diff_rx)			16	ns
Classic mode(D+/D- to se_datap_rx or se_datam_rx)			8	ns
HS mode(D+/D- to input of DLL)			1	ns

Table3- 15 Reference Specification

Description	Min	Typ	Max	Unit
VCCBG	3.0	3.3	3.6	V
Bandgap voltage(5% tolerance)	1.18	1.25	1.312	V
Current reference(2% tolerance)	290	300	306	uA
Power	-	-	6	mW
Reference_en to stable voltage reference	-	-	4	us

Table3- 16 Clock and Data Recovery Specification

Description	Min	Typ	Max	Unit
USB_AVD09	0.81	0.9	0.99	V
Bit loss *The total bit loss through a receive path is 4 bit times. This is divided between the Rx un-squelching circuitry and the DLL.	-	-	4	bits
Latency(intrinsic)	-	-	4	clock cycles
Latency(elasticity buffer)	-	-	17	clock cycles

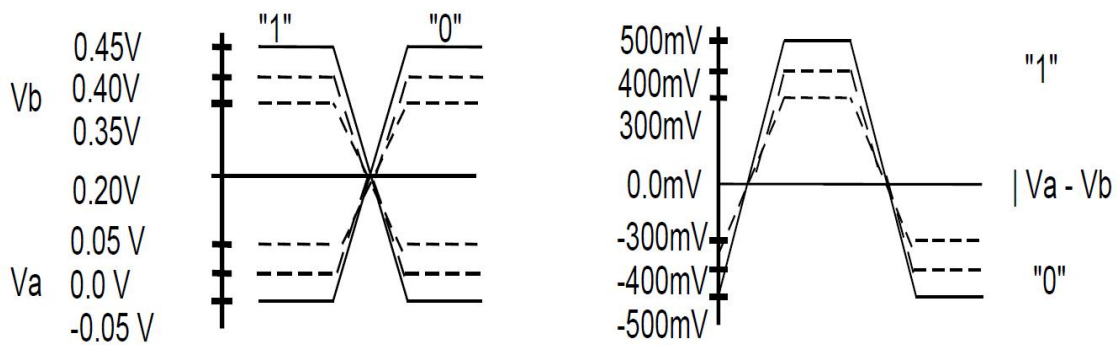


Figure3- 1 Single Ended Signal Swing

Differential Signal Swing

Table3- 17 VBUS DC Parameters

Parameter	Symbol	Min	Typ	Max	Unit
VBUS Voltage					
VBUS Output Voltage	VBUS	4.6	-	5.25	V
VBUS_VALID Comparator Threshold	-	4.4	4.5	4.6	V
SESSION_VALID Comparator Threshold	-	1.0	1.4	1.8	V
B_SESSION_END Comparator Threshold	-	0.4	0.5	0.6	V

Parameter	Symbol	Min	Typ	Max	Unit
Pullup/Pulldown Resistor Specifications(DP,DM,UID)					
Pulldown Resistor on DP	-	14.5	15	16	KΩ
Pulldown Resistor on DM	-	14.5	15	16	KΩ
Pullup Resistor on DP	-	2.35	2.4	2.5	KΩ
Pullup Resistor in DM	-	2.35	2.4	2.5	KΩ
UID Pullup Resistor	-	160	200	240	KΩ

3.8 Power On, Reset and BOOT

3.8.1 Power-On Timing

The external voltage regulator and other power-on devices must provide the T40A processor with a specific sequence of power and resets to ensure proper operation. Figure 3-2 shows this sequence and Table 3- 18 gives the timing parameters. Following are the name of the power.

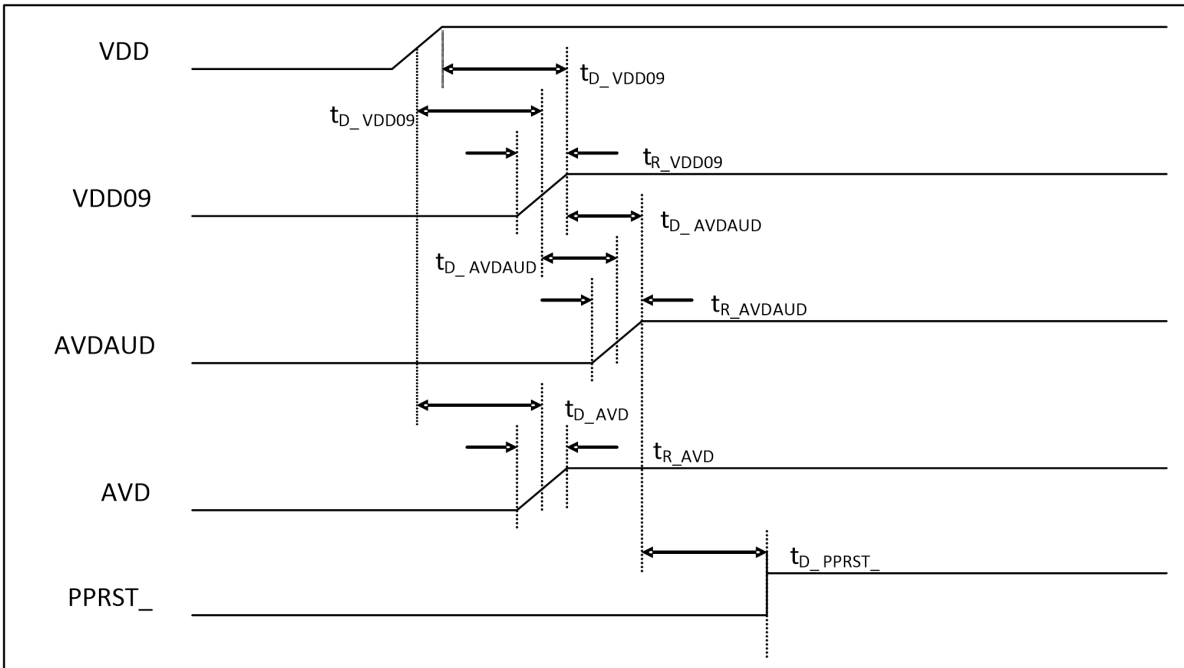
- VDD09: all 0.95V power supplies: VDD, CSI_VCC09, DSI_VCCA09, USB_AVDD09, PLL_VDD
- VMEM: DDRVDD, VDDMEM
- VDDIO18: all other digital IO: VDDIO, VDDIO18, VDDIO18_DVP, VDDIO3318_DVP, PLL_AVDD, SADC_AVDD, CODEC_AVDD, USB_AVD18, CSI_VCCA18, DSI_VCCA18, DDRPLL_VCCA
- VDDIO33: VDDIO33, VDDIO3318_DVP, USB_AVD33

Table3- 18 Power-On Timing Parameters

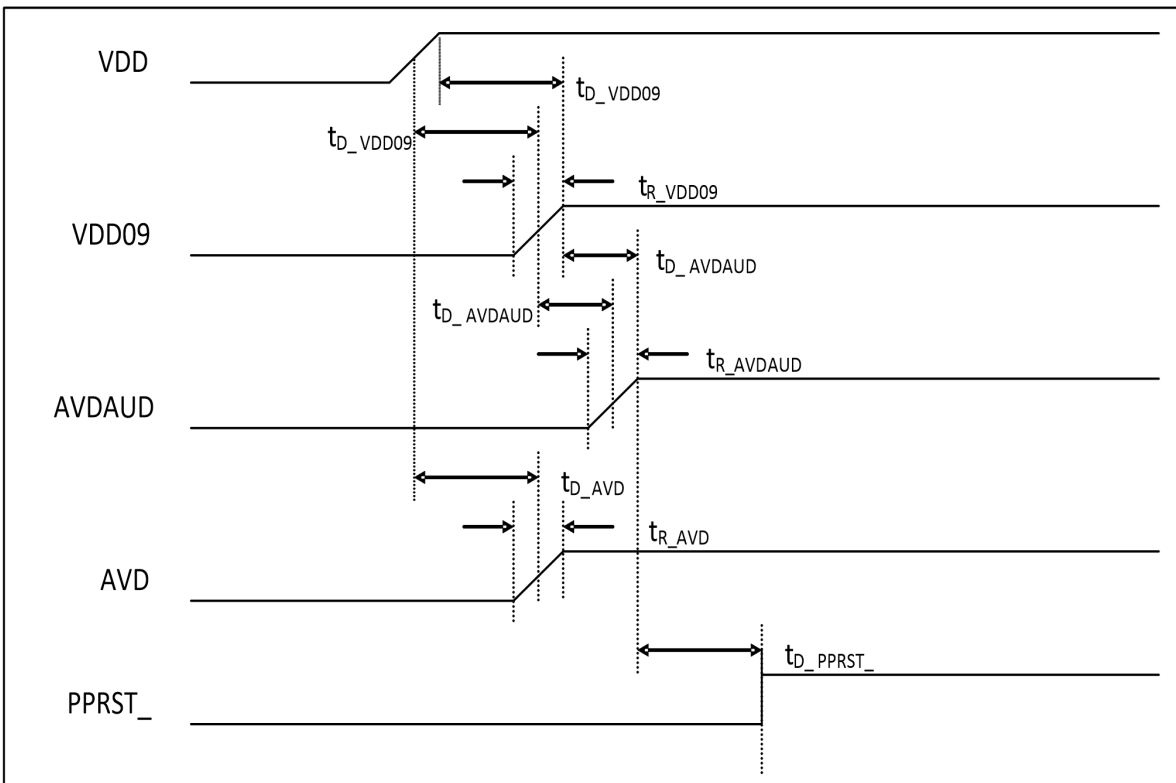
Symbol	Parameter	Min	Max	Unit
t _{R_VDDIO18}	VDDIO18 rise time ^[1]	0	-	ms
t _{D_VMEM}	Delay between VDDIO18 arriving 50% to VMEM arriving 50%	0	-	ms
t _{D_VDDIO33}	Delay between VMEM arriving 50% to VDDIO33 arriving 50%	0	-	ms
t _{D_VDD09}	Delay between VDDIO33 arriving 50% to VDD09 arriving 50%	0	-	ms
t _{D_PPRST_}	Delay between VDDIO18 stable and PPRST_ de-asserted	TBD ^[2]	-	ms ^[2]

NOTES:

- [1]: The power rise time is defined as 10% to 90%.
- [2]: The PPRST_ must be kept at least 100us. After PPRST_ is de-asserted, the corresponding chip reset will be extended at least 40ms.



PPRST_ reset mode



POR reset mode

Figure3- 2 Power-On Timing Diagram

3.8.2 Reset procedure

There are 3 reset sources: 1. PPRST_ pin reset; 2. POR hardware reset and 3.WDT timeout reset . After reset, program start from boot.

- PPRST_ pin reset.
This reset is triggered when PPRST_ pin is put to logic 0. It happens in power on RTC power and RESET-KEY pressed to reset the chip from unknown dead state. The reset end time is about 1M EXCLK cycles after rising edge of PPRST_.
- POR(Power-On-Reset) hardware reset.
The chip POR circuit provides reliable reset function for general applications. Powered by 1.8V analog supply and monitors 0.95V digital and 1.8V analog supply. It generates reset signal to digital logic. Set low if analog supply or digital supply is below the threshold voltage(typical 1.35V threshold for 1.8V supply and 0.6V threshold for 0.95V supply), and will be set high if both of analog supply and digital supply exceed the threshold voltage.
- WDT reset.
This reset happens in case of WDT timeout. The reset keeps for about a few RTCLK cycles.

After reset, all GPIO shared pins are put to GPIO input function(excluded JTAG pins) and most of their internal pull-up/down resistor are set to on, see “2.5Pin Description” for details. The oscillators are on.

3.8.3 BOOT

The boot sequence of the T40A is controlled by boot_sel[1:0]. The configuration is shown as follow:

Table3- 19 Boot Configuration of T40A

boot_sel[1:0]	Boot method
00	MMC/SD boot @ MSC0 (MMC/SD use GPIO Port B. MSC1 use GPIO Port C)
01	SFC boot @ CS4 (SPI boot)
10	NOR boot @ CS2(just for FPGA testing)
11	USB boot @USB2.0 device, EXTCLK=24MHz

Note:

1. When SFC boot start failure, the program in bootrom will go into MSC0 boot, If it is boot from MMC/SD card at MSC0, its function pins MSC0_D0, MSC0_CLK, MSC0_CMD are initialized, the boot program loads the maximum 100KB code from MMC/SD card to cache and jump to it. Only one data bus which is MSC1_D0 is used.
2. When MSC0 boot start failure, the program in bootrom will go into MSC1 boot, If it is boot from MMC/SD card at MSC1, its function pins MSC1_D0, MSC1_CLK, MSC1_CMD are initialized, the boot program loads the maximum 100KB code from MMC/SD card to cache and jump to it. Only one data bus which is MSC1_D0 is used. If MSC1 boot start failure, jump to USB boot.

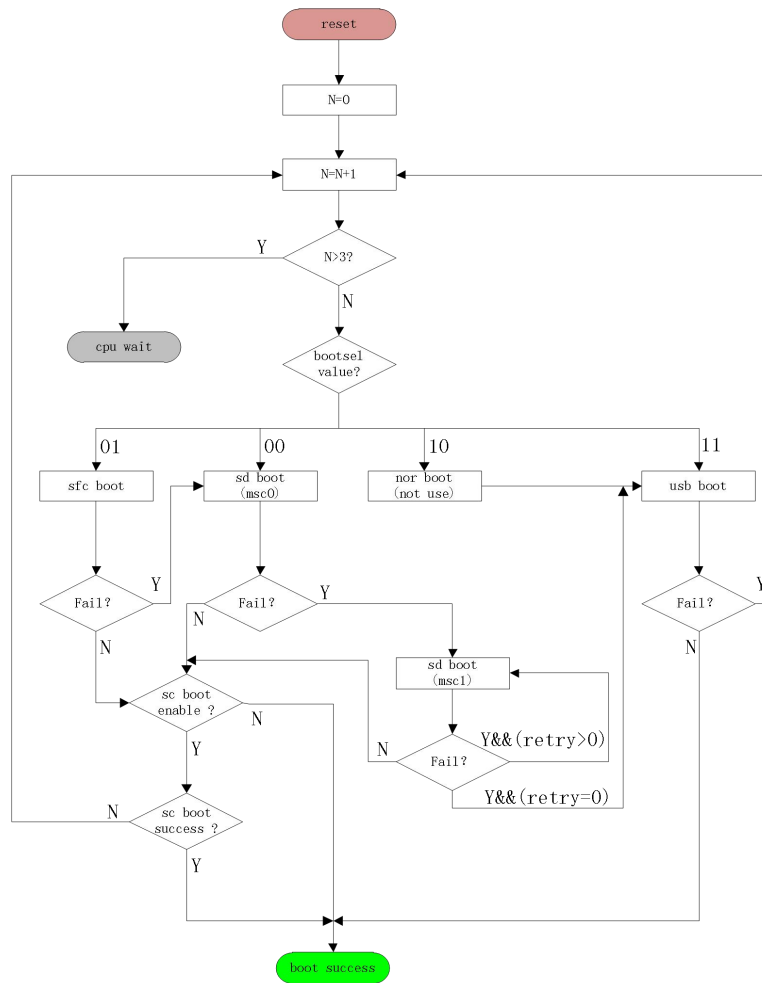


Figure3- 3 Boot sequence diagram of T40A

As shown in boot sequence Block Diagram, After reset, the boot program on the internal boot ROM executes as follows:

- 1 Disable all interrupts and read boot_sel[0] and boot_sel[1] to determine the boot method.
- 2 There 26KB backup reading failed, the 26KB backup at 128th, 256 th , ..., and finally 1024th page will be tried in consecutive order.
- 3 If it is boot from MMC/SD card at MSC0, its function pins MSC0_D0, MSC0_CLK, MSC0_CMD are initialized, the boot program loads the maximum 100KB code from MMC/SD card to cache and jump to it. Only one data bus which is MSC0_D0 is used.
- 4 If it is boot from USB, a block of code will be received through USB cable connected with host PC and be stored in cache. Then branch to this area in cache.
- 5 If it is boot from SPI nor/nand at SFC, its function pins SFC_CLK,SFC_CE, SFC_DR,SFC_DT, SFC_WP,SFC_HOLD are initialized,the boot program loads the maximum 100KB code from SPI NAND/NOR flash to cache and jump to it.