

| Part Number      | Length (Meters) |
|------------------|-----------------|
| CA0912C800801012 | 1 (3.28 FEET)   |
| CA0912C800802012 | 2 (6.56 FEET)   |
| CA0912C800803012 | 3 (9.84 FEET)   |
| CA0912C800805012 | 5 (16.40 FEET)  |
| CA0912C800807012 | 7 (22.96 FEET)  |
| CA0912C800810012 | 10 (32.80 FEET) |
| CA0912C800813012 | 13 (42.65 FEET) |
| CA0912C800815012 | 15 (49.21 FEET) |

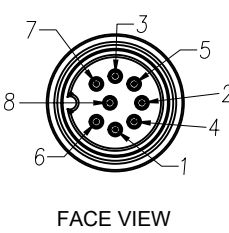
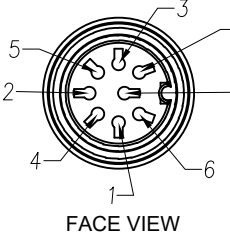
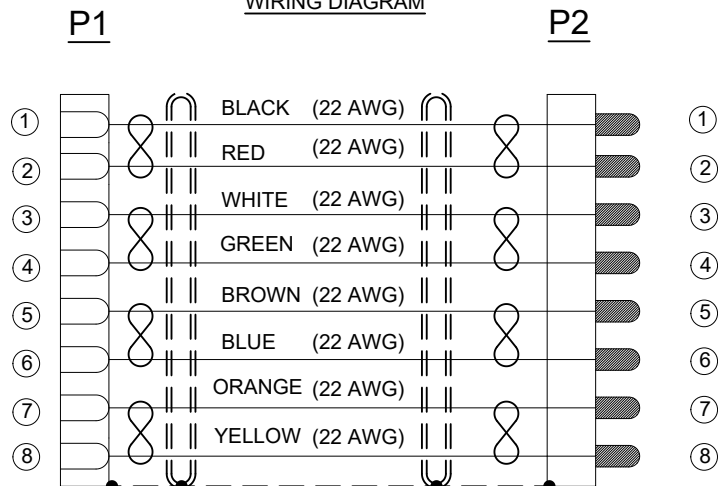
| REVISIONS |      |     |                              |            |    |     |      |
|-----------|------|-----|------------------------------|------------|----|-----|------|
| REV       | ZONE | ECO | DESCRIPTION                  | DATE       | BY | CHK | APPR |
| A1        | -    | -   | TECHNICAL DATA SHEET RELEASE | 20-JULY-17 | RO | -   | -    |

FEMALE CONNECTOR PLUG

MALE CONNECTOR PLUG



WIRING DIAGRAM



CAN BE USED WITH MATING MALE RECEPTACLE # CA0911G118005

CAN BE USED WITH MATING FEMALE RECEPTACLE # CA0911F118005

CONTACT YOUR DISTRIBUTOR FOR OTHER MATING OPTIONS

CONTACT YOUR DISTRIBUTOR FOR OTHER MATING OPTIONS

TECHNICAL DATA:

- 1) MATERIALS:
  - COUPLING NUT: ZINC DIE CAST
  - INSULATION INSERT: THERMOPLASTIC
  - CONTACT: SILVER PLATED
  - OVERMOLD MATERIAL: THERMOPLASTIC COLOR: BLACK
  - CABLE RATING: UL LISTED, UL RECOGNIZED AWM STYLE AND CSA CERTIFIED, AWM 2517 105°C 300V
  - CABLE JACKET MATERIAL: PVC COLOR: BLACK
  - BENDING RADIUS: 0.260"
  - CONDUCTOR INSULATION: SR-PVC
  - NUMBER OF CONDUCTORS: (8) 22AWG

- 2) CONNECTOR ELECTRICAL DATA:
  - CURRENT (MAX): 7A AT 40°C
  - VOLTAGE (MAX): 250V AC/DC PER UL 1977
  - INSULATION RESISTANCE: 100M OHMS PER IEC 60512-3-1
  - RATED IMPULSE WITHSTAND VOLTAGE: 1200V PER IEC 60664-1

- 3) CONNECTOR MECHANICAL DATA:
  - TEMPERATURE RANGE: -25°C TO +100°C
  - PROTECTION: IP67/IP68 (PER MATED CONDITION)
  - MATING CYCLES: >500

4) RoHS COMPLIANT

| TOLERANCE                  |                             |
|----------------------------|-----------------------------|
| 0-2.99 M = +100.0/-25.0mm  | 0-9.99 FT = +4" / -1"       |
| 3-8.99 M = +150.0/-25.0mm  | 10.00-29.99 FT = +6" / -1"  |
| 9-14.99 M = +300.0/-25.0mm | 30.00-49.99 FT = +12" / -1" |
| 15-OVER M = +450.0/-25.0mm | 50 FT-OVER = +18" / -1"     |

| QUANTITY  | PART NUMBER | DESCRIPTION  | ITEM |
|---|-------------|--|------|
|   |             |  |      |
| <p>UNLESS OTHERWISE SPECIFIED:<br/>           1) All dimensions are in metric(mm)<br/>           2) Tolerances are as follows:<br/>           1 PL DEC ±0.30 Fractions ±1/64<br/>           2 PL DEC ±0.15 Angles ±1°<br/>           3 PL DEC ±0.08<br/>           3) Note reference = <math>\Delta</math></p>      |             |  |      |
| <p>DRAWN: RO 6-JUNE-17<br/>           CHECKED: AA 8-JUNE-17<br/>           ENGINEER: RO<br/>           APPROVAL: WS 13-JUNE-17</p>  |             | <p><b>Amphenol</b><br/>           Sine Systems - www.amphenol-sine.com<br/>           44724 Morley Drive<br/>           Clinton Township, MI 48036</p> |      |
| <p>MATERIAL SPECIFICATIONS:<br/>           THIS DRAWING IS SUPPLIED FOR INFORMATION ONLY. DESIGN FEATURES, SPECIFICATIONS AND PERFORMANCE DATA SHOWN HEREON ARE THE PROPERTY OF THE AMPHENOL CORPORATION. NO RIGHTS OF REPRODUCTION ARE IMPLIED. ALL DIMENSIONS ARE SUBJECT TO NORMAL MANUFACTURING VARIATIONS.</p> |             | <p>CUSTOMER:<br/>           C091 (M16) 8 POS CIRCULAR MOLDED, STD. STRAIN RELIEF, M-F, 22AWG, 4 PAIR, FOIL SHIELD</p>                                  |      |
| <p>PROCESS SPECIFICATIONS:<br/>           IPC-WHMA-A-620</p>  |             | <p>SCALE: HALF<br/>           SIZE: C-<br/>           DWG NO: CA0912C8008XX012<br/>           REVISION: A1</p>   |      |
| <p>NEXT ASSY:</p>   |             | <p>CA0912C8008XX012 SHEET 1 OF 1</p>   |      |

