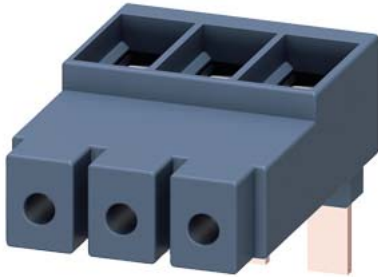


3-phase supply terminal Size S2 for 3-phase busbar connection from top



| General technical data | | |
|---|---------------------------|---|
| product brand name | | SIRIUS |
| product designation | | Three-phase feeder terminal |
| design of the product | | from above, size S2 |
| size of the circuit-breaker | | S2 |
| protection class IP on the front acc. to IEC 60529 | | IP20 |
| touch protection on the front acc. to IEC 60529 | | finger-safe, for vertical contact from the front |
| insulation voltage with degree of pollution 3 at AC rated value | V | 690 |
| ambient temperature | | |
| • during storage | °C | -50 ... +80 |
| • during operation | °C | -20 ... +60 |
| ampacity maximum | A | 105 |
| Installation/ mounting/ dimensions | | |
| width | mm | 54.5 |
| height | mm | 50.8 |
| depth | mm | 76.5 |
| Connections/ Terminals | | |
| type of electrical connection for main current circuit | | screw-type terminals |
| type of connectable conductor cross-sections | | |
| • for main contacts | | |
| — solid | | 2x (2.5 ... 50 mm ²), 1x (2.5 ... 70 mm ²) |
| — stranded | | 2x (2.5 ... 50 mm ²), 1x (2.5 ... 70 mm ²) |
| — finely stranded | | |
| — with core end processing | | 2x (2.5 ... 35 mm ²), 1x (2.5 ... 50 mm ²). |
| • at AWG cables for main contacts | | 2x (10 ... 1/0), 1x (10 ... 2/0) |
| Certificates/ approvals | | |
| certificate of suitability | | CE / UL / CSA / CCC |
| General Product Approval | Declaration of Conformity | Test Certificates |



[Miscellaneous](#)

[Type Test Certificates/Test Report](#)

Test Certificates

Shipping Approval

[Special Test Certificate](#)

[Type Test Certificates/Test Report](#)

[Type Test Certificates/Test Report](#)



Shipping Approval

other

Railway



[Confirmation](#)



[Vibration and Shock](#)

Further information

Information- and Downloadcenter (Catalogs, Brochures,...)

<https://www.siemens.com/ic10>

Industry Mall (Online ordering system)

<https://mall.industry.siemens.com/mall/en/en/Catalog/product?mlfb=3RV2935-5A>

Cax online generator

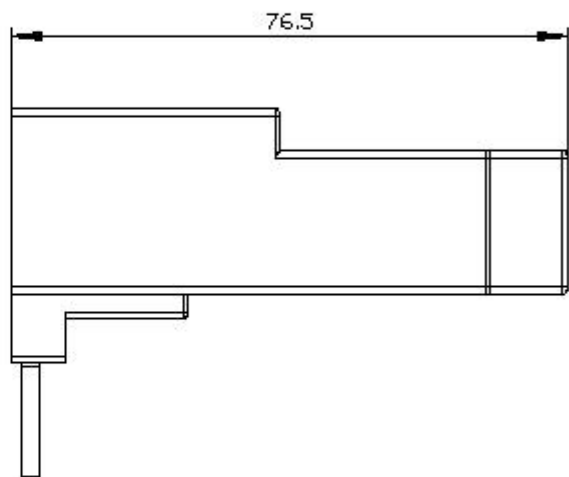
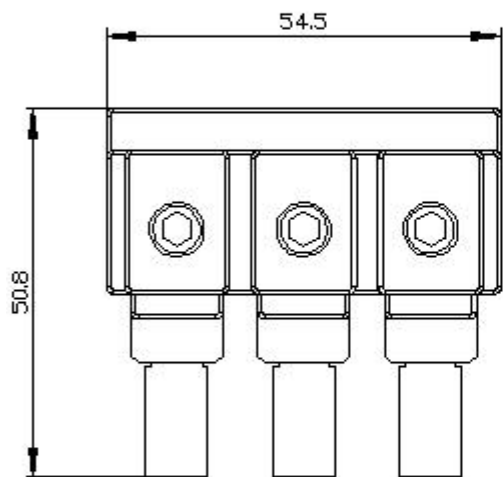
<http://support.automation.siemens.com/WW/CAXorder/default.aspx?lang=en&mlfb=3RV2935-5A>

Service&Support (Manuals, Certificates, Characteristics, FAQs,...)

<https://support.industry.siemens.com/cs/ww/en/ps/3RV2935-5A>

Image database (product images, 2D dimension drawings, 3D models, device circuit diagrams, EPLAN macros, ...)

http://www.automation.siemens.com/bilddb/cax_de.aspx?mlfb=3RV2935-5A&lang=en



last modified:

12/15/2020 