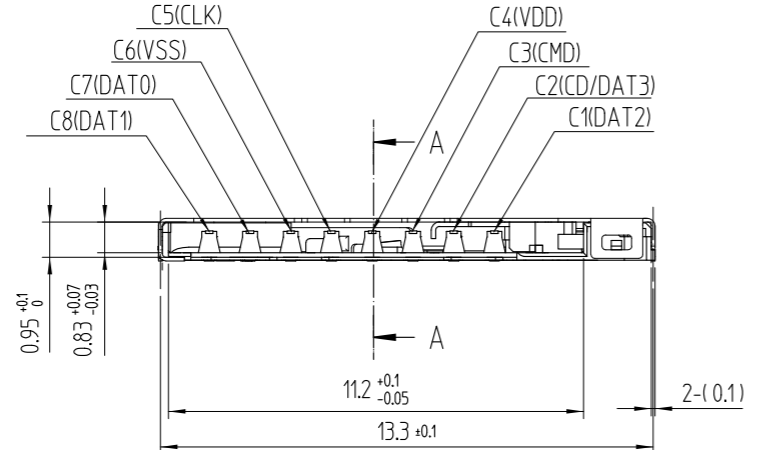
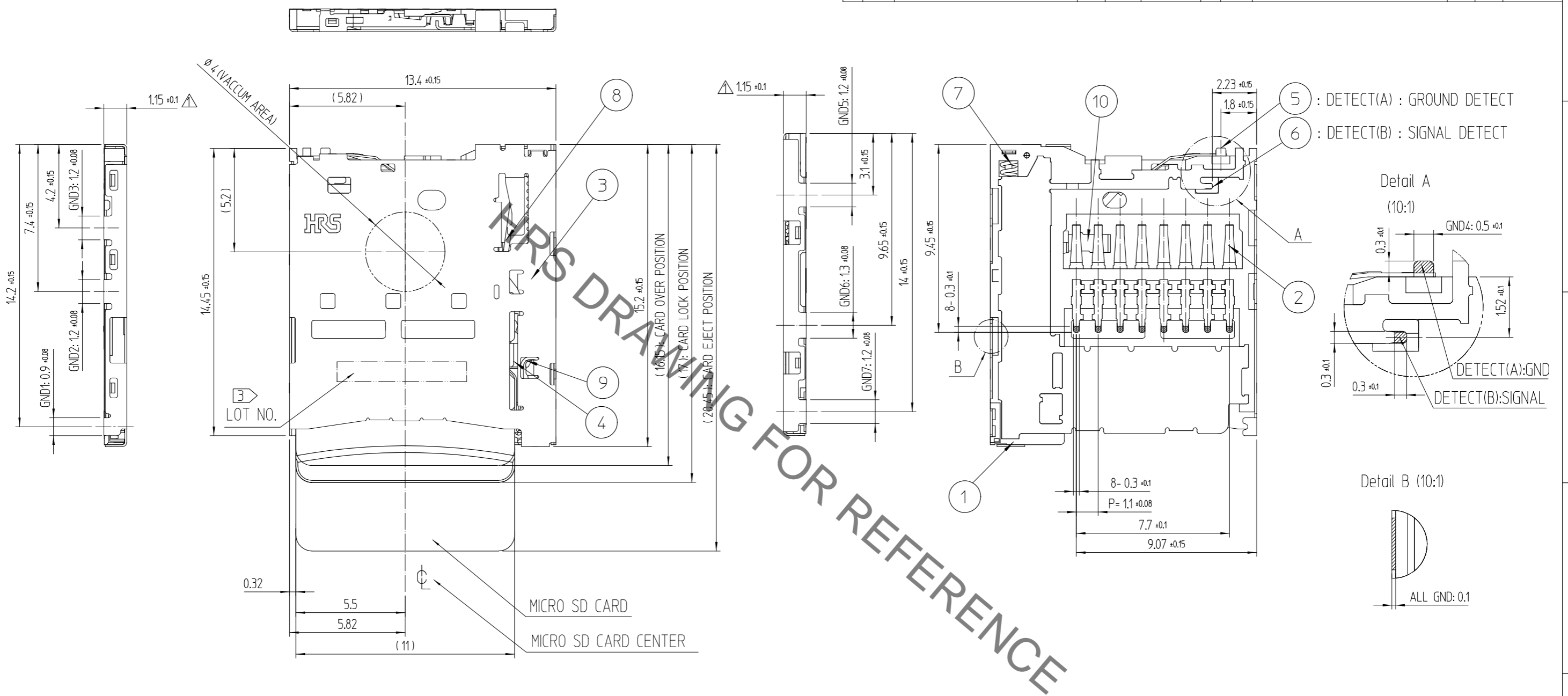


May.1.2023 Copyright 2023 HIROSE ELECTRIC CO., LTD. All Rights Reserved.
In case of consideration for using Automotive equipment / device which demand high reliability, kindly contact our sales window correspondents.

REFERENCE DRAWING

△數 COUNT	訂正事項 DESCRIPTION OF REVISIONS	擔當 B Y	檢圖 CHKD	年月日 DATE	△數 COUNT	訂正事項 DESCRIPTION OF REVISIONS	擔當 B Y	檢圖 CHKD	年月日 DATE
5	RE-5-2373	P.J.H	A.B.H	20. 04. 24					



寸分区分 OVER	公差 TOLERANCE
0 6	± 0.05
6 15	± 0.08
15 30	± 0.1
30 60	± 0.15

角度 ANGULAR ± 1°

NO.	PART	MATERIAL	FINISH,REMARKS	NO.	PART	MATERIAL	FINISH,REMARKS
4	EJECTOR MOLD	LCP	BLACL UL94-V0	10	EJECTOR PLATE	STAINLESS STEEL	
3.5	COVER	STAINLESS STEEL	MOUNTING : NIP + AuP	9	LOCK PIN	STAINLESS STEEL	
2	SH-CONTACT	COPPER ALLOY	CONTACT NIP + Pd-NIP + AuP MOUNTING: NIP + AuP	8	PIN	STAINLESS STEEL	
1	Ins.Base	LCP	BLACL UL94-V0	7	SPRING	STAINLESS STEEL	
6	DETECT	COPPER ALLOY	MOUNTING : NIP + AuP	5	DETECT(A) : GROUND DETECT		
				6	DETECT(B) : SIGNAL DETECT		

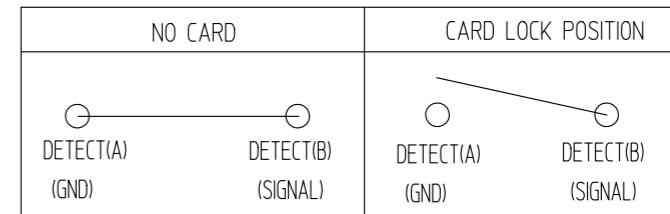
CODE NO. (OLD)	TITLE	DRAWN	DESIGNED	CHECKED	APPROVED	RELEASED
	PUSH-PUSH MICRO SD CARD SOCKET	W.H.LEE 16.05.09	W.H.LEE 16.05.09	B.H.AN 16.05.09	H.C.SONG 16.05.10	ENG 20.04.24 DEPT

DRAWING NO.	PART NO.
EDC3-631423	DM3NW-SF-PEJ(800)

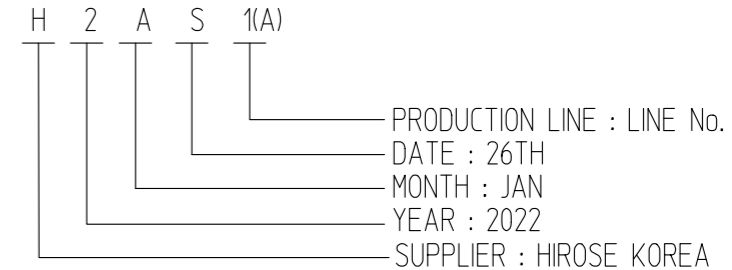
SCALE	UNITS	CODE NO.
5:1	mm	CL 6533-0019-0-800

May.1.2023 Copyright 2023 HIROSE ELECTRIC CO., LTD. All Rights Reserved.
In case of consideration for using Automotive equipment / device which demand high reliability, kindly contact our sales window correspondents.

1. CARD DETECTION SWITCH



- ② CO-PLANRITY SHALL BE 0.1mm MAX
- ③ MANUFACTURING DATE SYSTEM



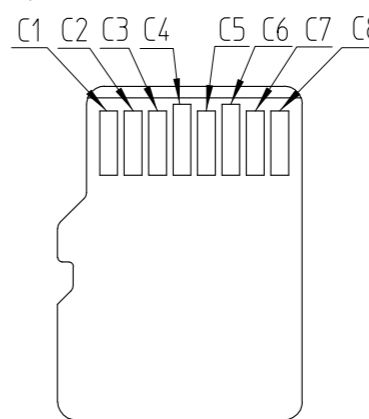
③ Table . 1

YEAR	MONTH	DATE							
YEAR	SYMBOL	MONTH	SYMBOL	DATE	SYMBOL	DATE	SYMBOL	DATE	SYMBOL
2021	1	Jan.	A	1	1	11	B	21	M
2022	2	Feb.	B	2	2	12	C	22	N
2023	3	Mar.	C	3	3	13	D	23	P
2024	4	Apr.	D	4	4	14	E	24	Q
2025	5	May.	E	5	5	15	F	25	R
2026	6	Jun.	F	6	6	16	G	26	S
2027	7	Jul.	G	7	7	17	H	27	T
2028	8	Aug.	H	8	8	18	J	28	U
2029	9	Sep.	I	9	9	19	K	29	V
2030	0	Oct.	J	10	A	20	L	30	W
		Nov.	K					31	X
		Dec.	L						

Marking: Manual assembly : lnk mark, Auto assembly: laser mark

④ NO PATTERNS PERMITTED IN THIS OBLIQUE - HATCHED AREA

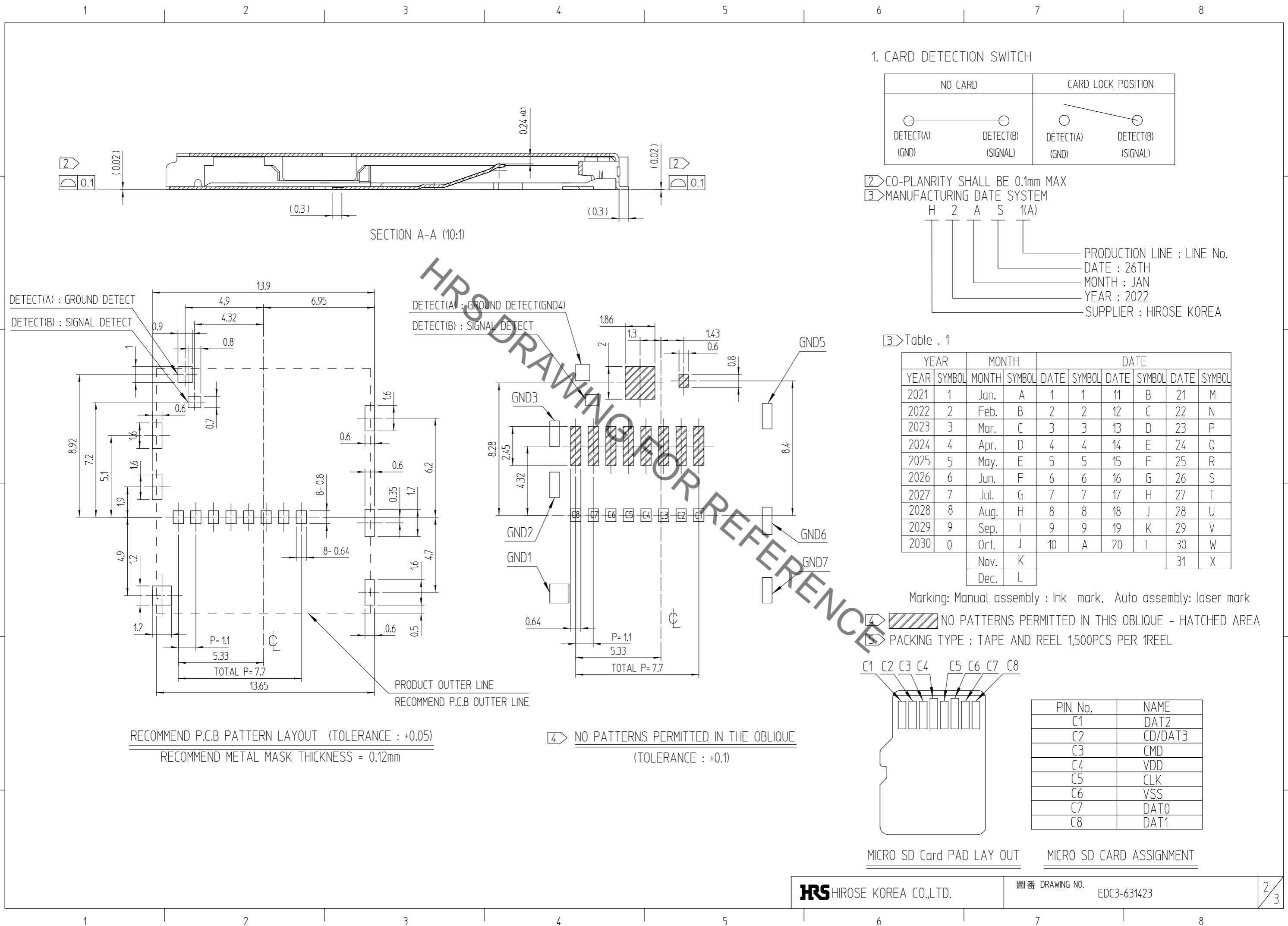
⑤ PACKING TYPE : TAPE AND REEL 1,500PCS PER 1REEL



PIN No.	NAME
C1	DAT2
C2	CD/DAT3
C3	CMD
C4	VDD
C5	CLK
C6	VSS
C7	DAT0
C8	DAT1

MICRO SD Card PAD LAY OUT

MICRO SD CARD ASSIGNMENT



SECTION A-A (10:1)

DETECT(A) : GROUND DETECT
DETECT(B) : SIGNAL DETECT

DETECT(A) : GROUND DETECT(GND4)
DETECT(B) : SIGNAL DETECT

RECOMMEND P.C.B PATTERN LAYOUT (TOLERANCE : ±0.05)
RECOMMEND METAL MASK THICKNESS = 0.12mm

④ NO PATTERNS PERMITTED IN THE OBLIQUE
(TOLERANCE : ±0.1)

HIROSE DRAWING FOR REFERENCE

May.1.2023 Copyright 2023 HIROSE ELECTRIC CO., LTD. All Rights Reserved.
In case of consideration for using Automotive equipment / device which demand high reliability, kindly contact our sales window correspondents.

