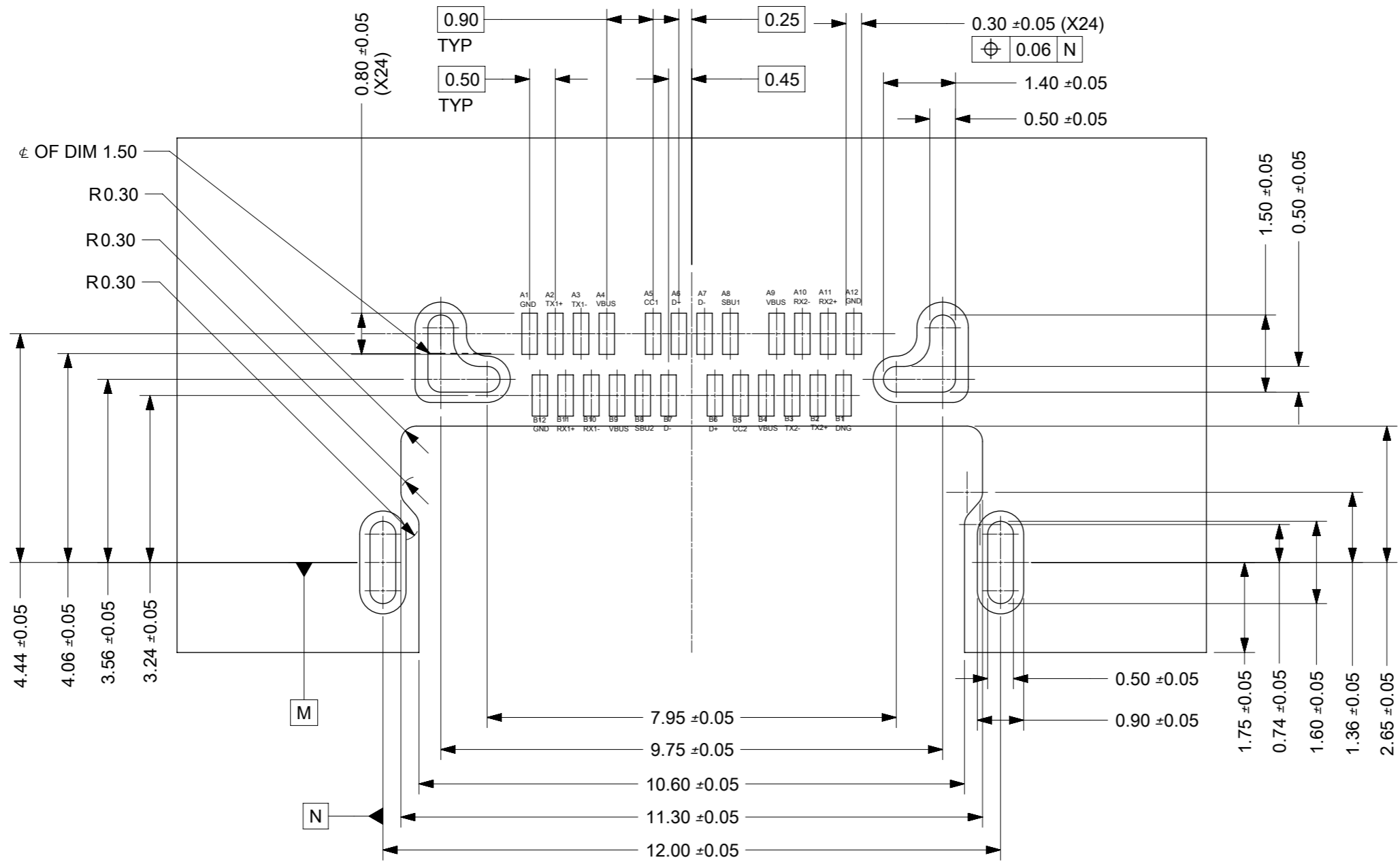


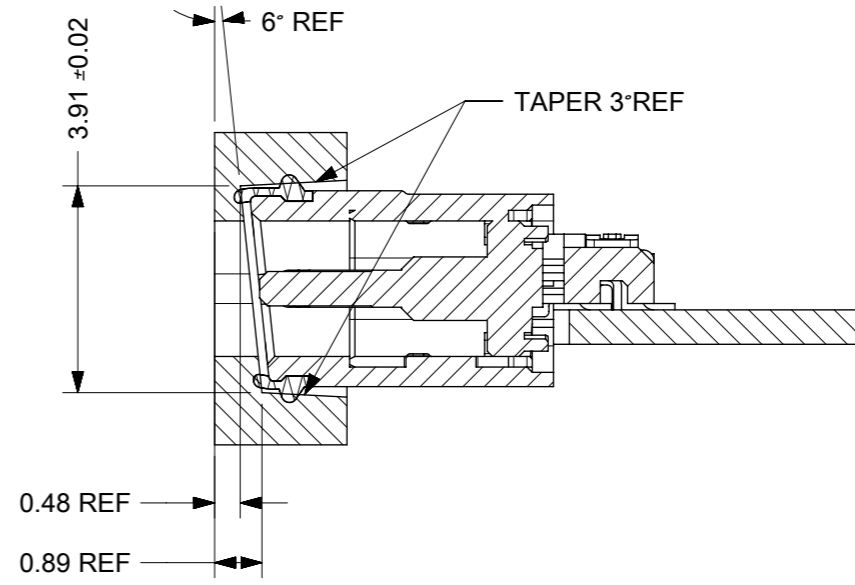
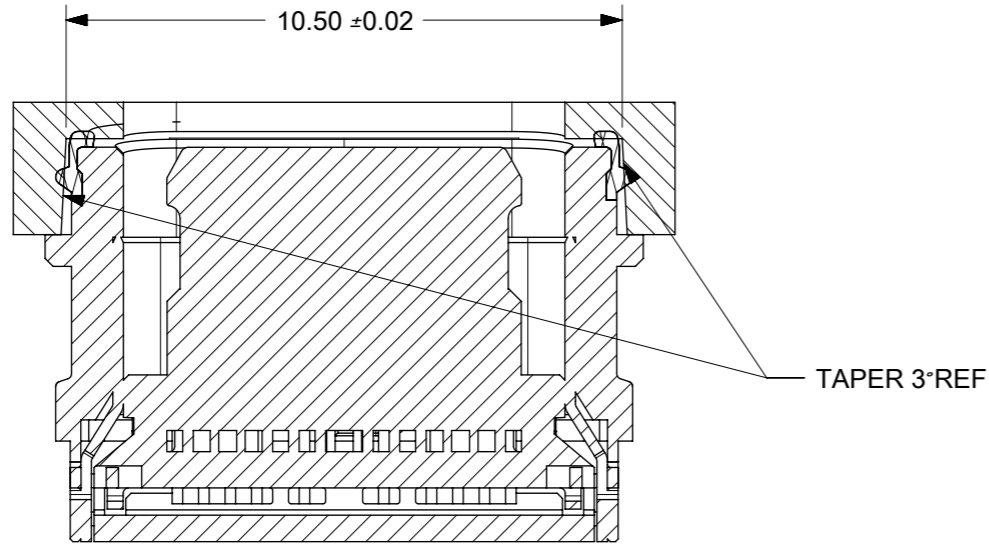
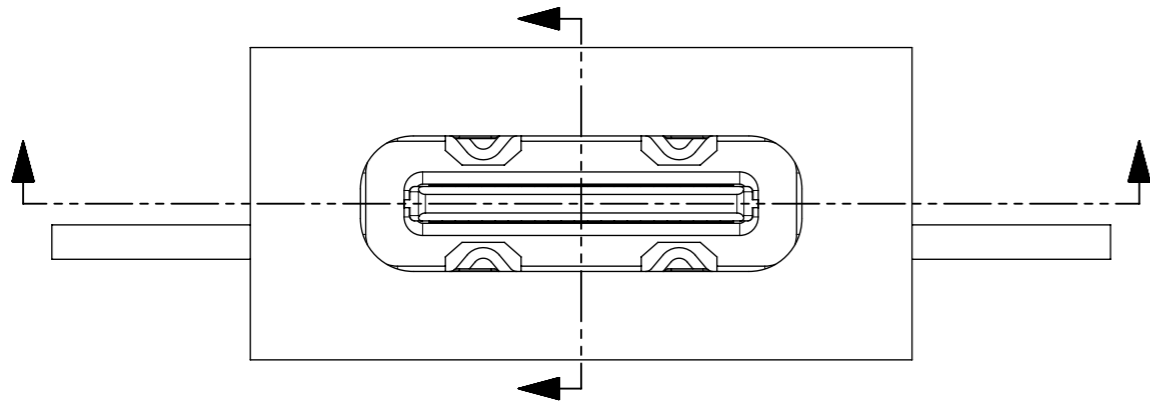
SYMBOLS	THIS DRAWING CONTAINS INFORMATION THAT IS PROPRIETARY TO MOLEX ELECTRONIC TECHNOLOGIES, LLC AND SHOULD NOT BE USED WITHOUT WRITTEN PERMISSION		CURRENT REV DESC:		molex		
	DIMENSION UNITS	SCALE					
▽ = 0	mm	10:1	EC NO: 606478		24PIN TYPE C RECEPTACLE		
▽ = 0	GENERAL TOLERANCES (UNLESS SPECIFIED)		DRWN: RLI09 2018/10/24		PRODUCT CUSTOMER DRAWING		
▽ = 0	ANGULAR TOL ± 3.0°		CHK'D: RZHANG 2018/10/24		DOCUMENT NUMBER		
▽ = 0	4 PLACES ±		APPR: RZHANG 2018/10/24		2024100001		
▽ = 0	3 PLACES ±		INITIAL REVISION:		DOC TYPE DOC PART REVISION		
▽ = 0	2 PLACES ± 0.2		DRWN: RLI09 2016/08/17		PSD 000 F1		
▽ = 0	1 PLACE ± 0.2		APPR: RZHANG 2016/09/14		MATERIAL NUMBER		
▽ = 0	0 PLACES ±		THIRD ANGLE PROJECTION		CUSTOMER		
□ = 0	DRAFT WHERE APPLICABLE MUST REMAIN WITHIN DIMENSIONS		DRAWING		SHEET NUMBER		
▽ = 0			A3-SIZE		1 OF 5		
			SERIES		202410		
			MATERIAL NUMBER		2024100002		



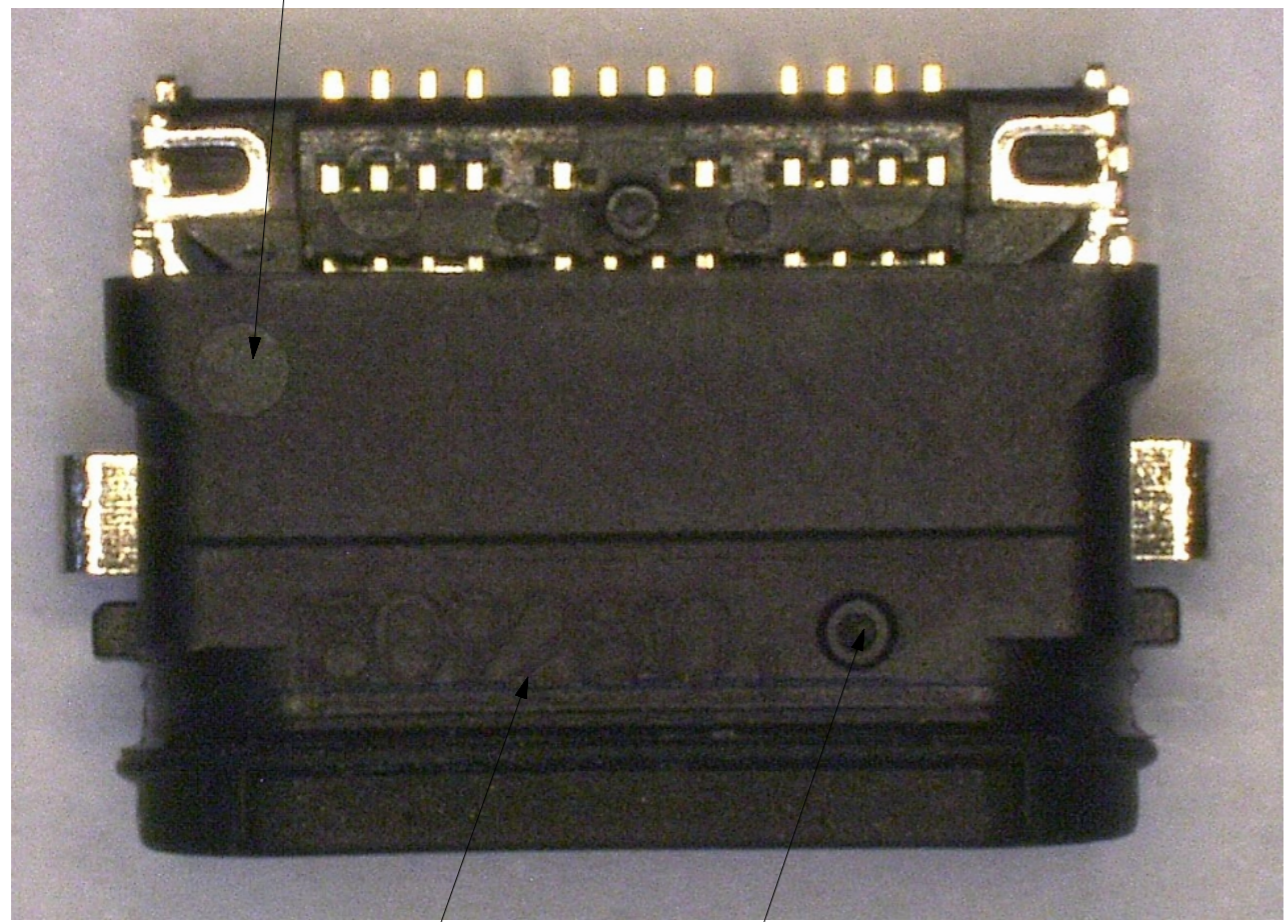
RECOMMENDED PCB LAYOUT

SYMBOLS = 0 = 0 = 0 = 0 = 0 = 0 = 0 = 0 = 0 = 0	THIS DRAWING CONTAINS INFORMATION THAT IS PROPRIETARY TO MOLEX ELECTRONIC TECHNOLOGIES, LLC AND SHOULD NOT BE USED WITHOUT WRITTEN PERMISSION		CURRENT REV DESC: EC NO: 606478 DRWN: RLI09 2018/10/24 CHK'D: RZHANG 2018/10/24 APPR: RZHANG 2018/10/24			 24PIN TYPE C RECEPTACLE		
	DIMENSION UNITS: mm SCALE: 10:1	GENERAL TOLERANCES (UNLESS SPECIFIED) ANGULAR TOL ± 3.0°						
	4 PLACES ± 3 PLACES ± 2 PLACES ± 0.2 1 PLACE ± 0.2 0 PLACES ±	INITIAL REVISION: DRWN: RLI09 2016/08/17 APPR: RZHANG 2016/09/14		DOCUMENT NUMBER: 2024100001	DOC TYPE: PSD	DOC PART: 000	REVISION: F1	
	DRAFT WHERE APPLICABLE MUST REMAIN WITHIN DIMENSIONS	THIRD ANGLE PROJECTION	DRAWING: A3-SIZE	SERIES: 202410	MATERIAL NUMBER: 2024100002	CUSTOMER:	SHEET NUMBER: 3 OF 5	

CONNECTOR VS MIAN CASE RELATIVE POSITION



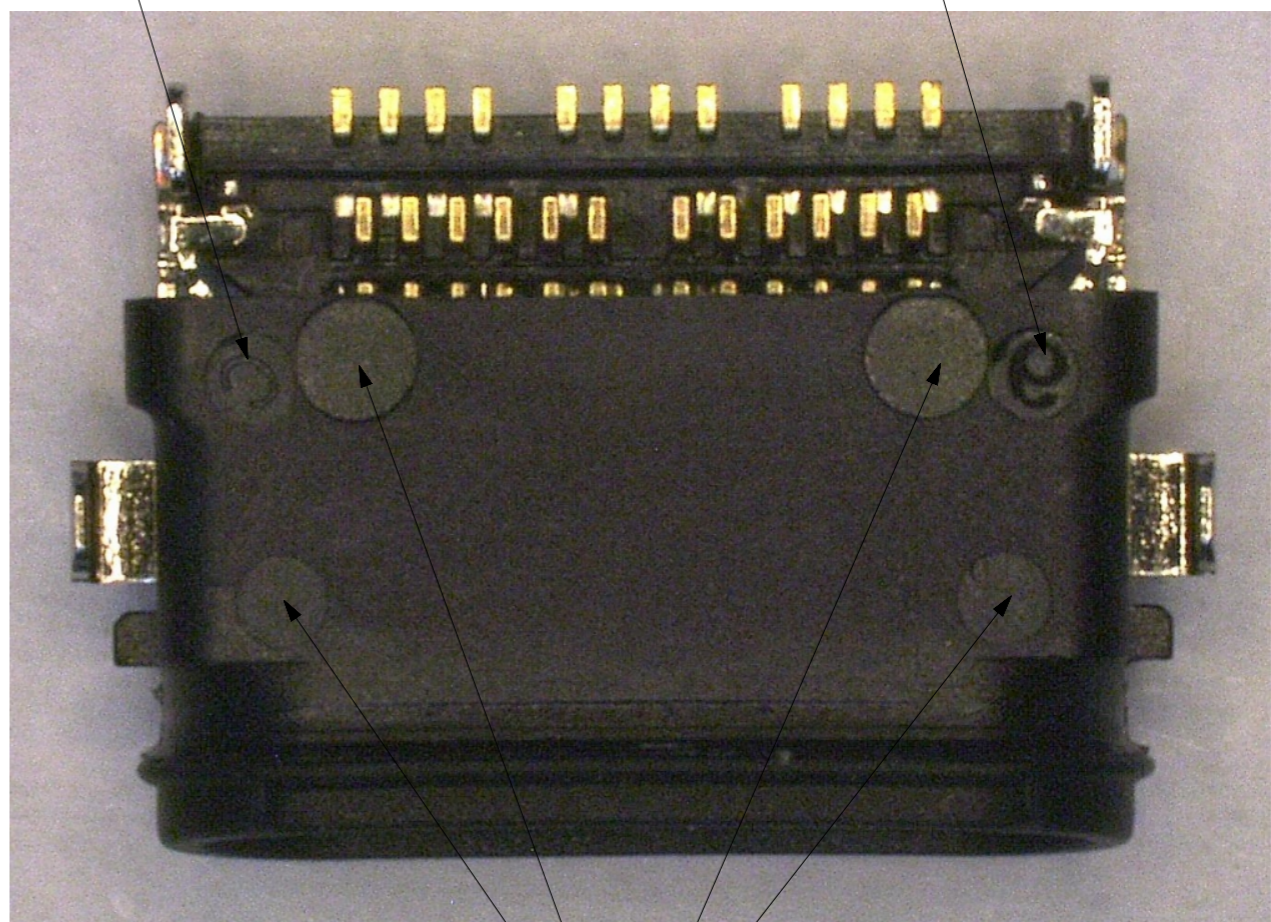
THIS DRAWING CONTAINS INFORMATION THAT IS PROPRIETARY TO MOLEX ELECTRONIC TECHNOLOGIES, LLC AND SHOULD NOT BE USED WITHOUT WRITTEN PERMISSION									
SYMBOLS	DIMENSION UNITS	SCALE	CURRENT REV DESC:				molex		
	mm	7:1							
▽ = 0	GENERAL TOLERANCES (UNLESS SPECIFIED)		EC NO: 606478				24PIN TYPE C RECEPTACLE		
▽ = 0	ANGULAR TOL ± 3.0°		DRWN: RLI09 2018/10/24						
▽ = 0	4 PLACES ±		CHK'D: RZHANG 2018/10/24				PRODUCT CUSTOMER DRAWING		
▽ = 0	3 PLACES ±		APPR: RZHANG 2018/10/24						
▽ = 0	2 PLACES ± 0.2		INITIAL REVISION:				DOCUMENT NUMBER		
▽ = 0	1 PLACE ± 0.2		DRWN: RLI09 2016/08/17						
▽ = 0	0 PLACES ±		APPR: RZHANG 2016/09/14				DOC TYPE DOC PART REVISION		
□ = 0	DRAFT WHERE APPLICABLE MUST REMAIN WITHIN DIMENSIONS		THIRD ANGLE PROJECTION		DRAWING	SERIES			
▽ = 0			A3-SIZE		202410	2024100002		4 OF 5	



RESERVED AREA FOR TOOLING NUMBER
NO INFORMATION

DATE CODE

INJECTION GATE



TOOLING NUMBER

CAVITY NUMBER

EJECTOR PIN MARK

SYMBOLS ▽ = 0 ▽ = 0 ▽ = 0 ▽ = 0 ▽ = 0 ▽ = 0 ▽ = 0 ▽ = 0 ▽ = 0 ▽ = 0 ▽ = 0 ▽ = 0	THIS DRAWING CONTAINS INFORMATION THAT IS PROPRIETARY TO MOLEX ELECTRONIC TECHNOLOGIES, LLC AND SHOULD NOT BE USED WITHOUT WRITTEN PERMISSION		DIMENSION UNITS mm		SCALE 1:1	CURRENT REV DESC:					
	GENERAL TOLERANCES (UNLESS SPECIFIED)			EC NO: 606478 DRWN: RLI09 2018/10/24 CHK'D: RZHANG 2018/10/24 APPR: RZHANG 2018/10/24			24PIN TYPE C RECEPTACLE				
	ANGULAR TOL ± 3.0°			INITIAL REVISION:			PRODUCT CUSTOMER DRAWING				
	4 PLACES ± 3 PLACES ± 2 PLACES ± 0.2 1 PLACE ± 0.2 0 PLACES ±			DRWN: RLI09 2016/08/17 APPR: RZHANG 2016/09/14			DOCUMENT NUMBER 2024100001	DOC TYPE PSD	DOC PART 000	REVISION F1	
	DRAFT WHERE APPLICABLE MUST REMAIN WITHIN DIMENSIONS			THIRD ANGLE PROJECTION	DRAWING A3-SIZE	SERIES 202410	MATERIAL NUMBER	CUSTOMER	SHEET NUMBER 5 OF 5		