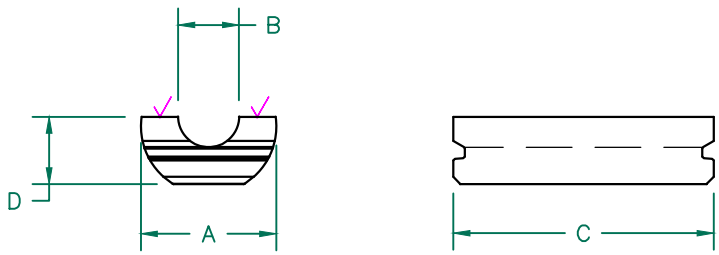


IMPEDANCE (Z)			
Frequency	25 MHz	100 MHz	300 MHz
Nominal (REF)	95 Ω	270 Ω	460 Ω
Minimum	- Ω	216 Ω	- Ω

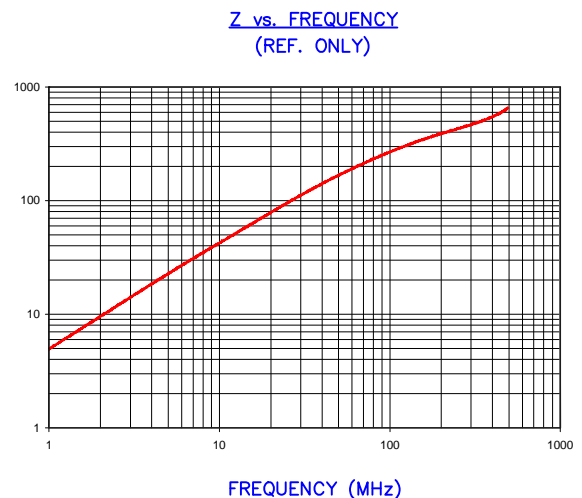


CORE DIMENSIONS:

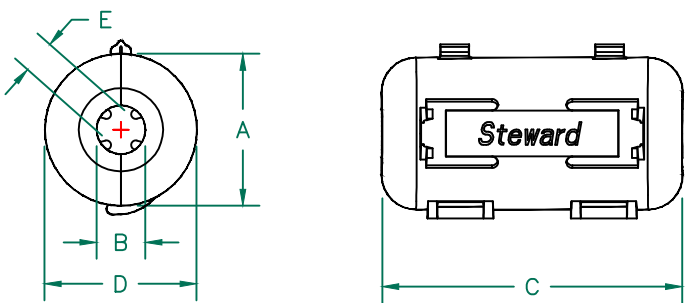
A	14.99 [.590]	+	0.50 [.020]
B	6.76 [.266]	+	0.30 [.012]
C	28.83 [1.135]	+	0.60 [.024]
D	7.49 [.295]	+	0.35 [.014]



(Ω)



AGILENT E4991A Impedance/Material Analyzer
HP 16092A-Test Fixture



CASE DIMENSIONS:

A	21.00 [.827]	+	Ref.
B	6.80 [.268]	+	Ref.
C	41.70 [1.642]	+	Ref.
D	21.00 [.827]	+	Ref.
E	4.85 [.191]	+	Ref.

NOTES:

1. CASE COLOR: WHITE – "0A0"
2. CASE FLAMMABILITY RATING: UL94 V-2.
3. CASE MATERIAL: Halogen Free Nylon OR EQUIVALENT
4. COSMETIC SPECIFICATION REFER TO WI-QA-038.

DIMENSIONS ARE IN mm [INCHES].				This print is the property of Laird Tech. and is loaned in confidence subject to return upon request and with the understanding that no copies shall be made without the written consent of Laird Tech. All rights to design or invention are reserved.			
				PROJECT/PART NUMBER:	REV	PART TYPE:	DRAWN BY:
				28A2026-0A0	B	CASE ASSEMBLY	Jcai
B	UPDATE LOGO	09/06/16	QIU	DATE:	SCALE:	NTS	MATERIAL:
A	ORIGINAL DRAFT	10/15/12	Jcai	10/15/12			FERRITE
REV	DESCRIPTION	DATE	INT	CAD #	TOOL #	-	
				28A2026-0A0-B			