

RoHS COMPLIANT BY EXEMPTION

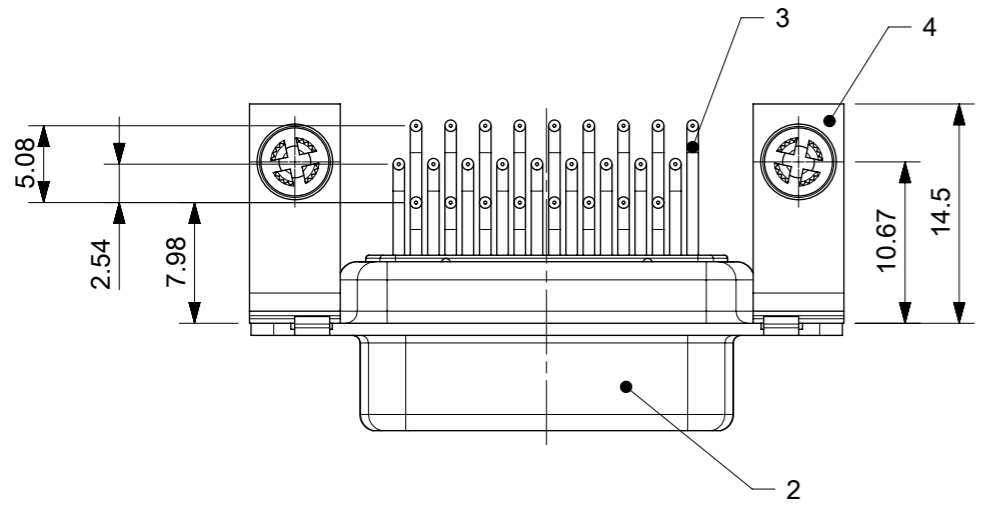


TABLE FOR PART NUMBERS

MOLEX PART#	FCT PART#	X-X	A[mm]	B[mm]	C[mm]	E*[mm]	F*[mm]	NO. OF CONTACTS 1./2./3. ROW	FORMERLY PART NO
1731130157	F15-26S135G0-5979	15-26	39.1	24.7	33.3	Ø1	Ø3	9/9/8	CT15-26S135-5805
1731130158	F25-44S135G0-5979	25-44	53	38.5	47.04			15/15/14	CT25-44S135-5805

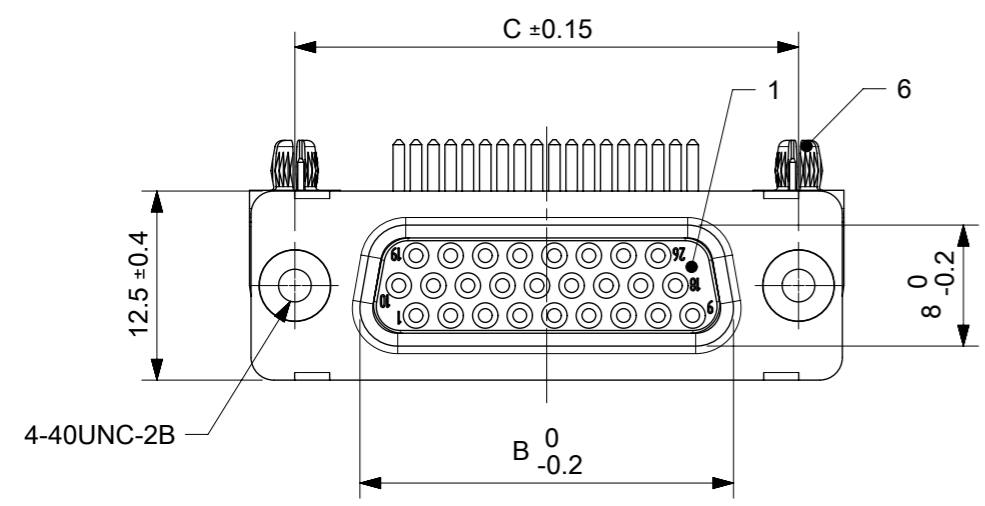
\*PCB HOLE PATTERNS, ØE, ØF, ON SUPPLEMENT 1731131003

TABLE FOR GENERAL TOLERANCES

PERMISSIBLE DEVIATIONS FOR BASIC SIZE RANGE				
0.5 UPTO 3	OVER 3 UPTO 6	OVER 6 UPTO 30	OVER 30 UPTO 120	OVER 120 UPTO 400
±0.1	±0.1	±0.2	±0.3	±0.5

X-X NO. OF CONTACTS 09-15, 15-26, 25-44

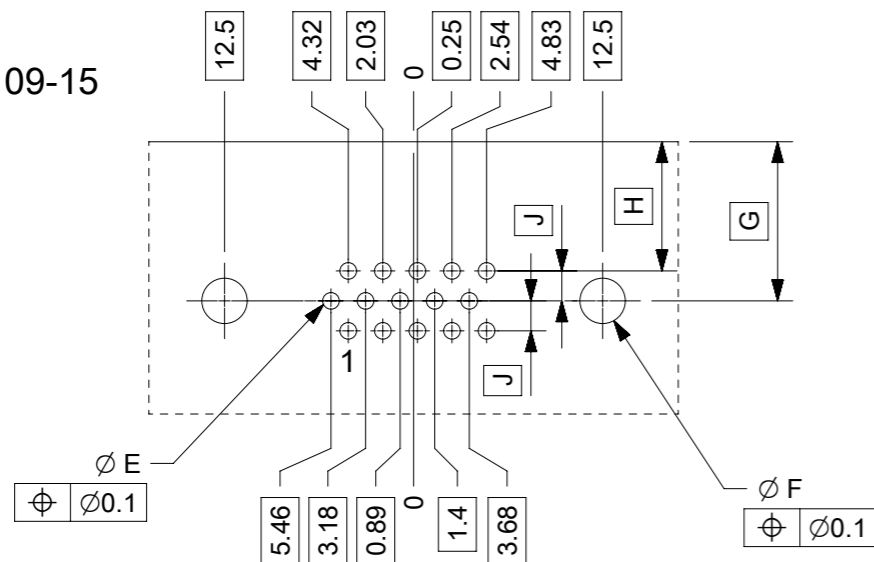
NO.	St.	PART	TYPE DESCRIPTION/MATERIAL	SURFACE PLATING/COLOUR/CLASS
6	2	SNAP-IN RIVET	PCB 1.6mm / BRASS	TIN PLATED
5	2	CLINCH NUT	4-40 / STEEL	TIN PLATED
4	2	BRACKET	F1080-29 / STEEL	TIN PLATED
3	X-X	SIGNAL CONTACT, MACHINED	HS135 / BRASS	0.8µm Au
2	1	SHELL	STEEL	TIN PLATED
1	1	INSULATOR	THERMOPLASTIC, GF	BLACK



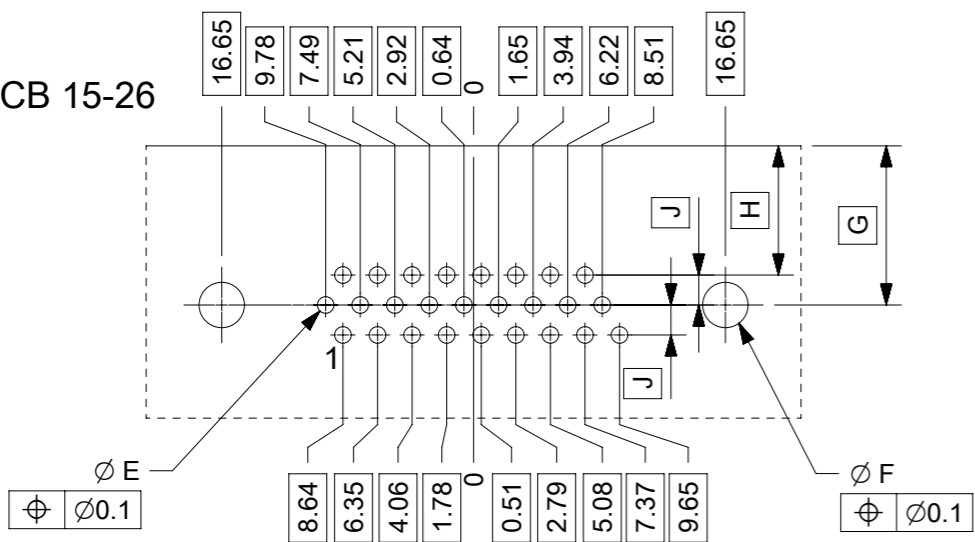
THIS DRAWING CONTAINS INFORMATION THAT IS PROPRIETARY TO MOLEX ELECTRONIC TECHNOLOGIES, LLC AND SHOULD NOT BE USED WITHOUT WRITTEN PERMISSION

DIMENSION UNITS <b>mm</b>	SCALE <b>2:1</b>	CURRENT REV DESC: OBSOLETE PART NUMBER AS PER PCN#509457.	<p>HPD HIGH DENSITY D-SUB, RIGHT ANGLE PCB CONNECTOR, WITH MACHINED FEMALE SOCKET CONTACTS</p>		
GENERAL TOLERANCES (UNLESS SPECIFIED)		EC NO: 680890 DRWN: SANTHN CHK'D: GGA APPR: GGA			
ANGULAR TOL ± °	4 PLACES ±	INITIAL REVISION: DRWN: RLALSANGI APPR: ISHWARG	2017/04/14 2017/06/07	DOCUMENT NUMBER <b>1731130156</b>	DOC TYPE PSD
3 PLACES ±	2 PLACES ±	MATERIAL NUMBER	SERIES <b>173113</b>	CUSTOMER GENERAL MARKET	DOC PART 000
1 PLACE ±	0 PLACES ±	DRAFT WHERE APPLICABLE MUST REMAIN WITHIN DIMENSIONS	THIRD ANGLE PROJECTION	DRAWING <b>A3-SIZE</b>	REVISION <b>A2</b>

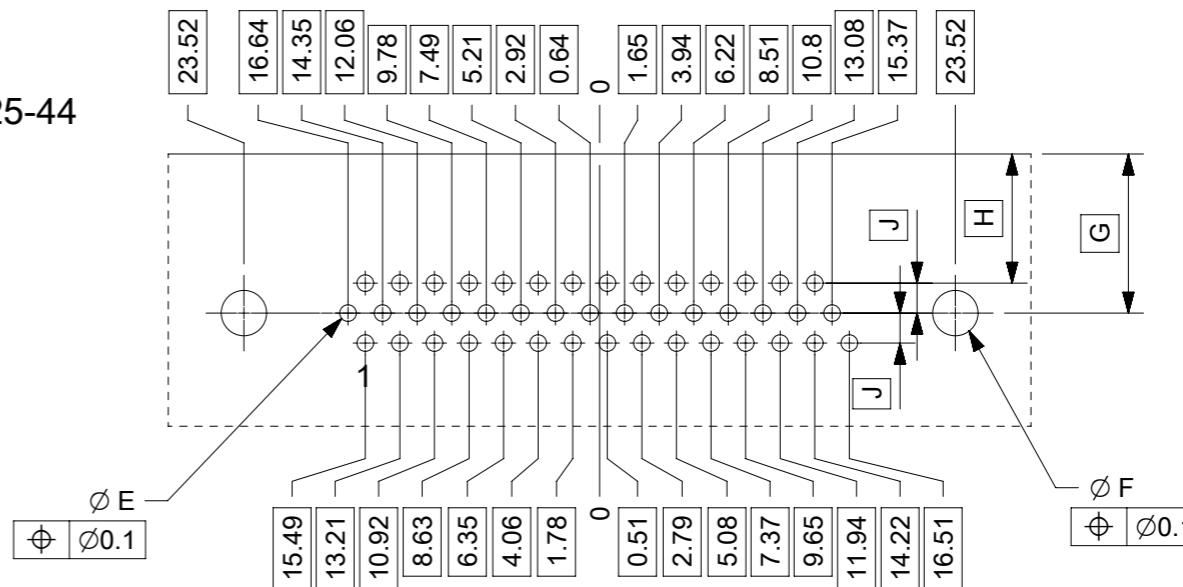
PCB 09-15



PCB 15-26



PCB 25-44



VIEW ON MOUNTING SIDE  
 $\varnothing E$ ,  $\varnothing F$ , G, H, J SEE DATA SHEET INCL. CONNECTOR  
 $\varnothing F$ , G CONNECTORS WITH ACCESSORIES ONLY

THIS DRAWING CONTAINS INFORMATION THAT IS PROPRIETARY TO MOLEX ELECTRONIC TECHNOLOGIES, LLC AND SHOULD NOT BE USED WITHOUT WRITTEN PERMISSION											
EC NO: 117803 DRWN: RLALSANGI CHK'D: ISHWARG APPR: ISHWARG	2017/05/12 2017/06/07 2017/06/07	GENERAL TOLERANCES (UNLESS SPECIFIED)		DIMENSION UNITS	SCALE						
		ANGULAR TOL $\pm$ °		MM	2:1						
		4 PLACES	$\pm$	DRWN BY	DATE	PCB HOLE PATTERN SOCKET HIGH-DENSITY CONNECTOR RIGHT ANGLED					
		3 PLACES	$\pm$	RLALSANGI	2017/05/12						
		2 PLACES	$\pm$	CHK'D BY	DATE	PRODUCT CUSTOMER DRAWING					
		1 PLACE	$\pm$	ISHWARG	2017/06/07						
0 PLACES	$\pm$	APPR BY	DATE	SERIES	MATERIAL NUMBER	CUSTOMER					
DRAFT WHERE APPLICABLE MUST REMAIN WITHIN DIMENSIONS		DRAWING SIZE	THIRD ANGLE PROJECTION	A3	173113	NOT APPLICABLE	GENERAL MARKET				
				DOCUMENT NUMBER		DOC TYPE	DOC PART	SHEET NUMBER			
				1731131003		PSD	000	1 OF 1			