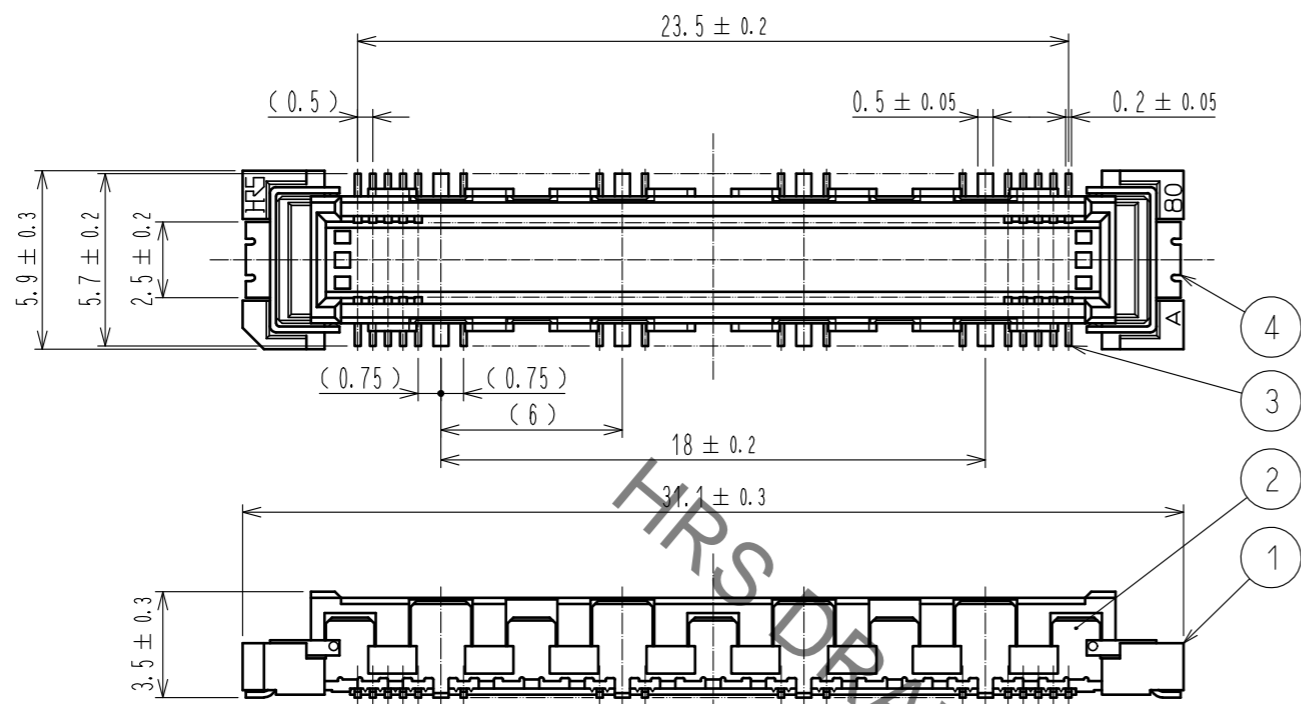
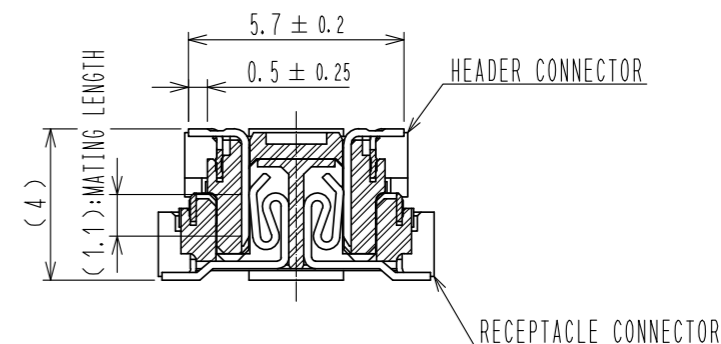


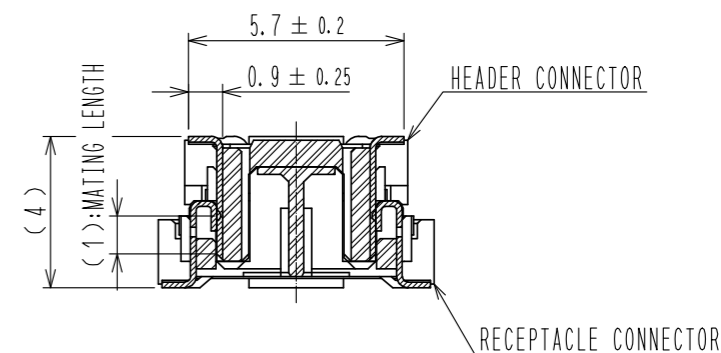
Apr.1.2023 Copyright 2023 HIROSE ELECTRIC CO., LTD. All Rights Reserved.  
In case of consideration for using Automotive equipment / device which demand high reliability, kindly contact our sales window correspondents.



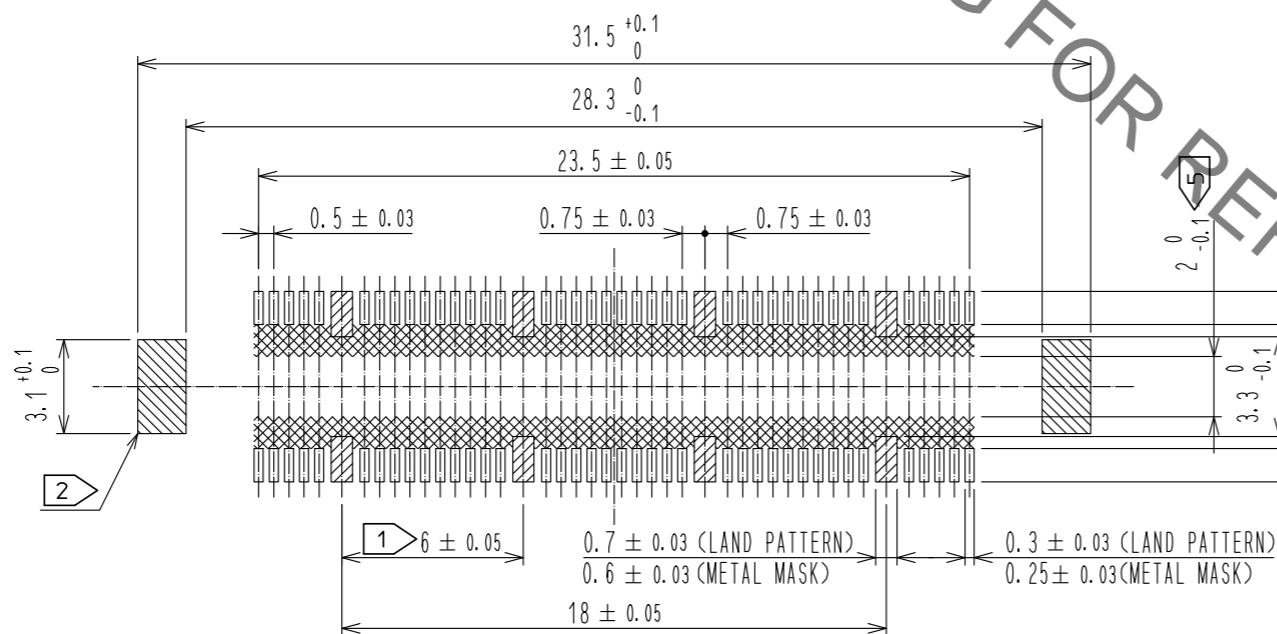
CROSS CUT SECTION - SIGNAL(5:1)



CROSS CUT SECTION - GROUND(5:1)



RECOMMENDED LAND PATTERN DIMENSION OF PCB  
(RECOMMENDED METAL MASK THICKNESS : 0.15mm)



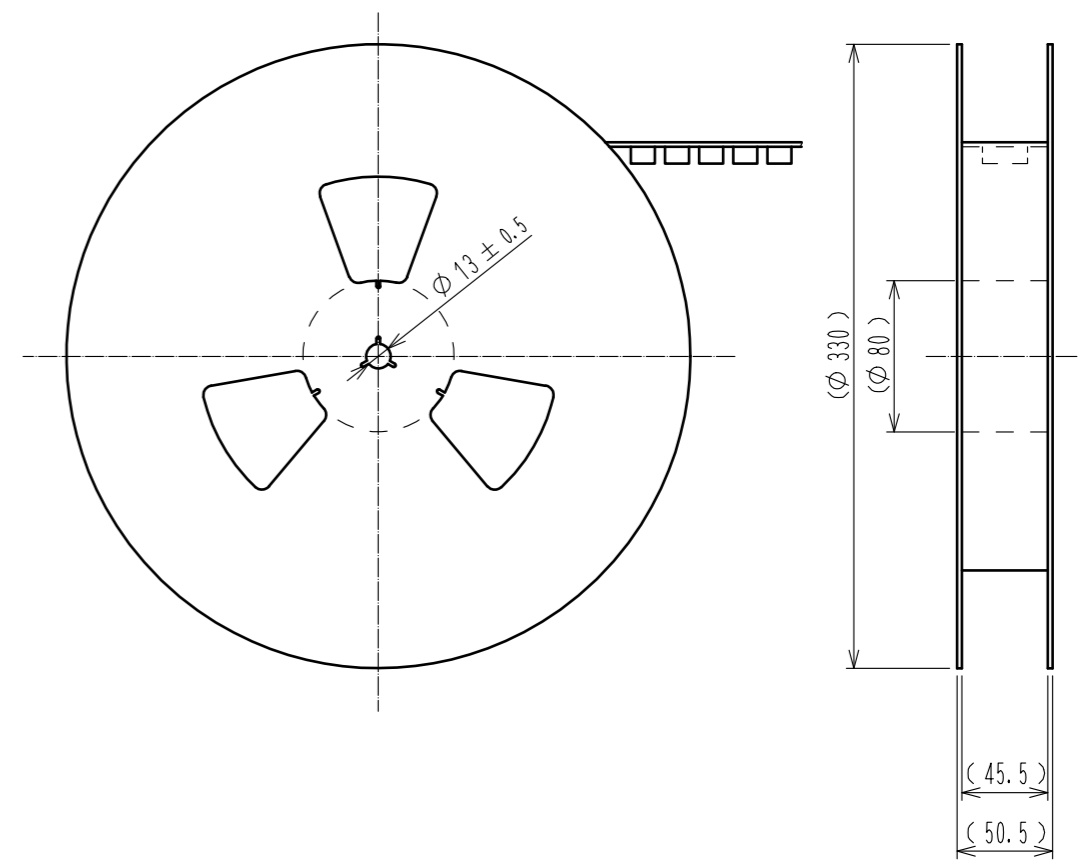
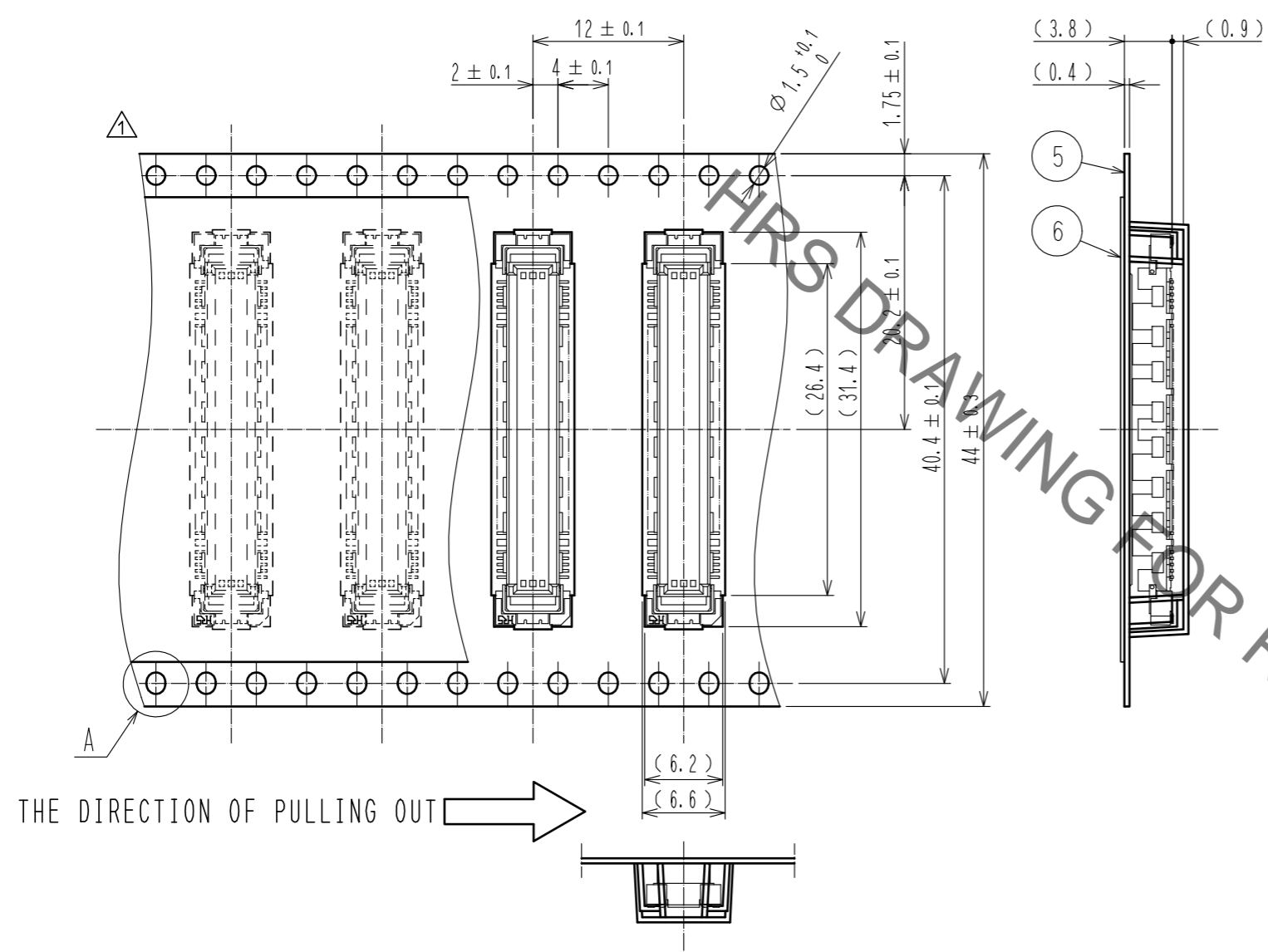
- NOTES
- ① 8 HATCHED PARTS : GROUND CIRCUIT.
  - ② 2 HATCHED PARTS : GROUND CIRCUIT.
  - 3 SMT LEAD-COPLANARITY : 0.1 MAX.
  - 4 THIS PRODUCT HAS NO POLARITY TO PATTERN FOR MOUNTING.
  - ⑤ MAKE SURE WIDTH OF PATTERN IS WITHIN THAT OF LAND, OR LEAD MAY TOUCH PATTERN. (THIS APPLIES TO HATCHED AREA.)
  - 6 EMBOSS CARRIER TAPE PACKAGE IS APPLIED ON THIS PRODUCT. PLEASE REFER TO THE SHEET 2/2 FOR THE DETAILS.
  - 7 THE DIMENSIONS IN PARENTHESES ARE FOR REFERENCE.

4	PHOSPHOR BRONZE	TIN-PLATING			
3	PHOSPHOR BRONZE	CONTACT AREA :GOLD 0.1μm min.			
		LEAD AREA :TIN-PLATING 1μm min.			
		UNDER PLATING:NICKL 1μm min.			
2	PHOSPHOR BRONZE	TIN-PLATING	6	POLYESTER	TOP COVER TAPE
1	LCP	BEIGE	5	POLYSTYRENE	EMBOSSED CARRIER TAPE
NO.	MATERIAL	FINISH . REMARKS	NO.	MATERIAL	FINISH . REMARKS
UNITS mm		SCALE 4 : 1	COUNT 1	DESCRIPTION OF REVISIONS DIS-F-00015123	
DESIGNED SY. KUDO		CHECKED HT. YAMAGUCHI		DATE 20220831	
APPROVED :HS. OKAWA 20101216			DRAWING NO. EDC-151948-91-22		
CHECKED :HT. YAMAGUCHI 20101215			PART NO. FX10B-80P/8-SV(91)		
DESIGNED :SY. KAMIGA 20101215			CODE NO. CL0570-0021-2-91		
DRAWN :HK. SUNADORI 20101213			1/2		

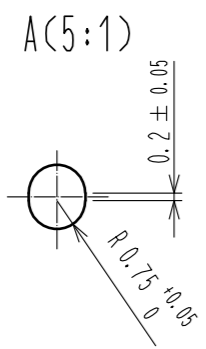
Apr.1.2023 Copyright 2023 HIROSE ELECTRIC CO., LTD. All Rights Reserved.  
 In case of consideration for using Automotive equipment / device which demand high reliability, kindly contact our sales window correspondents.

DRAWING FOR PACKING(2:1)

REELED DIMENSION (Free)



THE DIRECTION OF PULLING OUT →



- NOTES
- 8 1 REEL : 1000 CONNECTORS.
  - 9 MINIMUM 10 COMPARTMENTS FROM BOTH REEL ENDS REMAIN EMPTY.
  - 10 THIS PRODUCT HAS NO POLARITY TO TAPE AND REEL PACKAGING.
  - 11 THE DIMENSIONS IN PARENTHESSES ARE FOR REFERENCE.

<b>HRS</b>	DRAWING NO.	EDC-151948-91-22
	PART NO.	FX10B-80P/8-SV(91)
	CODE NO.	CL0570-0021-2-91

2/2