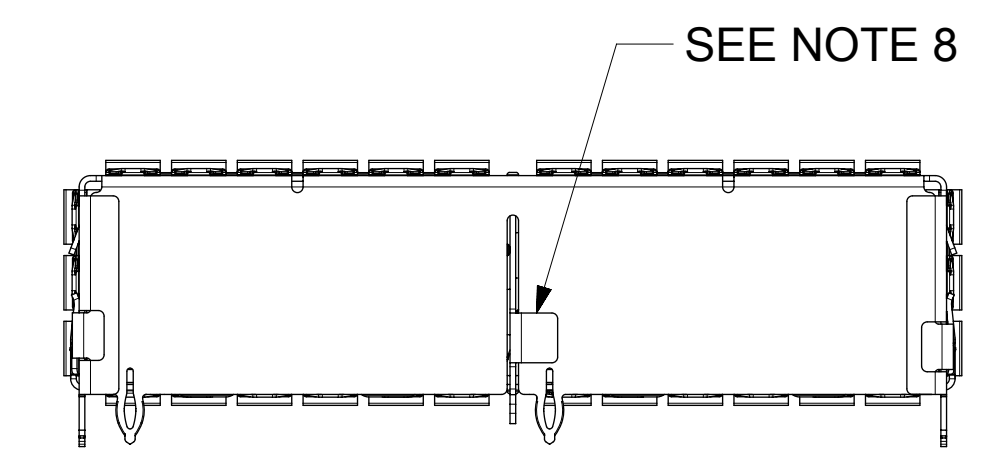
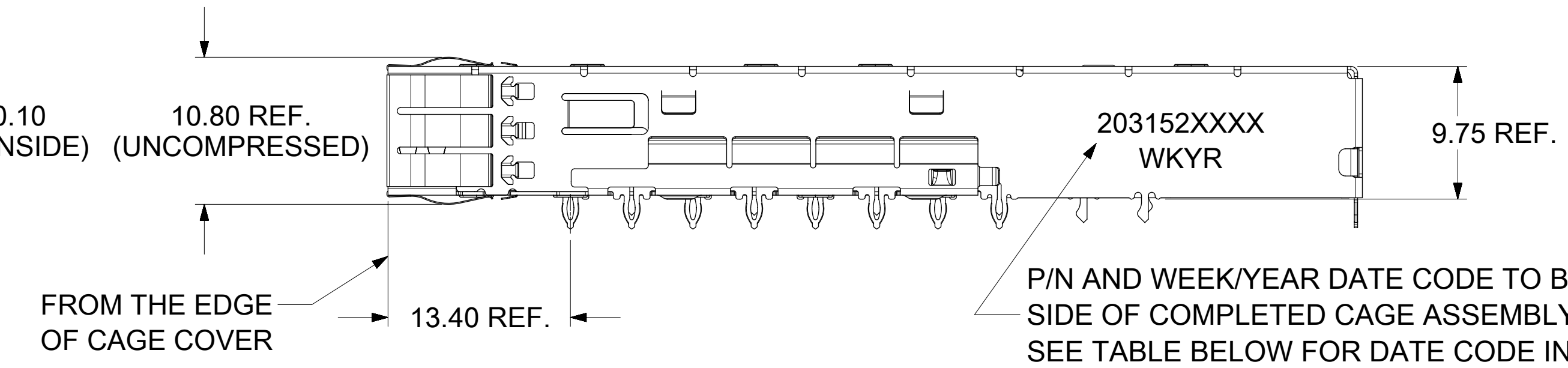
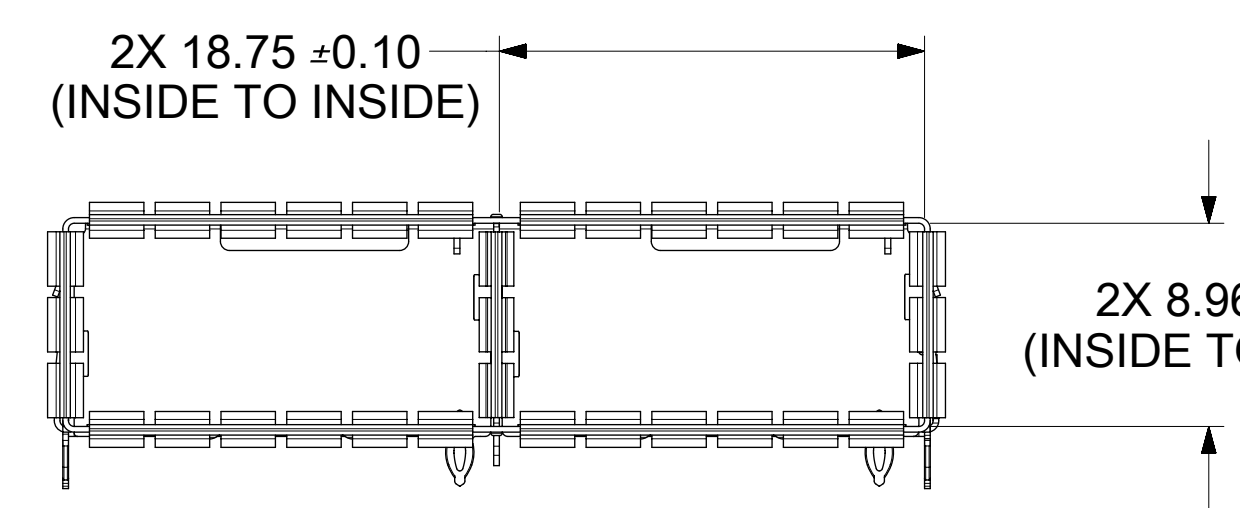
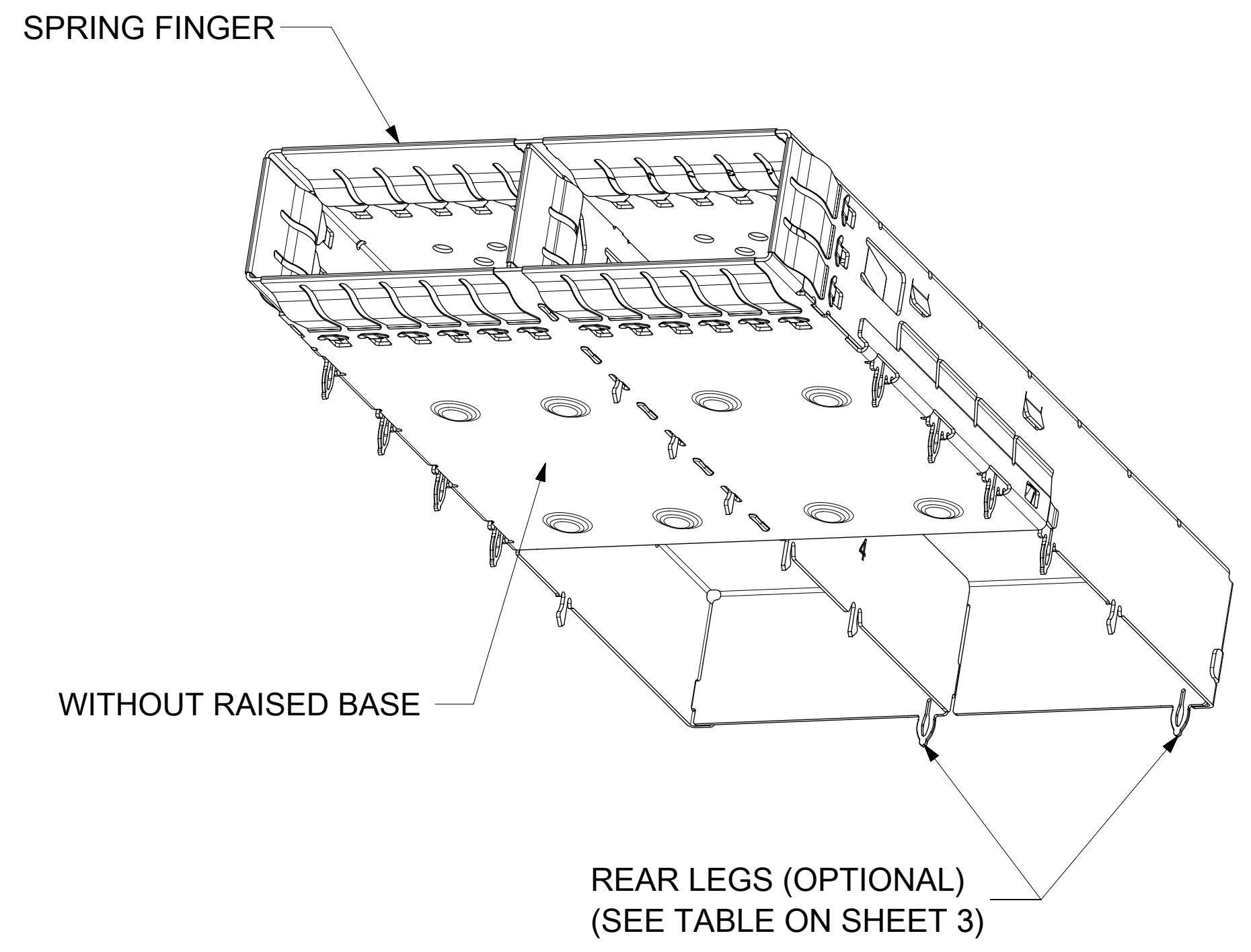
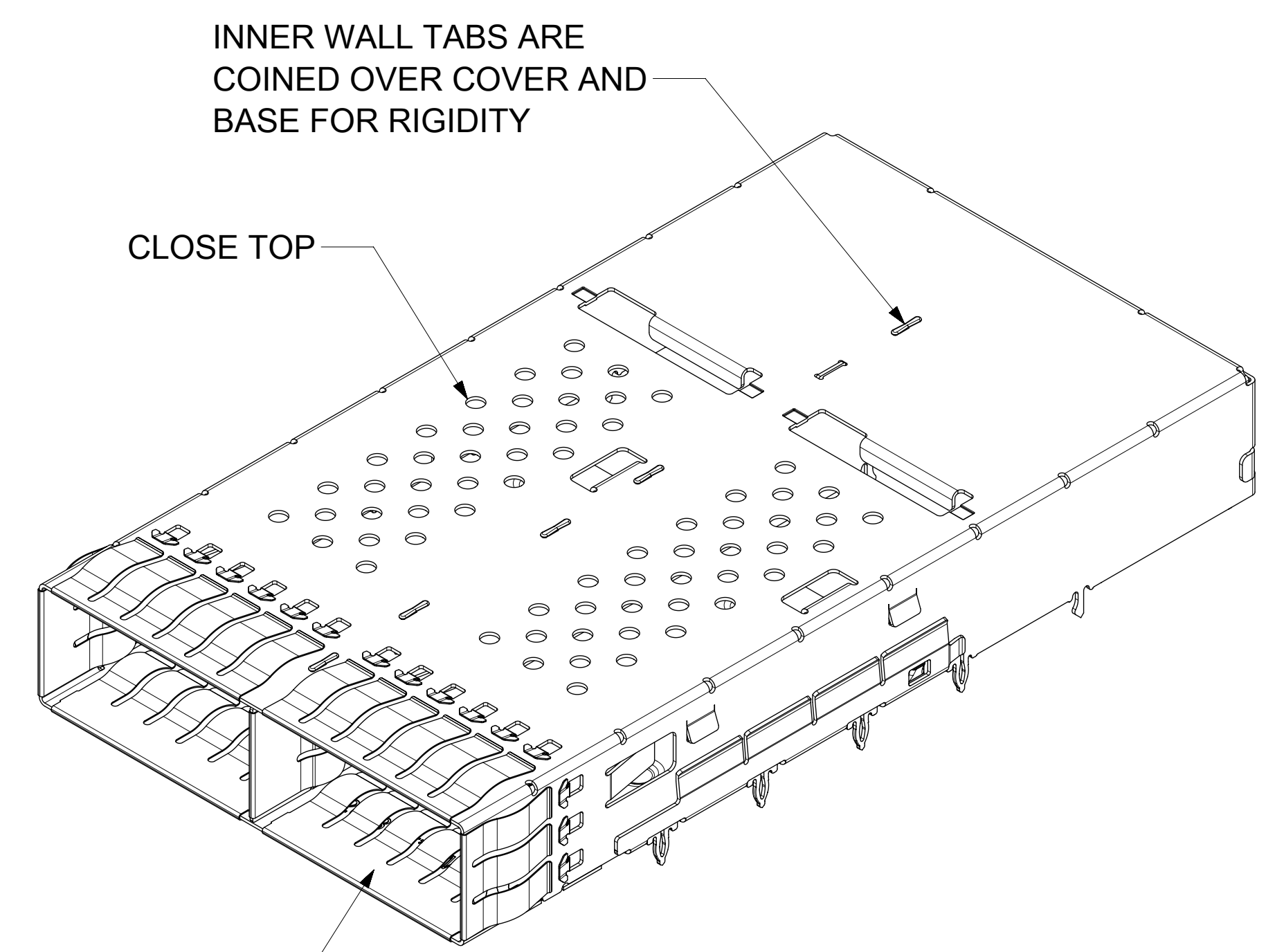
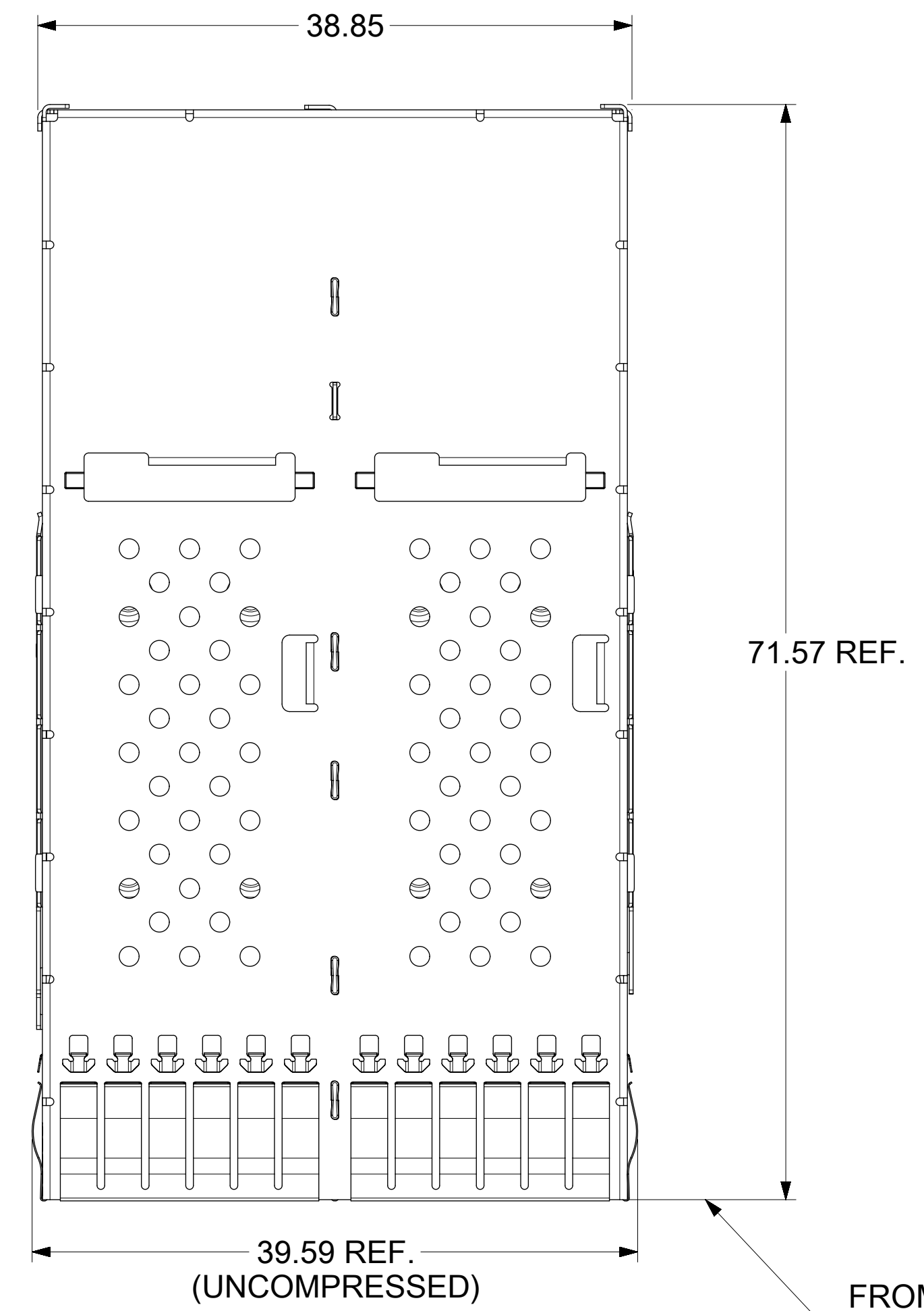


BASE CAGE DETAILS

2031521244 SHOWN



- NOTES:**
- MATERIAL: CAGE: STAINLESS STEEL
 SPRING FINGERS: STAINLESS STEEL
 CENTER WALL: STAINLESS STEEL
 HEAT SINK: ALUMINUM (BLACK ANODIZATION)
 HEAT SINK CLIP: STAINLESS STEEL
 - DRAWING APPLIES TO ALL P/N'S SHOWN ON PAGE 3
 - DURING FINAL INSPECTION, CAGE LEG LOCATIONS AND STRAIGHTNESS MUST BE CHECKED USING APPROPRIATE GO - NO GO GAGE
 - DURING FINAL INSPECTION, CAGE MUST BE INSPECTED TO MAKE SURE LEG CONFIGURATIONS AND PART NUMBERS ARE CORRECT, REFER TO SHEETS 3.
 - PARTS TO BE INSPECTED PER MOLEX COSMETIC SPEC WI-HP-7-2774 (CLASS B UNLESS OTHERWISE SPECIFIED)
 - PRESS-FIT LEGS 2.20mm LONG -
 1.57mm MINIMUM PCB THICKNESS FOR SINGLE SIDED USE.
 2.70mm MINIMUM PCB THICKNESS FOR BELLY TO BELLY USE.
 - NO RoHS EXEMPTIONS
 - WELD SPOT MAY SHOW SLIGHT MATERIAL DISCOLORATION.

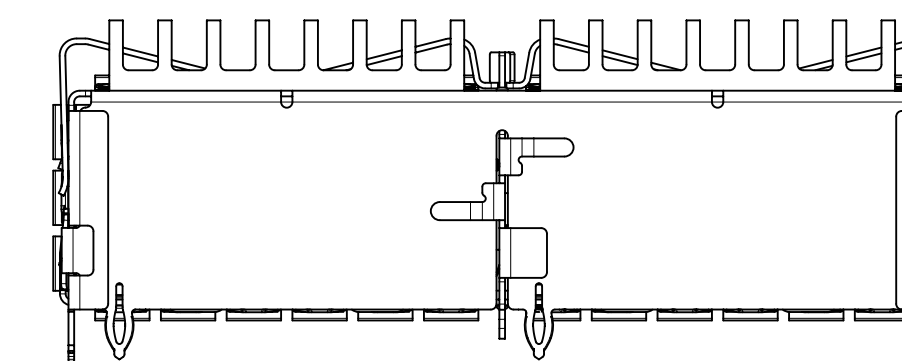
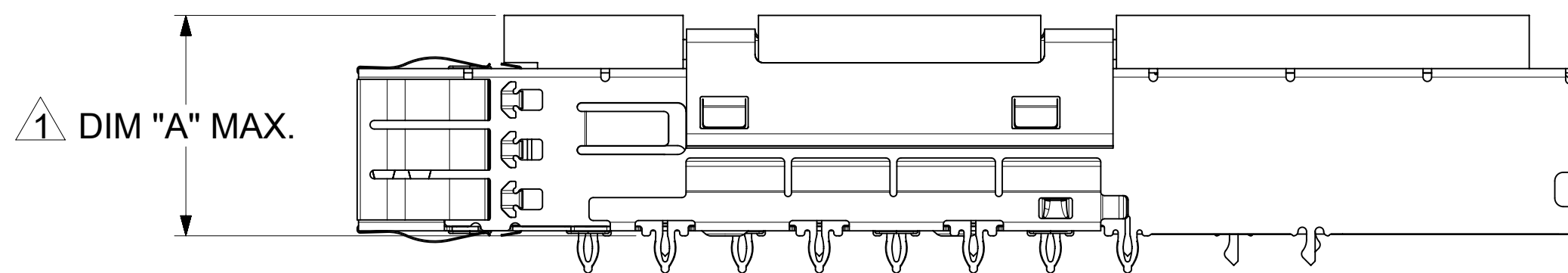
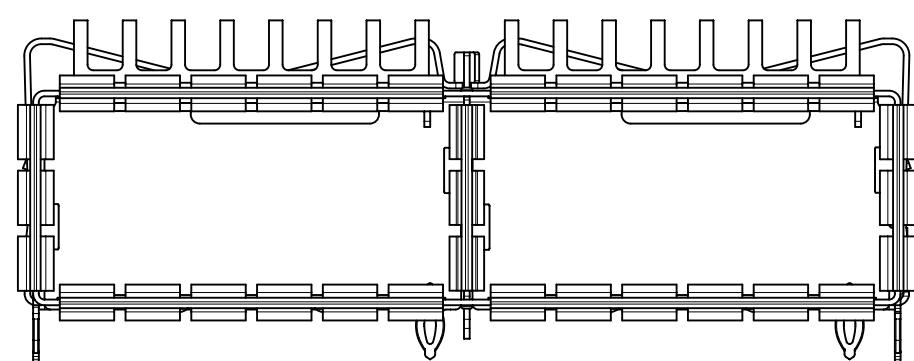
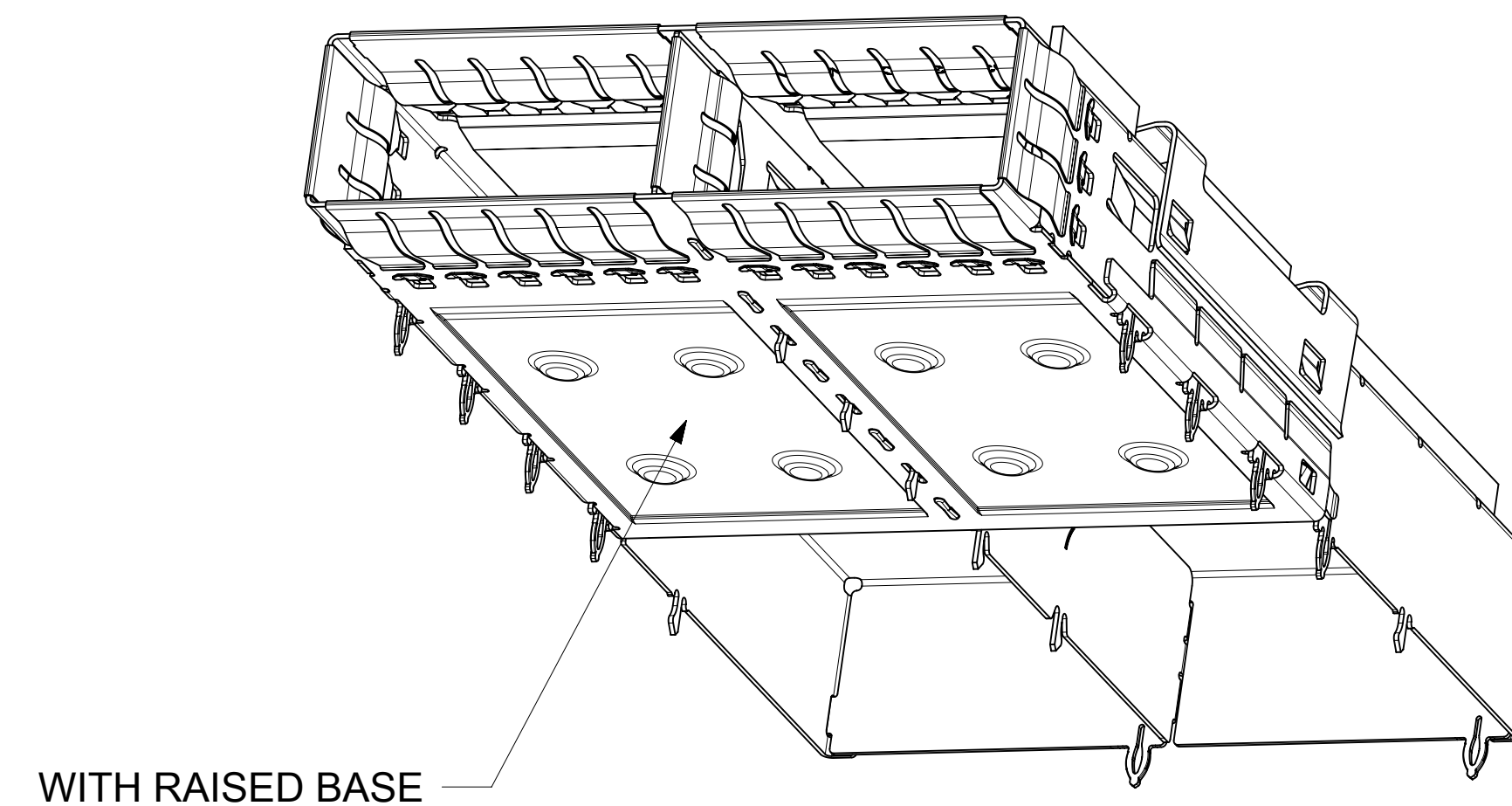
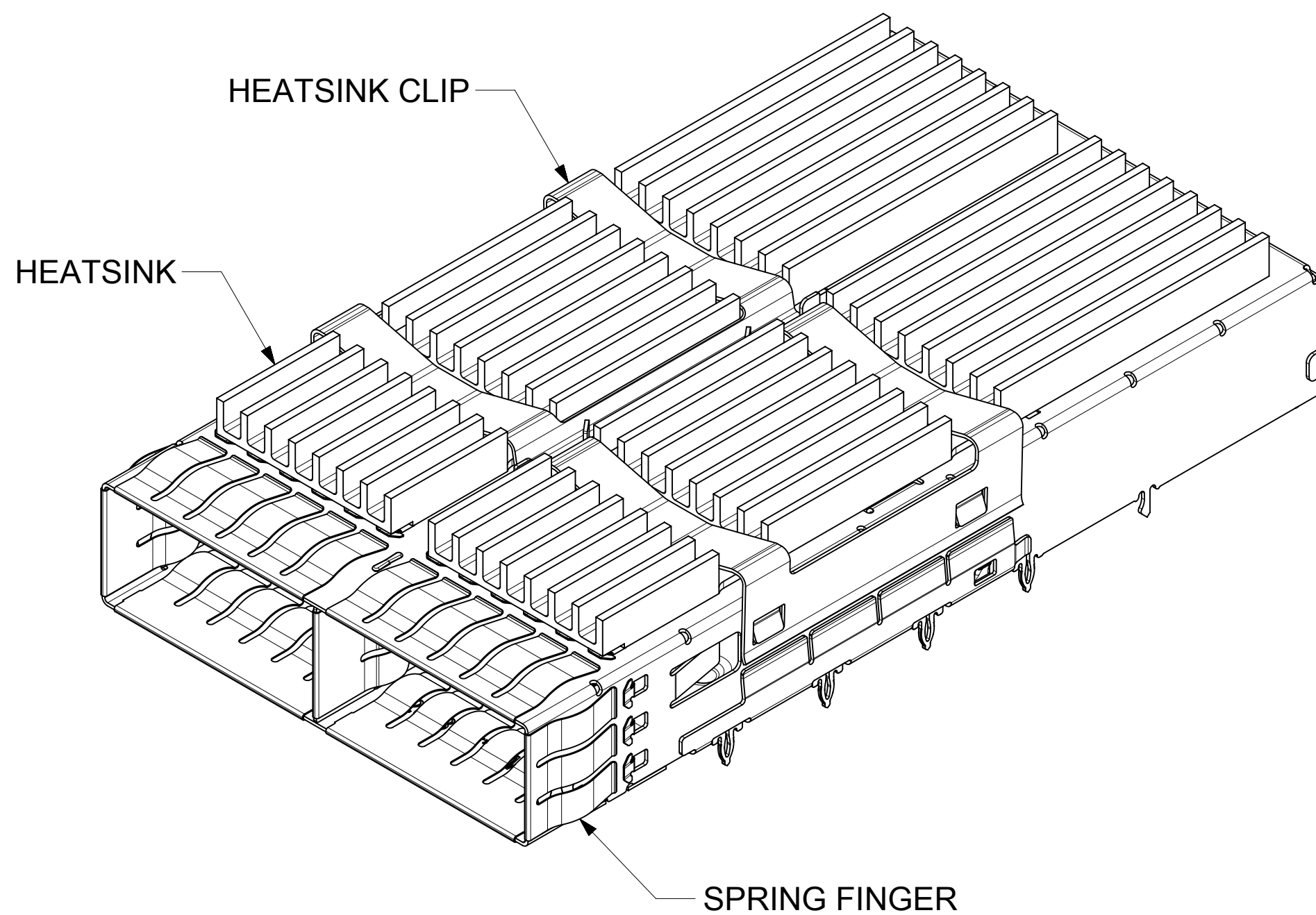
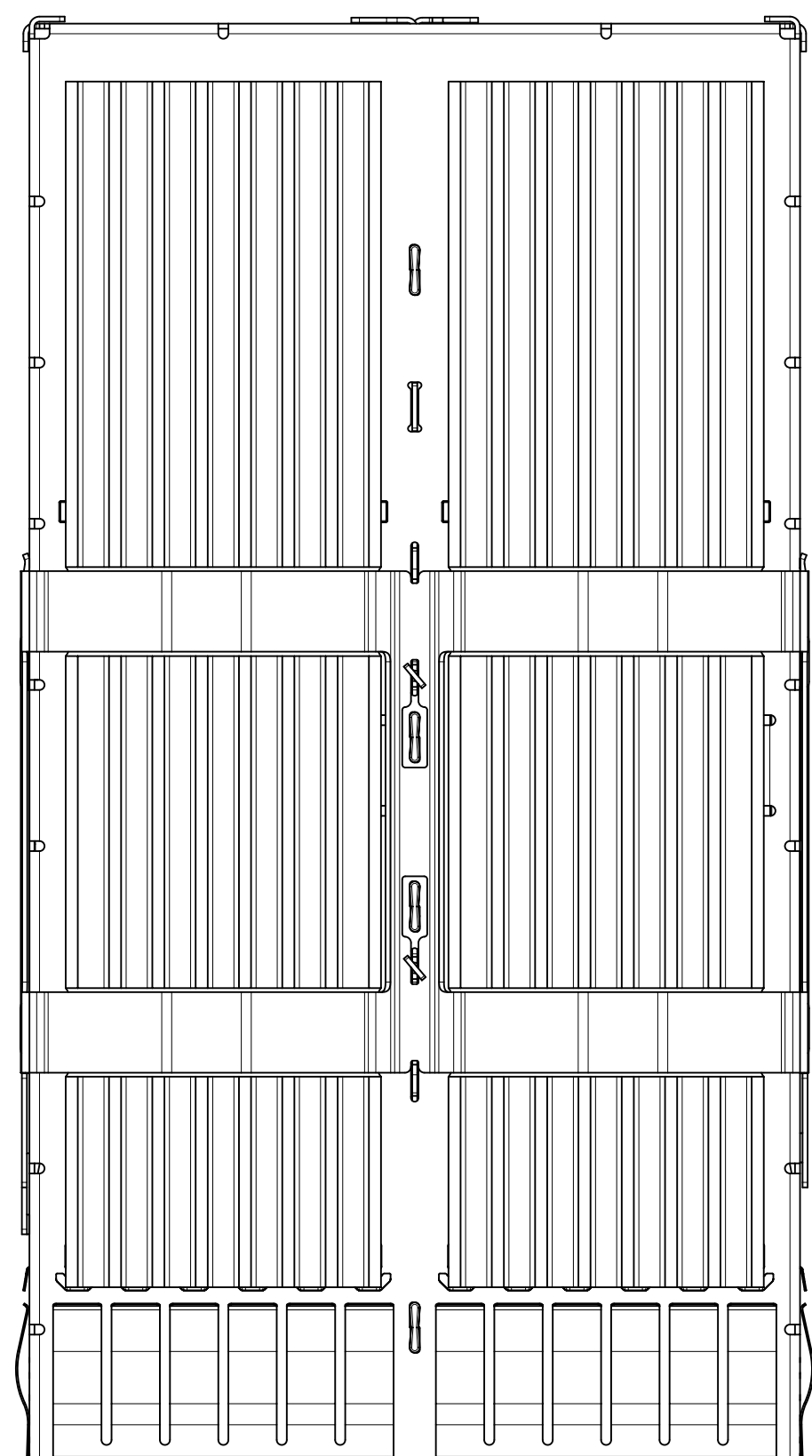
P/N AND WEEK/YEAR DATE CODE TO BE PRINTED ON SIDE OF COMPLETED CAGE ASSEMBLY APPROXIMATELY AS SHOWN. SEE TABLE BELOW FOR DATE CODE INFORMATION.

WEEK/YEAR DATE CODE TABLE	
WK	WEEK OF THE YEAR 01 THRU 52 OR 53 (EXAMPLE: 01= FIRST WEEK OF YEAR, 52 OR 53 = LAST WEEK OF YEAR)
YR	18, 19, 20 ETC.. (EXAMPLE: YEAR 2018= 18)

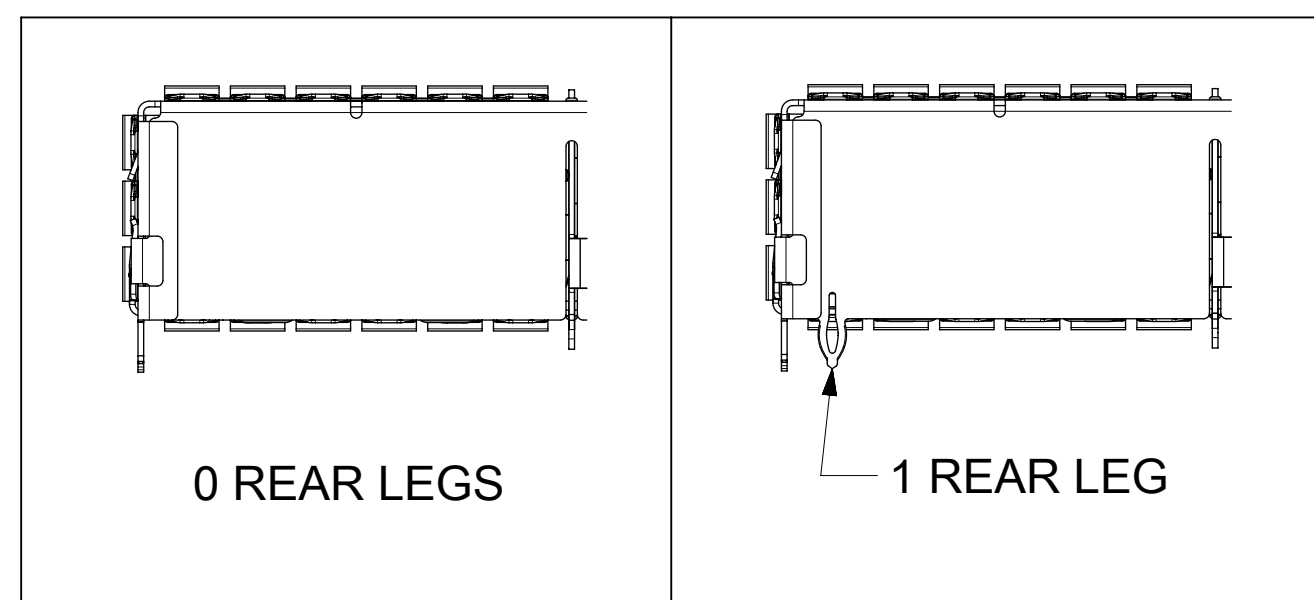
THIS DRAWING CONTAINS INFORMATION THAT IS PROPRIETARY TO MOLEX ELECTRONIC TECHNOLOGIES, LLC AND SHOULD NOT BE USED WITHOUT WRITTEN PERMISSION			
DIMENSION UNITS	SCALE	CURRENT REV DESC: SEE REVISION TABLE	
mm	3:1		
GENERAL TOLERANCES (UNLESS SPECIFIED)			
ANGULAR TOL	± 2.0°	EC NO: 629406	
4 PLACES	±	DRWN: JYEN01	2019/12/13
3 PLACES	±	CHK'D: SCHIEN	2019/12/20
2 PLACES	± 0.13	APPR: JCHIANG	2019/12/20
1 PLACE	± 0.25	INITIAL REVISION:	
0 PLACES	±	DRWN: LLU20	2017/07/20
DRAFT WHERE APPLICABLE MUST REMAIN WITHIN DIMENSIONS		APPR: RCHEN08	2017/08/15
THIRD ANGLE PROJECTION	DRAWING	SERIES	MATERIAL NUMBER
	D-SIZE	203152	SEE P/N TABLE
CUSTOMER		SHEET NUMBER	
GENERAL MARKET		1 OF 7	

CAGE ASSEMBLY OPTIONS

2031522349 SHOWN



REAR LEG OPTIONS



HEAT SINK HEIGHT OPTIONS

OVERALL HEAT SINK HEIGHT	DIM "A"
PCI	13.7
SAN	16.0
NET	23.0

HEIGHT OF HEAT SINK WITH MODULE INSERTED. DIMENSION MAY BE LESS DUE TO MODULE AND HEAT SINK VARIATIONS.

THIS DRAWING CONTAINS INFORMATION THAT IS PROPRIETARY TO MOLEX ELECTRONIC TECHNOLOGIES, LLC AND SHOULD NOT BE USED WITHOUT WRITTEN PERMISSION

DIMENSION UNITS	SCALE	CURRENT REV DESC: SEE REVISION TABLE	
mm	3:1		
GENERAL TOLERANCES (UNLESS SPECIFIED)			
ANGULAR TOL	± 2.0°		
4 PLACES	±	EC NO: 629406	
3 PLACES	±	DRWN: JYEN01	2019/12/13
2 PLACES	± 0.13	CHK'D: SCHIEN	2019/12/20
1 PLACE	± 0.25	APPR: JCHIANG	2019/12/20
0 PLACES	±	INITIAL REVISION:	
DRAFT WHERE APPLICABLE MUST REMAIN WITHIN DIMENSIONS		DRWN: LLU20	2017/07/20
THIRD ANGLE PROJECTION		APPR: RCHEN08	2017/08/15
DRAWING		SERIES	
D-SIZE		203152	
MATERIAL NUMBER		CUSTOMER	
SEE P/N TABLE		GENERAL MARKET	
DOCUMENT NUMBER		DOC TYPE	DOC PART
2031521201		PSD	ASY
REVISION		SHEET NUMBER	
		2 OF 7	

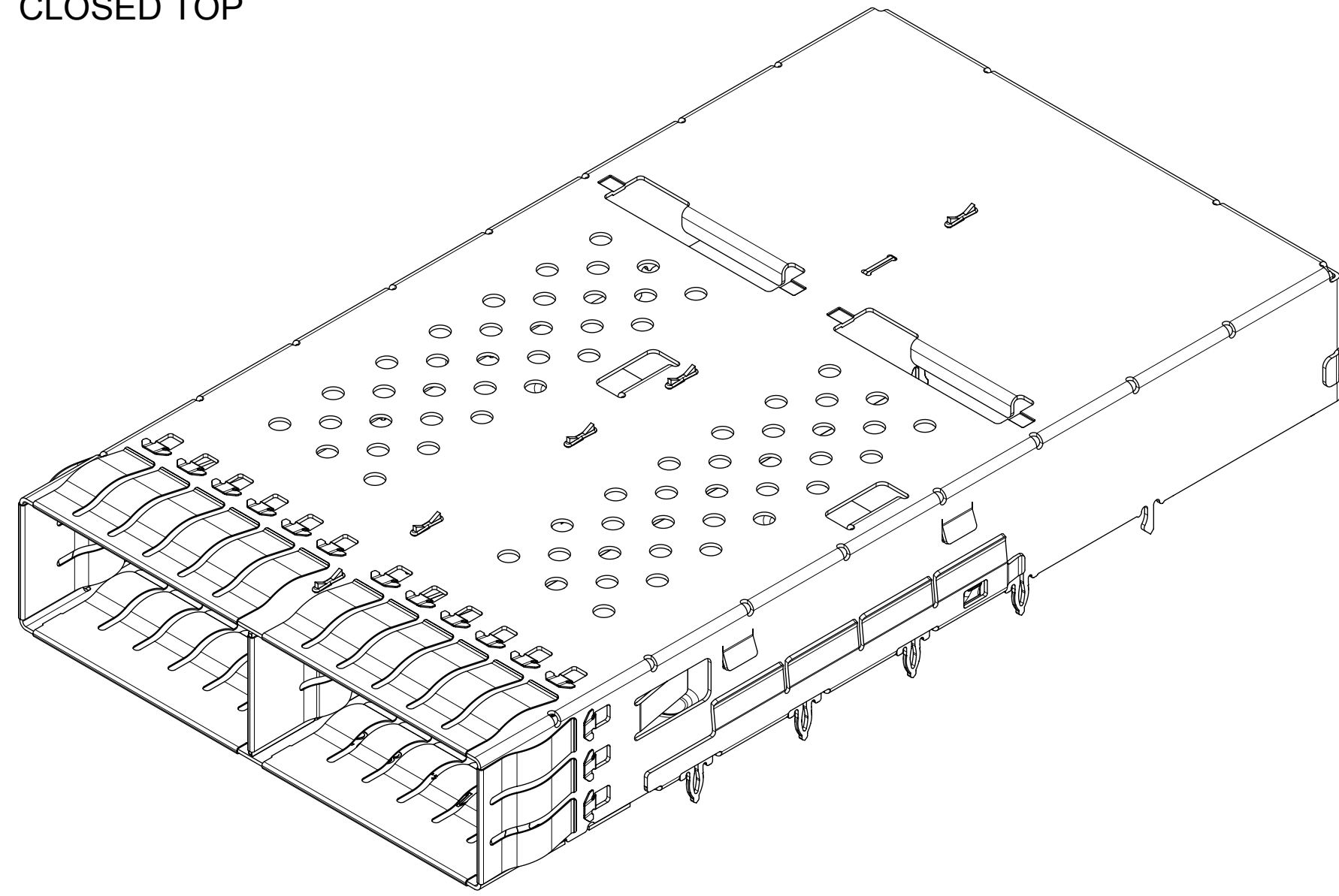
molex

QSFP-DD 1X2 GANGED CAGE ASSY
SF WITH FIN H/S OPTIONS

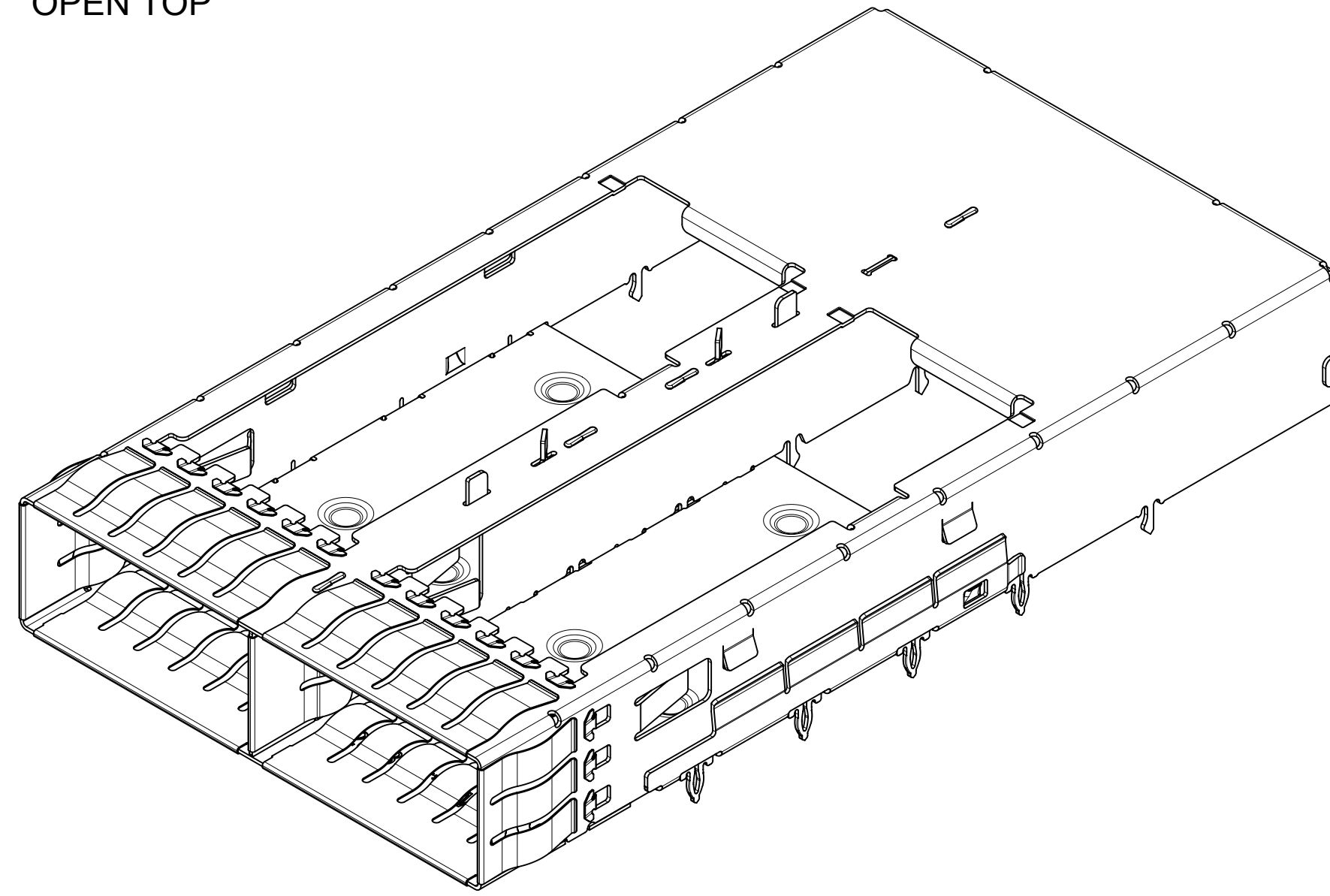
PRODUCT CUSTOMER DRAWING

PART NUMBER SECECTION

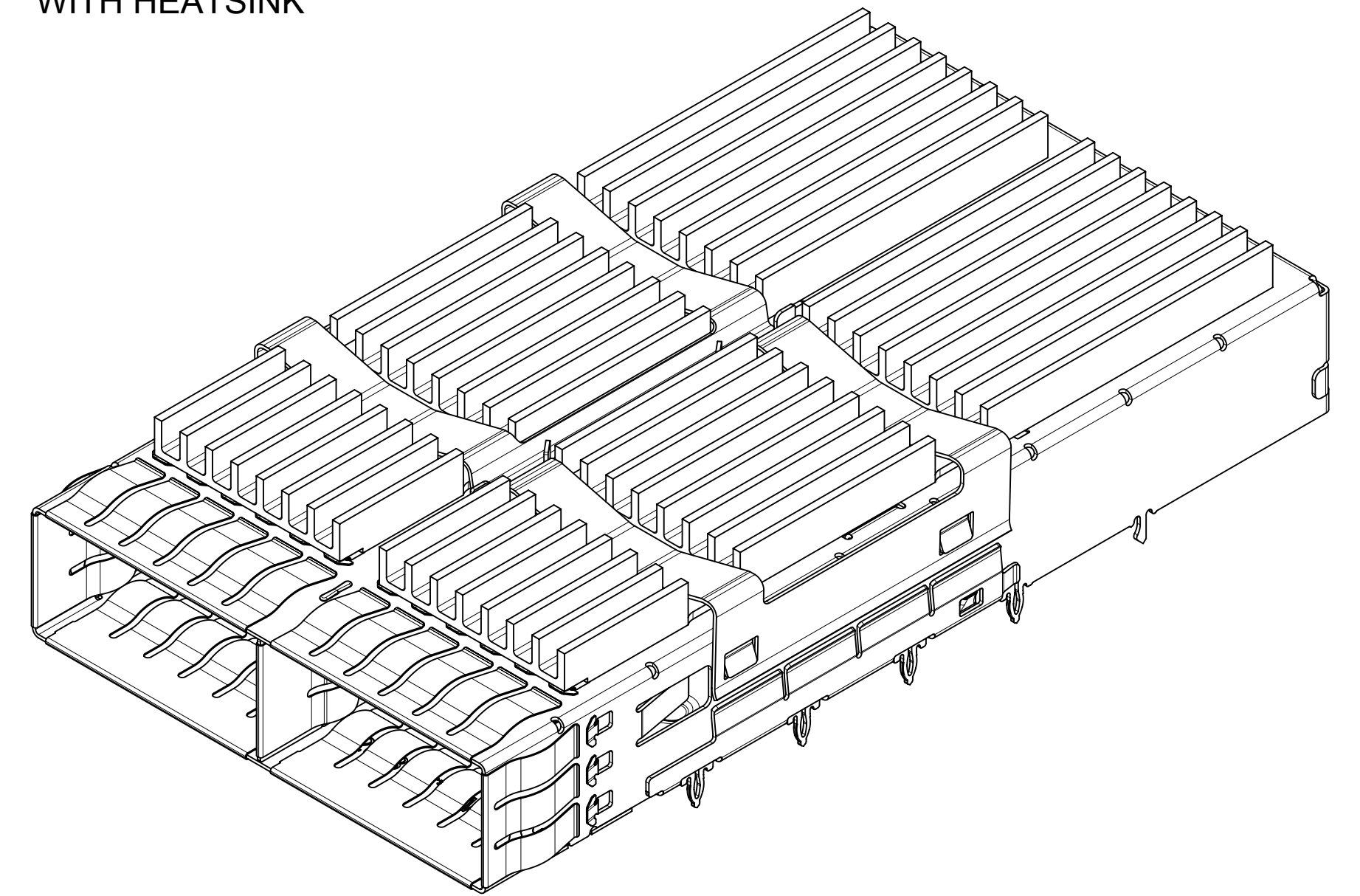
CLOSED TOP



OPEN TOP



WITH HEATSINK

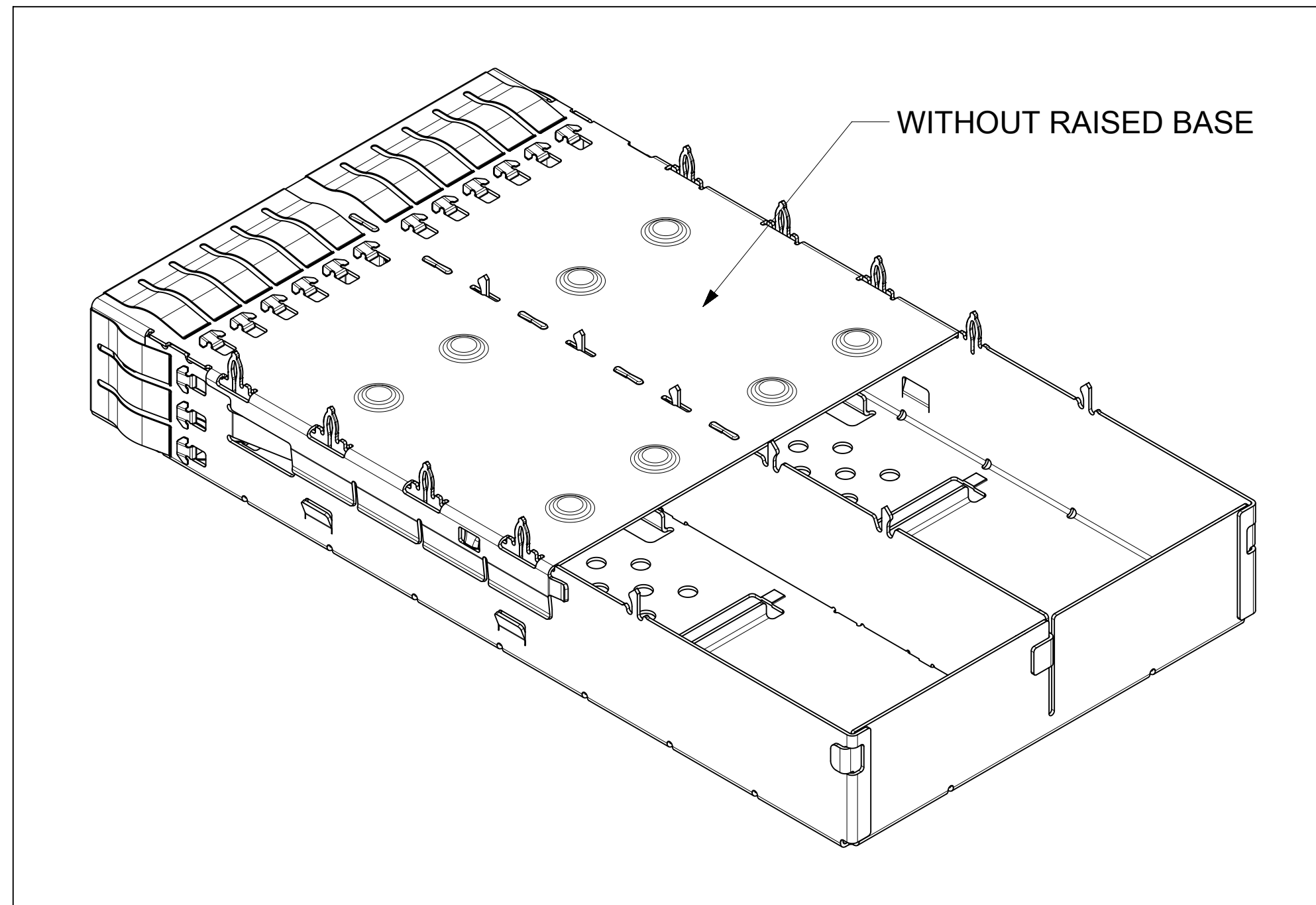


MOLEX P/N	# OF REAR LEGS PER PORT	WITH RAISED BASE
2031521243	0	NO
2031521244	1	NO

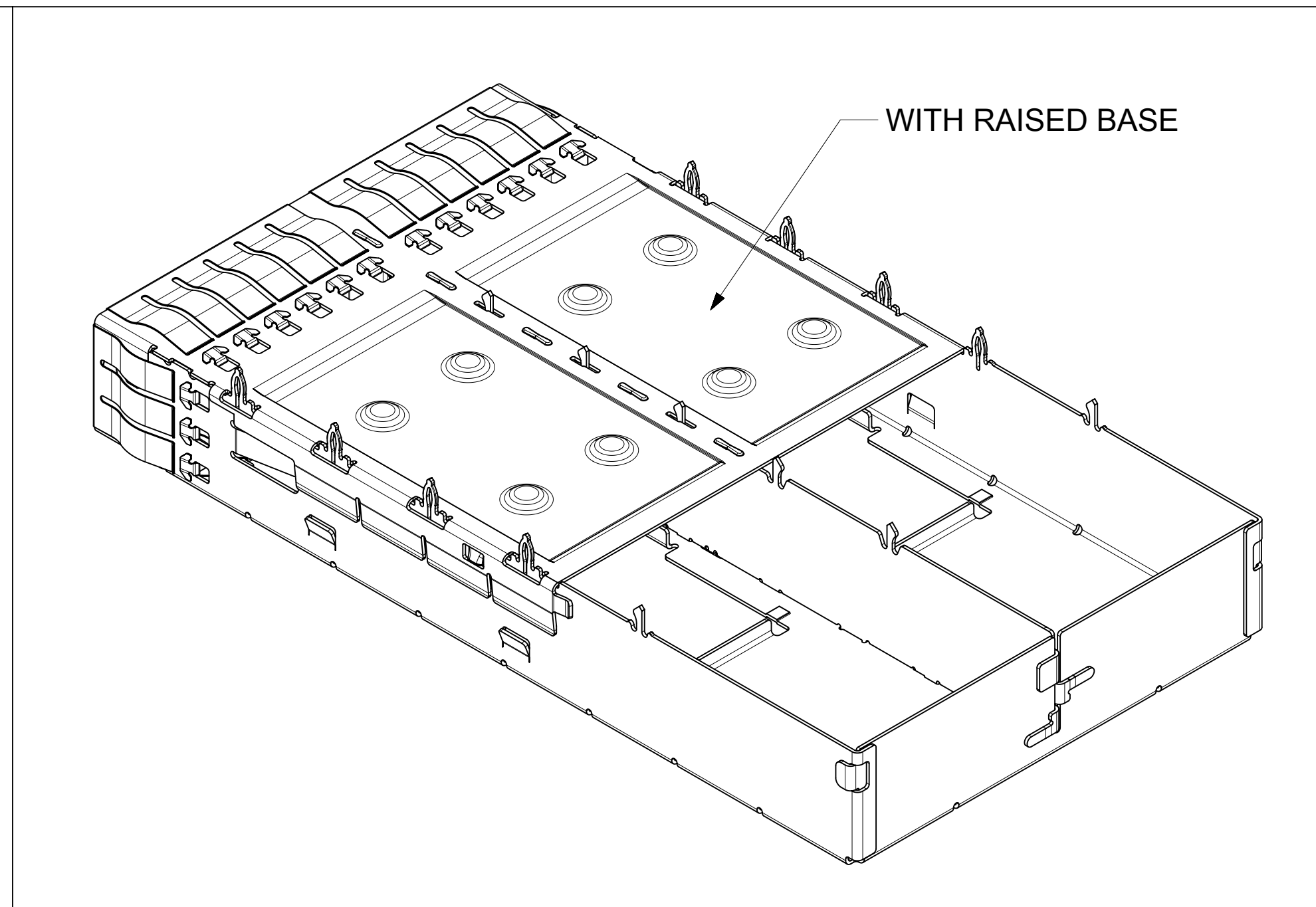
MOLEX P/N	# OF REAR LEGS PER PORT	WITH RAISED BASE
2031521253	0	NO
2031521254	1	NO
2031522253	0	YES
2031522254	1	YES

MOLEX P/N	HEAT SINK	# OF REAR LEGS PER PORT	WITH RAISED BASE
2031521346	PCI	0	NO
2031521347	SAN	0	NO
2031521348	NET	0	NO
2031521349	PCI	1	NO
2031521350	SAN	1	NO
2031521351	NET	1	NO
2031522346	PCI	0	YES
2031522347	SAN	0	YES
2031522348	NET	0	YES
2031522349	PCI	1	YES
2031522350	SAN	1	YES
2031522351	NET	1	YES

RAISED BASE OPTIONS



WITHOUT RAISED BASE



WITH RAISED BASE

THIS DRAWING CONTAINS INFORMATION THAT IS PROPRIETARY TO MOLEX ELECTRONIC TECHNOLOGIES, LLC AND SHOULD NOT BE USED WITHOUT WRITTEN PERMISSION									
DIMENSION UNITS		SCALE		CURRENT REV DESC: SEE REVISION TABLE					
mm		3:1							
GENERAL TOLERANCES (UNLESS SPECIFIED)				EC NO: 629406					
ANGULAR TOL ± 2.0°				DRWN: JYEN01 2019/12/13					
4 PLACES ±				CHK'D: SCHIEN 2019/12/20					
3 PLACES ±				APPR: JCHIANG 2019/12/20					
2 PLACES ± 0.13				INITIAL REVISION:					
1 PLACE ± 0.25				DRWN: LLU20 2017/07/20					
0 PLACES ±				APPR: RCHEN08 2017/08/15					
DRAFT WHERE APPLICABLE MUST REMAIN WITHIN DIMENSIONS		THIRD ANGLE PROJECTION		DRAWING		SERIES		MATERIAL NUMBER	
				D-SIZE		203152		SEE P/N TABLE	
DOCUMENT STATUS				DOC TYPE		DOC PART		REVISION	
P1				PSD		ASY		D2	
RELEASE DATE				CUSTOMER		SHEET NUMBER			
2019/12/20				GENERAL MARKET		7 OF 7			
10:48:45									

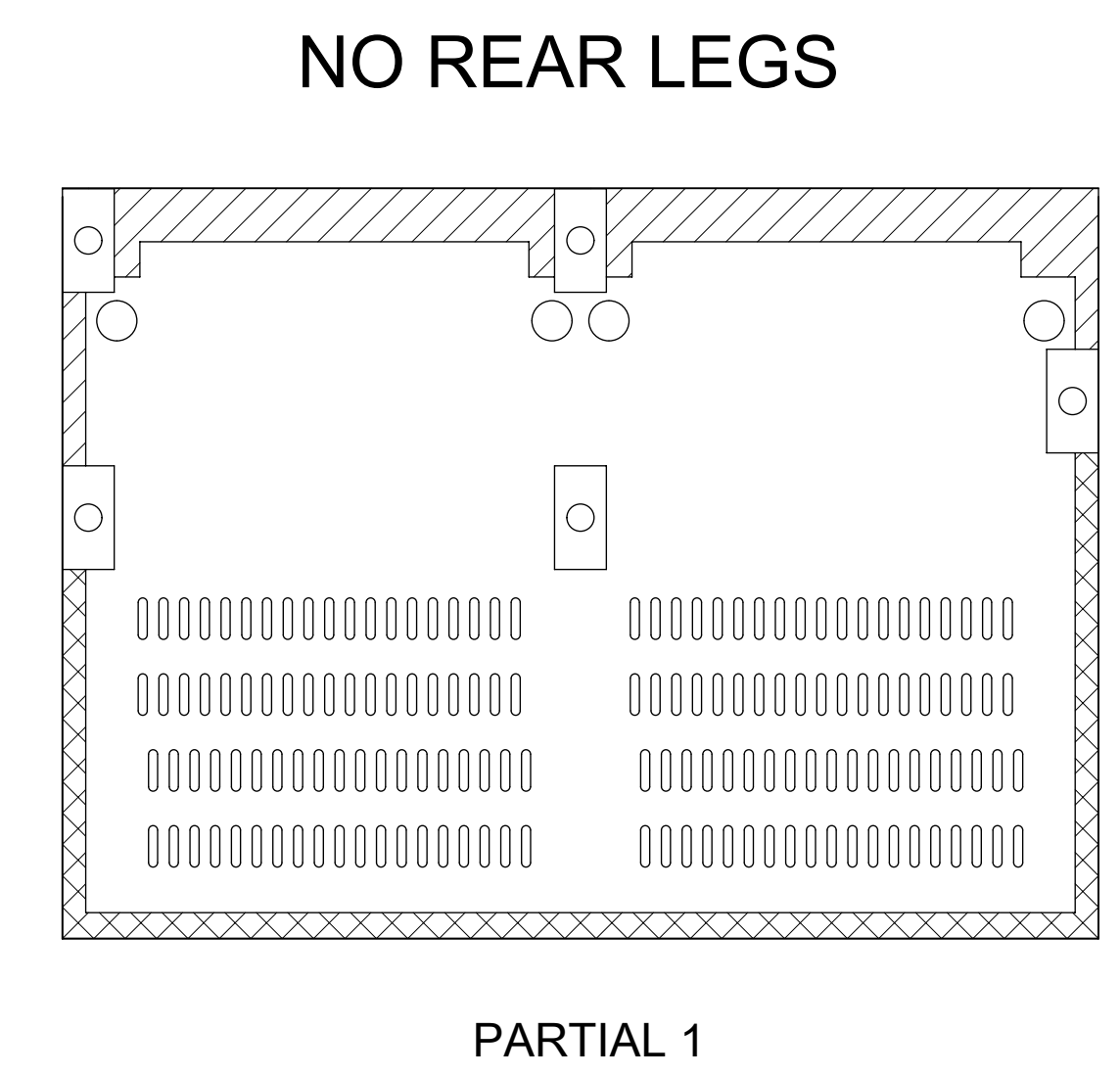
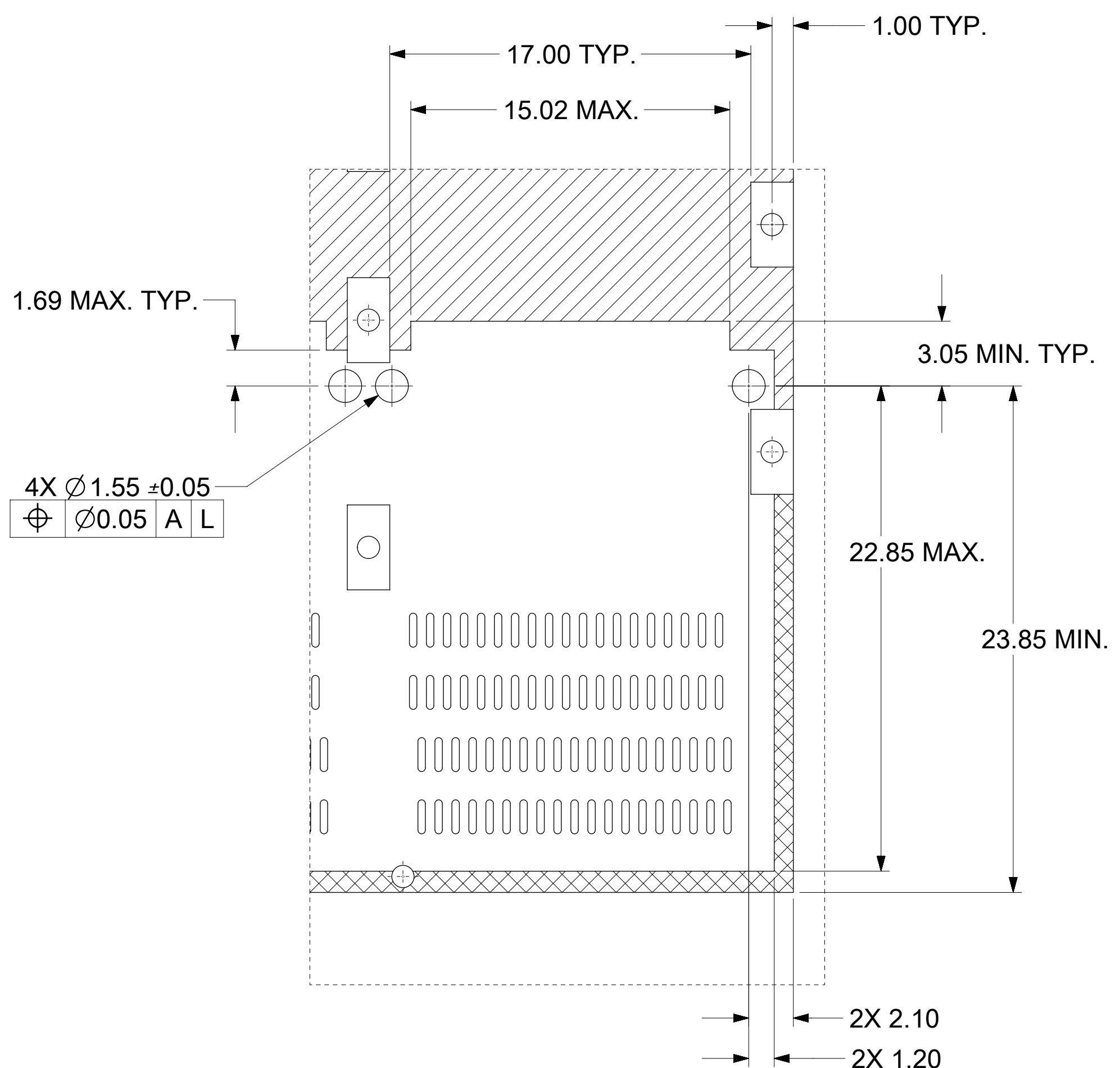
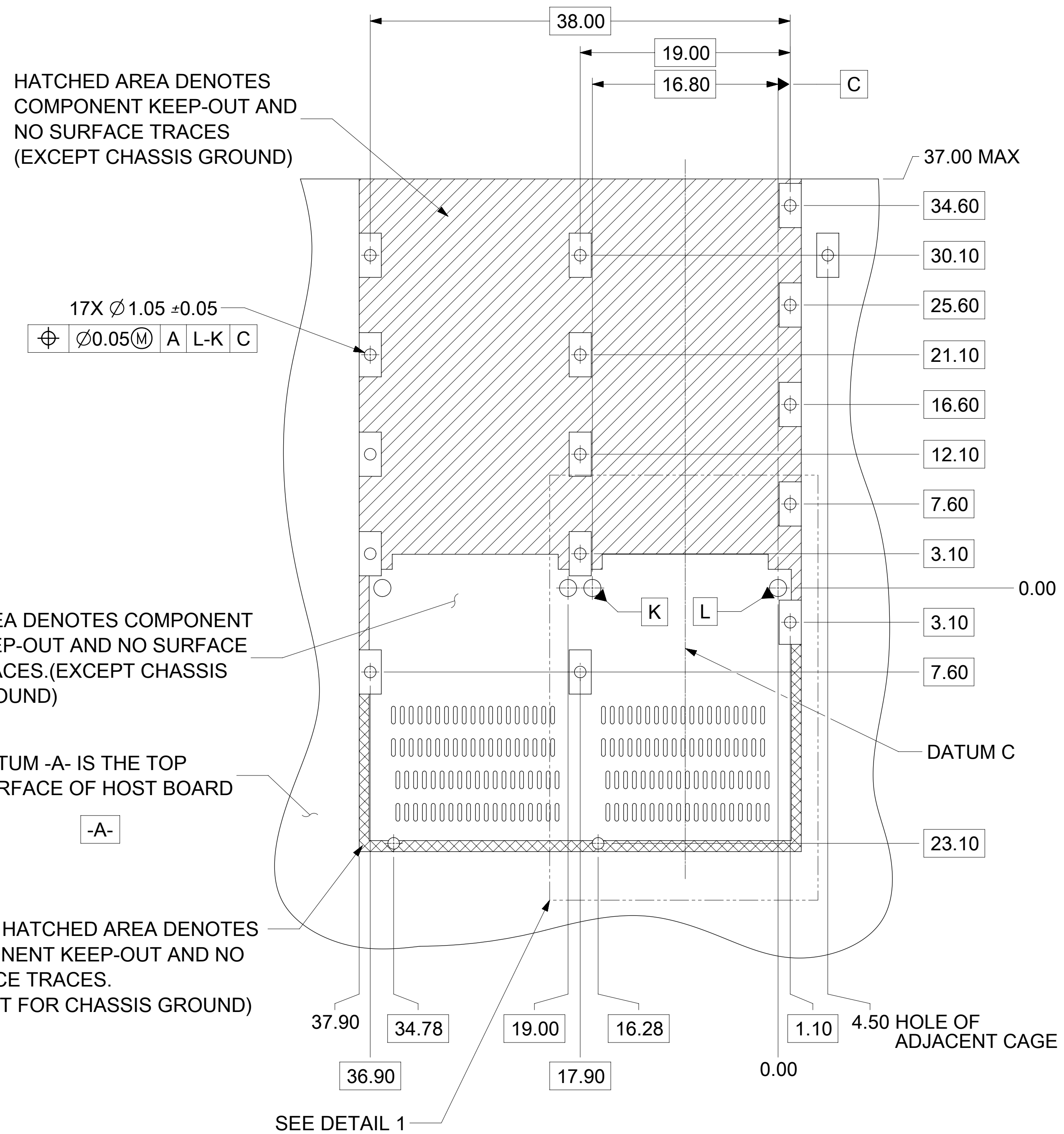
molex

QSFP-DD 1X2 GANGED CAGE ASSY
SF WITH FIN H/S OPTIONS

PRODUCT CUSTOMER DRAWING

DOCUMENT NUMBER: 2031521201
DOC TYPE: PSD
DOC PART: ASY
REVISION: D2

PCB LAYOUT FOR SINGLE SIDED MOUNTING



- NOTES:
1. PADS AND VIAS GO TO CHASSIS GROUND. (RECOMMENDED PADS TO BE 2.00X4.00mm RECTANGLE.)
 2. RECOMMENDED THRU HOLE PLATING INCLUDES HASL, OSP, OR IMMERSION (GOLD, SILVER, OR TIN).
 3. CONNECTOR PAD LAYOUT PER QSFP-DD MSA WILL ACCOMODATE MOLEX CONNECTOR SERIES 202718.

THIS DRAWING CONTAINS INFORMATION THAT IS PROPRIETARY TO MOLEX ELECTRONIC TECHNOLOGIES, LLC AND SHOULD NOT BE USED WITHOUT WRITTEN PERMISSION									
DIMENSION UNITS		SCALE		CURRENT REV DESC: SEE REVISION TABLE					
mm		3.5:1							
GENERAL TOLERANCES (UNLESS SPECIFIED)									
ANGULAR TOL		± 2.0°		EC NO: 629406					
4 PLACES		±		DRWN: JYEN01 2019/12/13					
3 PLACES		±		CHK'D: SCHIEN 2019/12/20					
2 PLACES		± 0.13		APPR: JCHIANG 2019/12/20					
1 PLACE		± 0.25		INITIAL REVISION:					
0 PLACES		±		DRWN: LLU20 2017/07/20					
				APPR: RCHEN08 2017/08/15					
DRAFT WHERE APPLICABLE MUST REMAIN WITHIN DIMENSIONS			THIRD ANGLE PROJECTION		DRAWING		SERIES		MATERIAL NUMBER
					D-SIZE		203152		SEE P/N TABLE
DOCUMENT STATUS				RELEASE DATE		CUSTOMER		SHEET NUMBER	
P1				2019/12/20 10:48:45		GENERAL MARKET		3 OF 7	

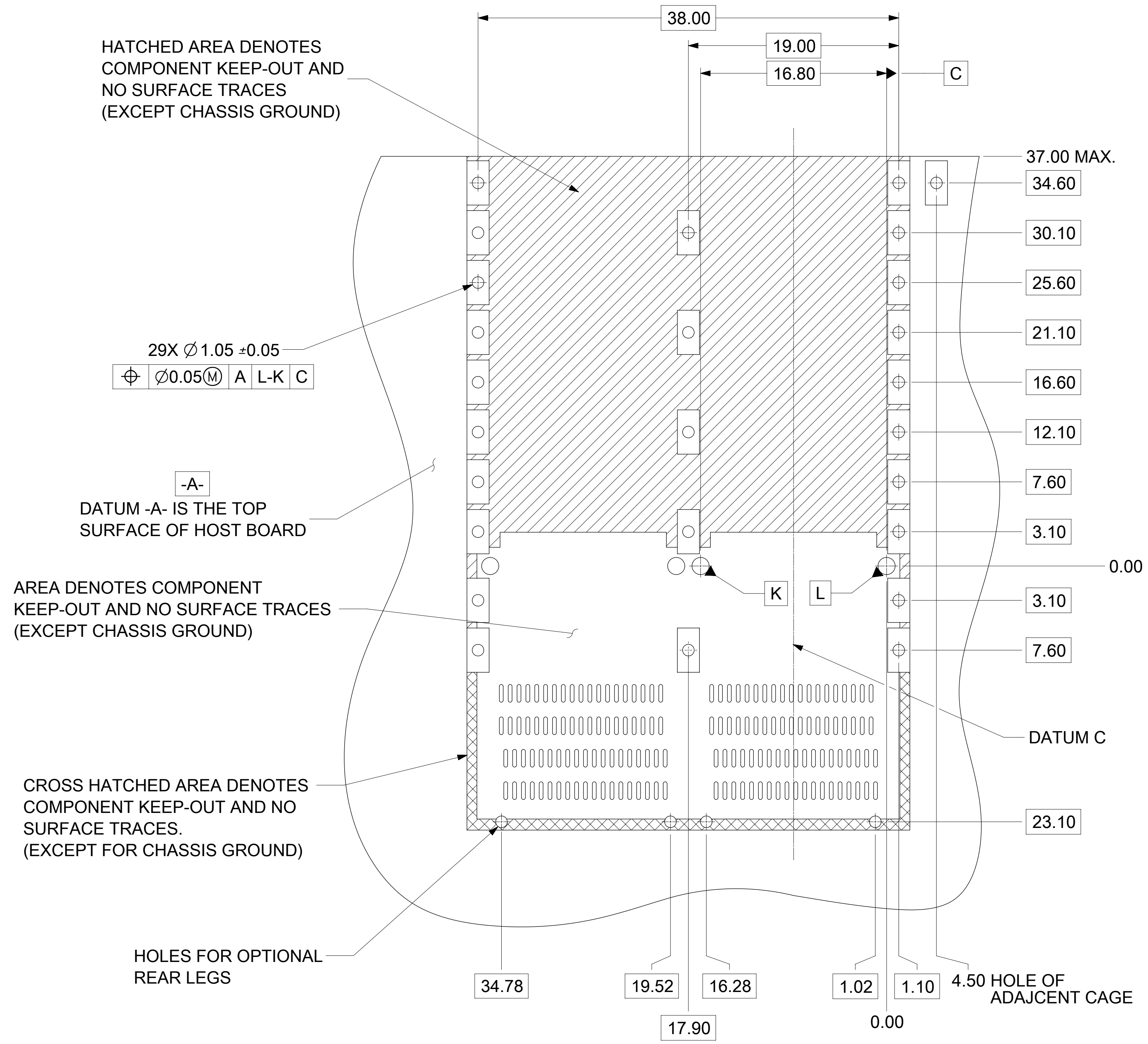
molex

QSFP-DD 1X2 GANGED CAGE ASSY
SF WITH FIN H/S OPTIONS

PRODUCT CUSTOMER DRAWING

DOCUMENT NUMBER	DOC TYPE	DOC PART	REVISION
2031521201	PSD	ASY	D2

PCB LAYOUT FOR BELLY TO BELLY MOUNTING



HATCHED AREA DENOTES COMPONENT KEEP-OUT AND NO SURFACE TRACES (EXCEPT CHASSIS GROUND)

29X $\varnothing 1.05 \pm 0.05$
 $\varnothing 0.05$ M A L-K C

-A-
 DATUM -A- IS THE TOP SURFACE OF HOST BOARD


AREA DENOTES COMPONENT KEEP-OUT AND NO SURFACE TRACES (EXCEPT CHASSIS GROUND)

CROSS HATCHED AREA DENOTES COMPONENT KEEP-OUT AND NO SURFACE TRACES (EXCEPT FOR CHASSIS GROUND)

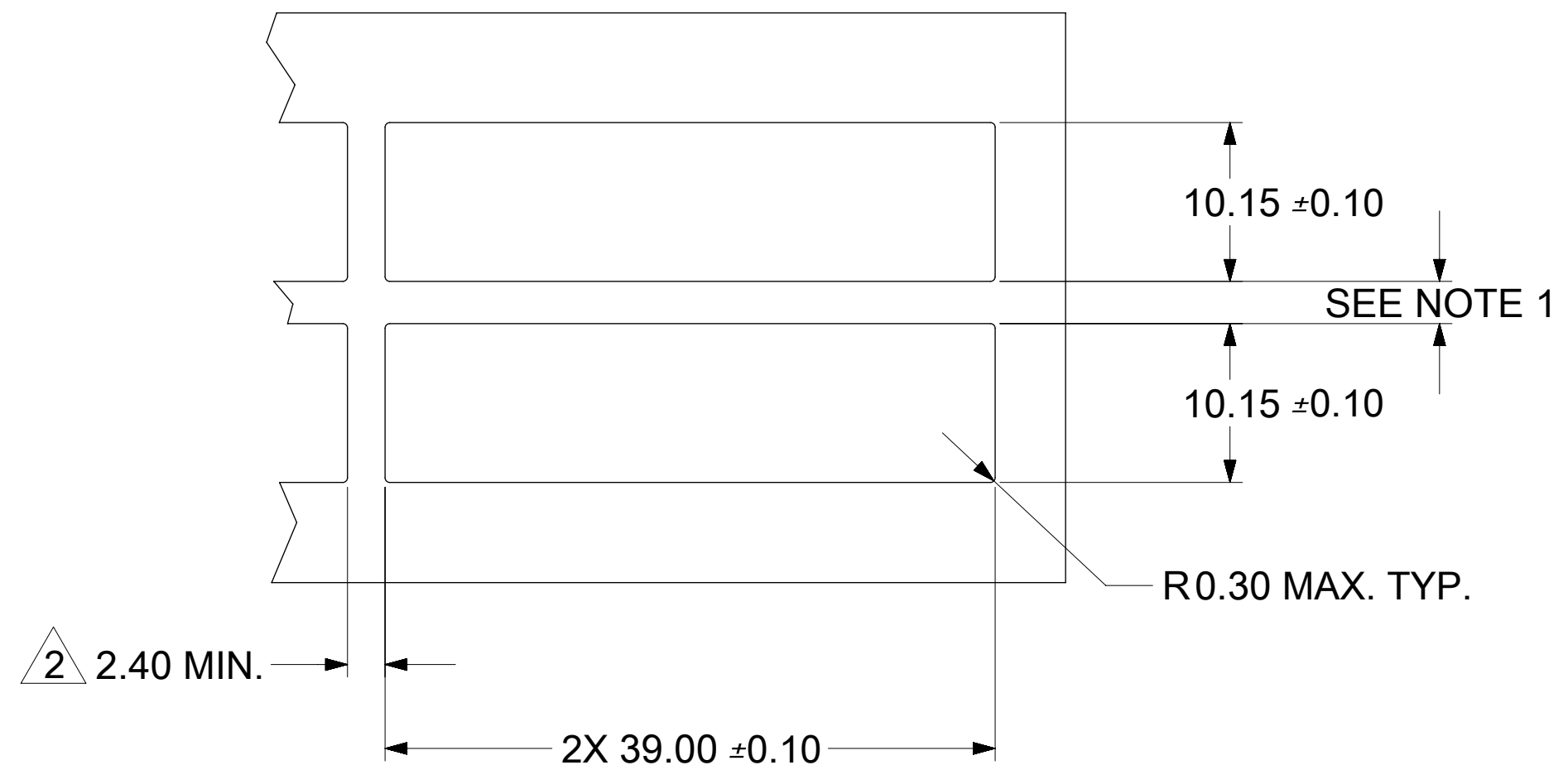
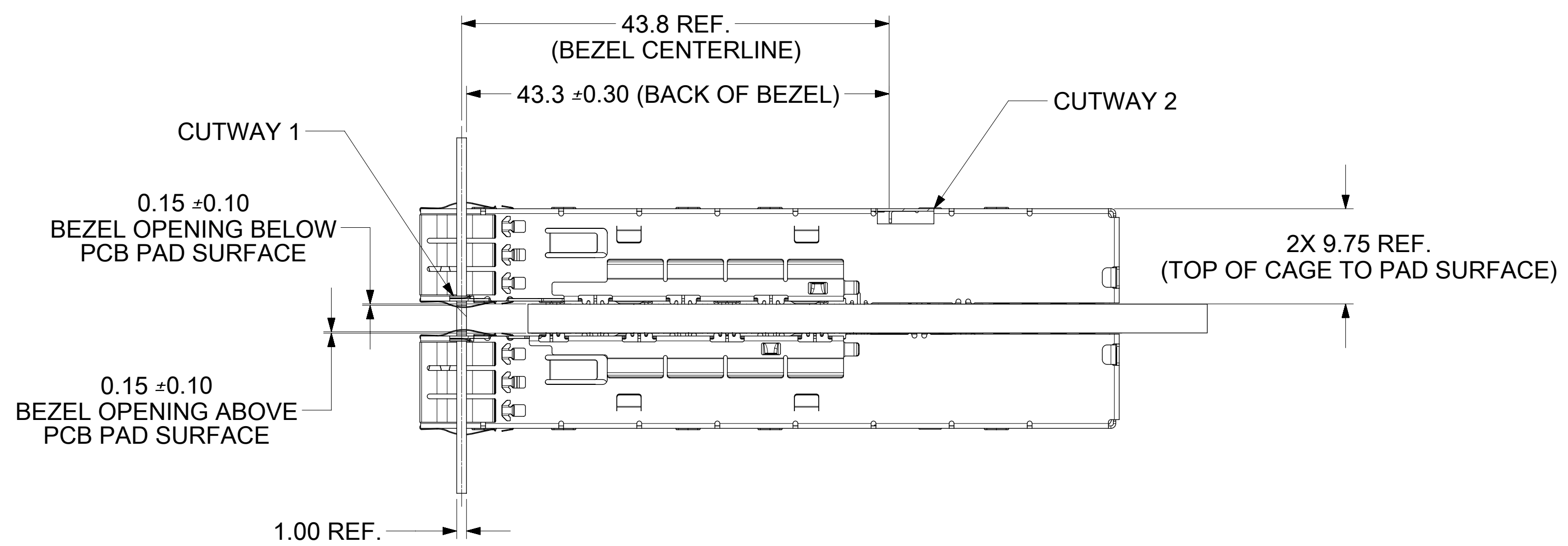
HOLES FOR OPTIONAL REAR LEGS

NOTE:
 SEE SHEET 4 FOR HOST CONNECTOR DETAIL AND LED LOCATION DETAILS

- NOTES:
1. PADS AND VIAS GO TO CHASSIS GROUND. (RECOMMENDED PADS TO BE 2.00x4.00mm RECTANGLE.)
 2. RECOMMENDED THRU HOLE PLATING INCLUDES HASL, OSP, OR IMMERSION (GOLD, SILVER, OR TIN).
 3. CONNECTOR PAD LAYOUT PER QSFP-DD WILL ACCOMMODATE MOLEX CONNECTOR SERRIES 202718.

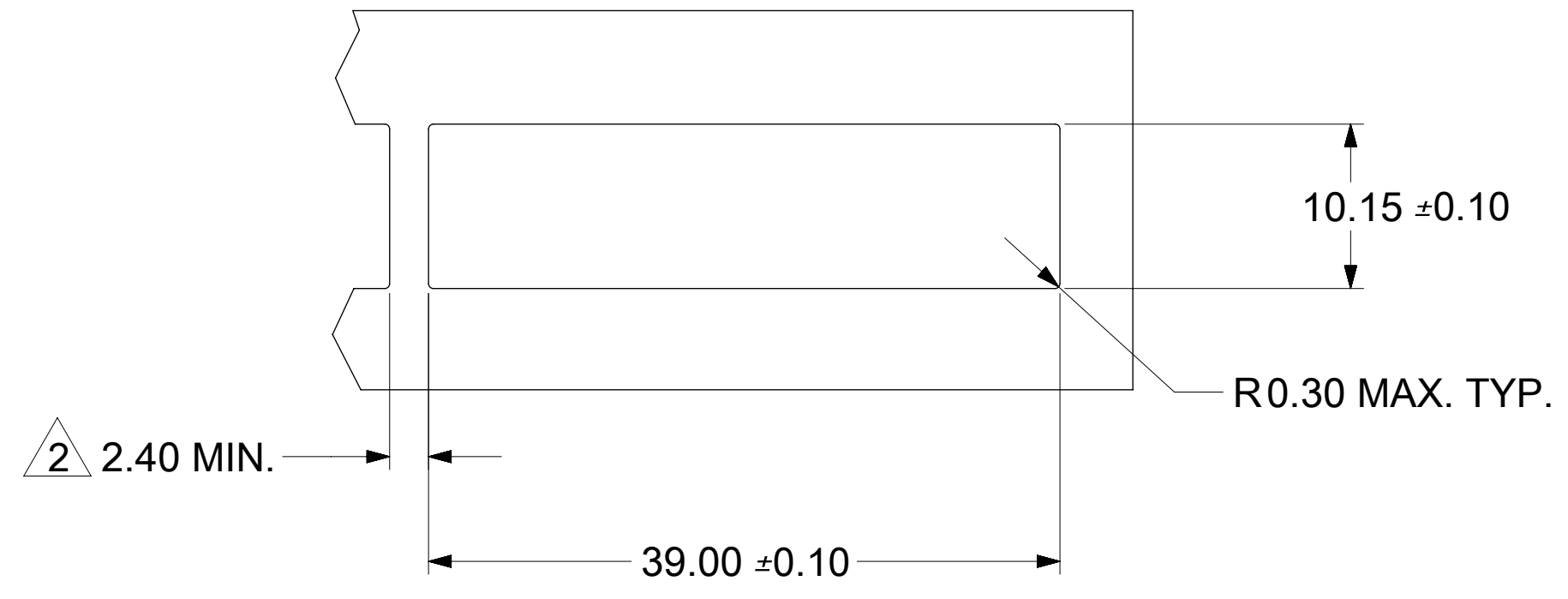
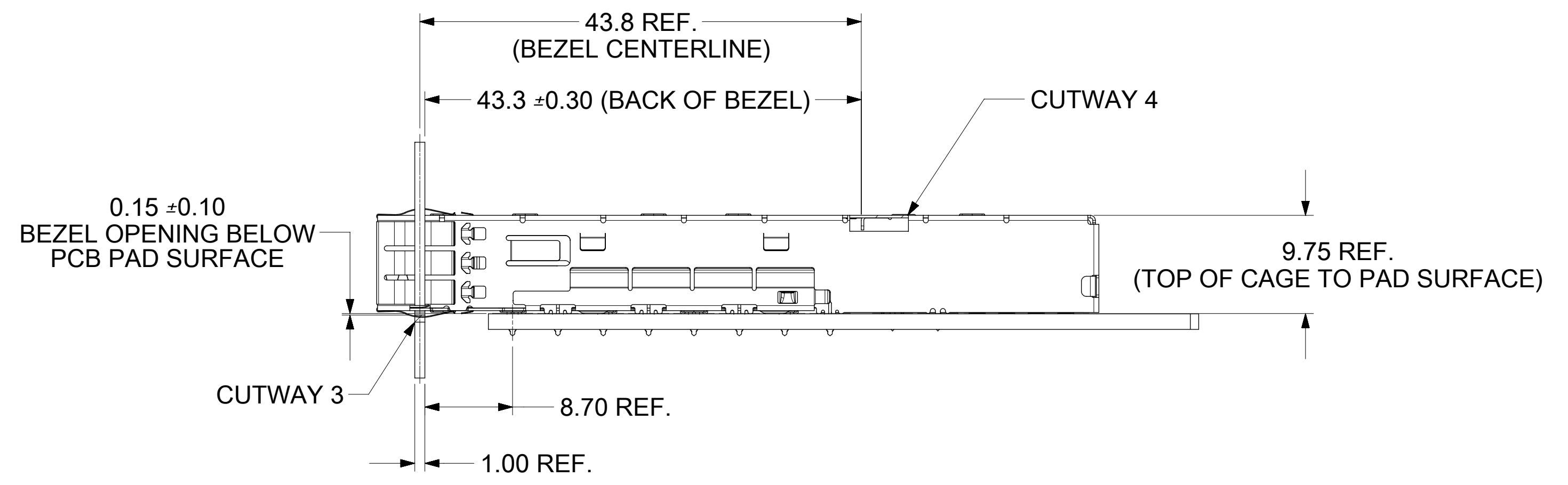
THIS DRAWING CONTAINS INFORMATION THAT IS PROPRIETARY TO MOLEX ELECTRONIC TECHNOLOGIES, LLC AND SHOULD NOT BE USED WITHOUT WRITTEN PERMISSION										
DIMENSION UNITS	SCALE	CURRENT REV DESC: SEE REVISION TABLE								
mm	4:1	 QSFP-DD 1X2 GANGED CAGE ASSY SF WITH FIN H/S OPTIONS PRODUCT CUSTOMER DRAWING								
GENERAL TOLERANCES (UNLESS SPECIFIED)										
ANGULAR TOL	± 2.0°									
4 PLACES	±									
3 PLACES	±									
2 PLACES	± 0.13									
1 PLACE	± 0.25	EC NO: 629406	2019/12/13		DOCUMENT NUMBER			DOC TYPE	DOC PART	REVISION
0 PLACES	±	DRWN: JYEN01	2019/12/20		2031521201			PSD	ASY	D2
DRAFT WHERE APPLICABLE MUST REMAIN WITHIN DIMENSIONS		APPR: JCHIANG	2019/12/20		SEE P/N TABLE			GENERAL MARKET		SHEET NUMBER
THIRD ANGLE PROJECTION		INITIAL REVISION:	2017/07/20		4 OF 7					
DRAWING		DRWN: LLU20	2017/08/15							
SERIES		APPR: RCHEN08								
D-SIZE		203152								

BEZEL AND BOARD POSITION DIMENSIONS FOR BELLY TO BELLY MOUNTING



NOTE:
 1. PCB THICKNESS VARIATION MUST BE CONSIDERED WHEN DETERMINING BEZEL OPENING LOCATION.
 2. THIS DIMENSION IS FOR REFERENCE ONLY. USER CAN MODIFY IT DEPENDS ON APPLICATION. (THIS DIMENSION VARIES BASED ON DISTANCE OF "HOLE OF ADJACENT CAGE" ON PCB LAYOUT.)

BEZEL AND BOARD POSITION DIMENSIONS FOR SINGLE SIDE MOUNTING



THIS DRAWING CONTAINS INFORMATION THAT IS PROPRIETARY TO MOLEX ELECTRONIC TECHNOLOGIES, LLC AND SHOULD NOT BE USED WITHOUT WRITTEN PERMISSION									
DIMENSION UNITS		SCALE		CURRENT REV DESC: SEE REVISION TABLE					
mm		2.5:1							
GENERAL TOLERANCES (UNLESS SPECIFIED)									
ANGULAR TOL				± 2.0°		EC NO: 629406			
4 PLACES				±		DRWN: JYEN01 2019/12/13			
3 PLACES				±		CHK'D: SCHIEN 2019/12/20			
2 PLACES				± 0.13		APPR: JCHIANG 2019/12/20			
1 PLACE				± 0.25		INITIAL REVISION:			
0 PLACES				±		DRWN: LLU20 2017/07/20			
DRAFT WHERE APPLICABLE MUST REMAIN WITHIN DIMENSIONS				THIRD ANGLE PROJECTION		DRAWING		SERIES	
				D-SIZE		203152		MATERIAL NUMBER	
				SEE P/N TABLE		CUSTOMER		SHEET NUMBER	
				GENERAL MARKET		5 OF 7			

molex

QSFP-DD 1X2 GANGED CAGE ASSY
SF WITH FIN H/S OPTIONS

PRODUCT CUSTOMER DRAWING

DOCUMENT NUMBER	DOC TYPE	DOC PART	REVISION
2031521201	PSD	ASY	D2

