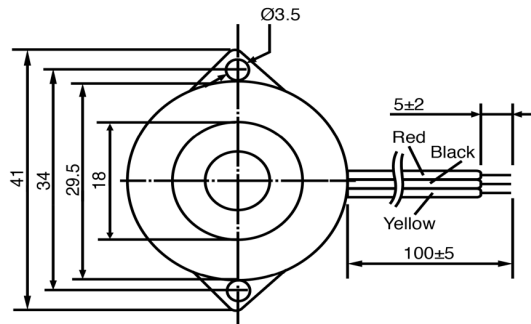
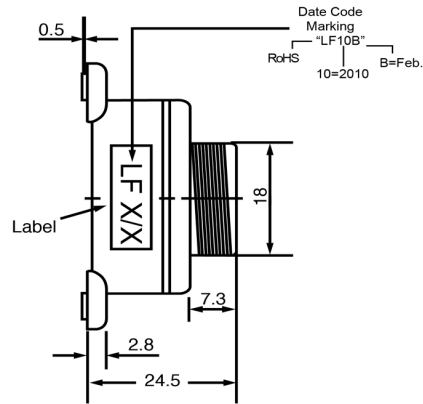


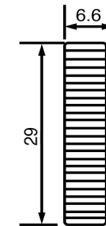
TOP VIEW




SIDE VIEW



NUT



Specifications			Notes	Revision History						
Description	Value	Unit		Version	Description		Date	Approved		
Technology	Piezo		1) All dimensions are in mm unless otherwise noted 2) All parts meet RoHS	1	Released from Engineering		10/21/2013	J.S		
Resonant Frequency	3,200	(Hz)								
Rated Voltage	24	(V)								
SPL @ 10cm	105	(dBA)								
Tone	Dual									
Mount Type	Flange									
Voltage Range	3 ~ 28	(V)								
Max Rated Current	30	(mA)								
Housing Material	ABS									
Operating Temperature	-40 ~ +85	°C								
Storage Temperature	-40 ~ +85	°C								
Weight	15	(g)								
 DB UNLIMITED			Piezo Indicator			IP293224-1				

Additional considerations can be found at www.dbunlimitedco.com/technical-articles.