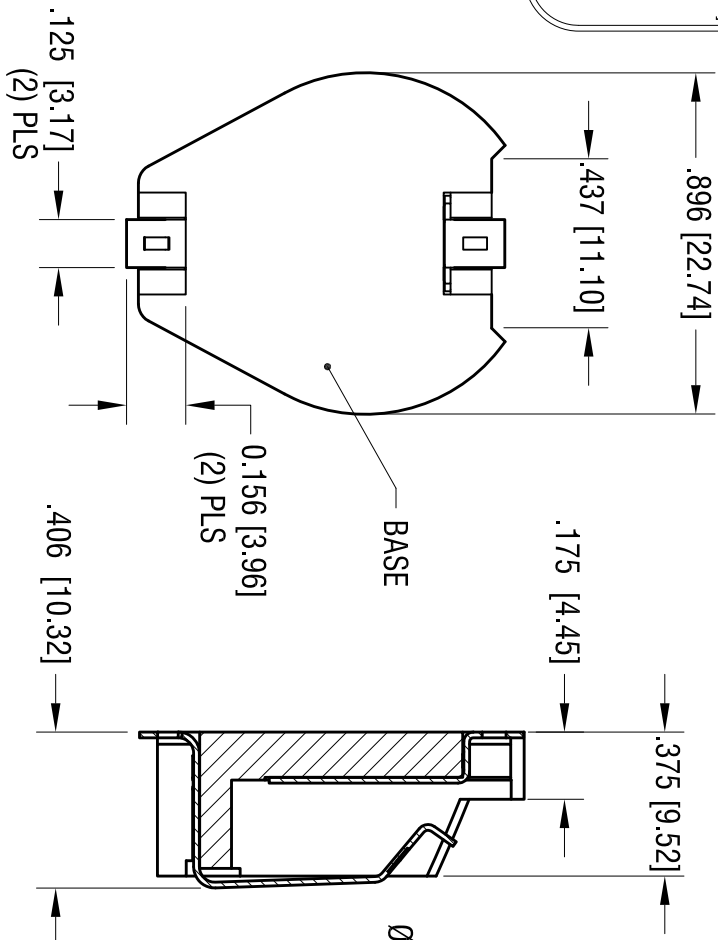
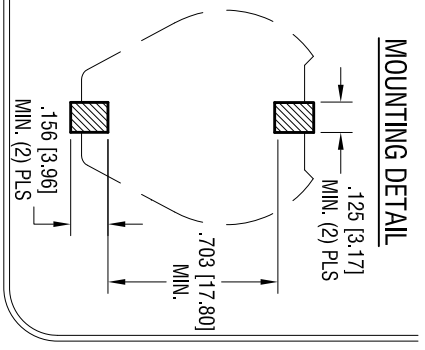
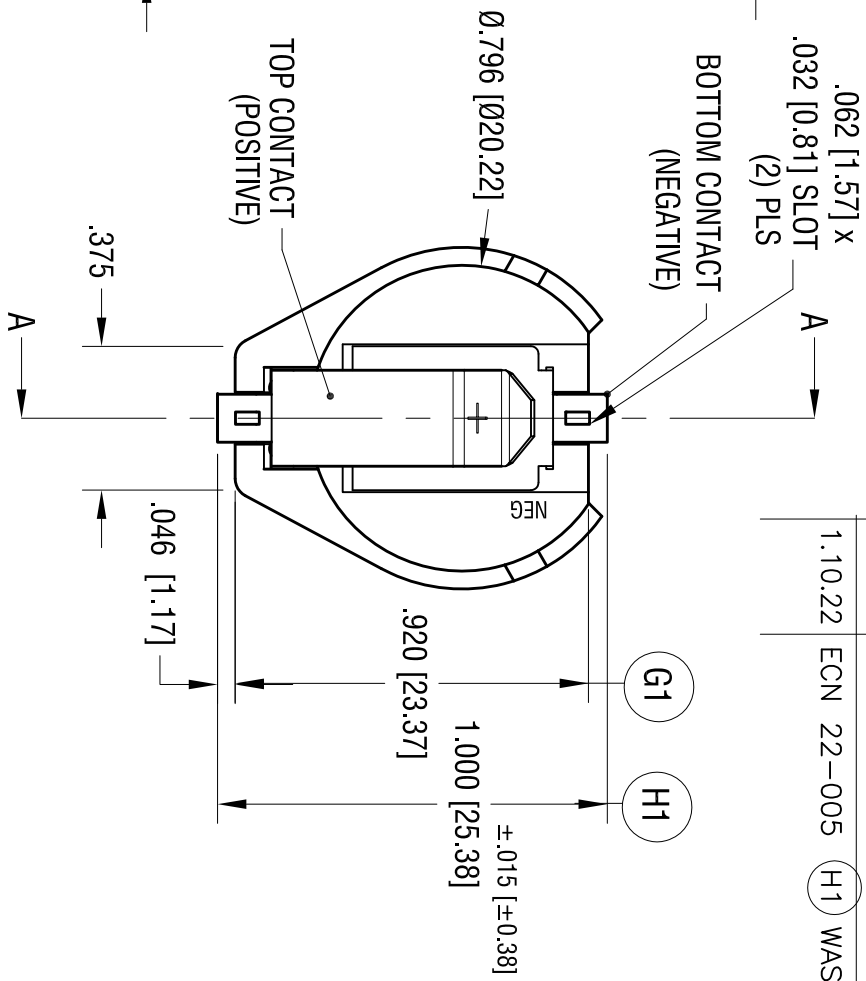


MOUNTING DETAIL

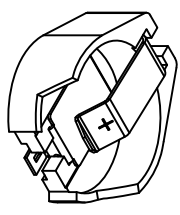


SECTION A-A



DATE	DESCRIPTION	REV.
9.17.04	CHANGE AS PER ECN 04-105	E
11.04.11	CHANGE AS PER ECN 11-148	F
2.17.21	ECN 21-022 (G1) WAS .931	G
1.10.22	ECN 22-005 (H1) WAS 1.015	H

- NOTES:**
1. BASE:
MAT'L - HIGH TEMPERATURE NYLON (UL 94V-0)
 2. CONTACTS (TOP AND BOTTOM):
COLOR BLACK
MAT'L - .015 [0.38] THK SPRING STEEL
FINISH: TIN NICKEL PLATE



ACTUAL SIZE

THIS DOCUMENT IS THE PROPERTY OF KEYSTONE ELECTRONICS CORP. AND SHALL NOT BE REPRODUCED, DISTRIBUTED OR USED AS A BASIS FOR MANUFACTURE WITHOUT PRIOR WRITTEN PERMISSION FROM KEYSTONE ELECTRONICS CORP.

KEYSTONE ELECTRONICS CORP.
 www.keyeico.com • NEW HYDE PARK, NY 11040 • Tel (516) 328-7500

PART NAME
 DUAL 20mm BATTERY HOLDER, SMT

MATERIAL
 AS NOTED

FINISH
 AS NOTED

TOLERANCES	INCH	[MM]	CODE	DWG NO.
DECIMAL	± .010	[± 0.25]	C	1062
ANGULAR	± 1°			

DRN BY NT **DATE** 12.14.92
APP'D RH **SCALE** 2X