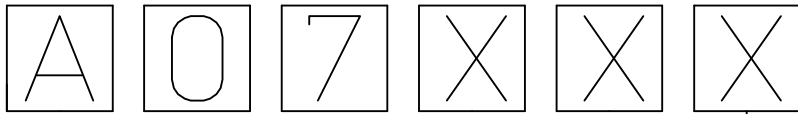


A07 - ADAPTOR FOR DIN A



INTERNAL CIRCUIT

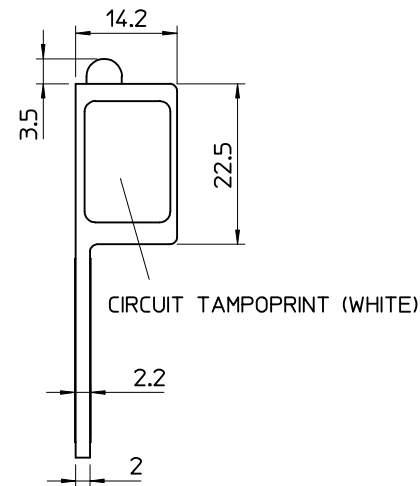
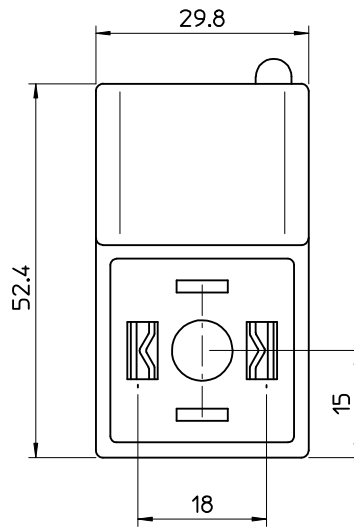
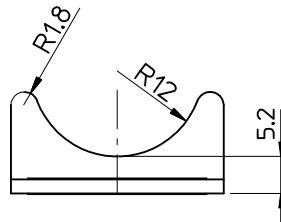
VOLTAGE AND LED COLOUR:

1= 12V	A= 12V	G= 12V
2= 24V	B= 24V	H= 24V
3= 48V	C= 48V	K= 48V
4= 115V	D= 115V	L= 115V
5= 230V	E= 230V	M= 230V

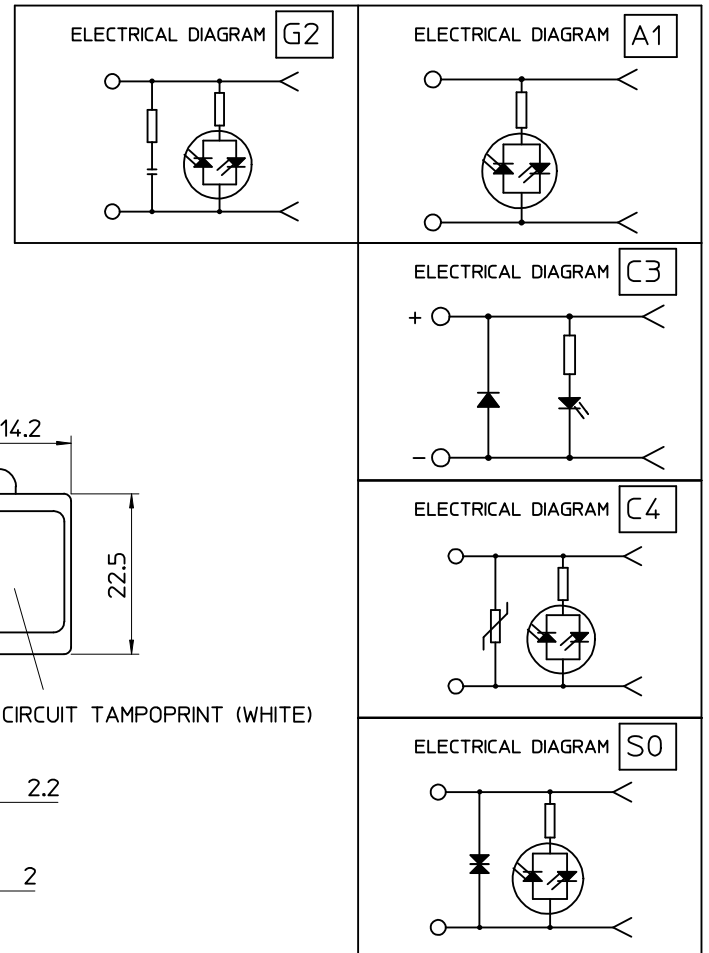
RED LED      GREEN LED      YELLOW LED

Chart 1

Engineering no.	SAP Part Number	Circuit type	LED Color
A07A1H	1210010247	A1 24V	Yellow
A07A1M	1210010249	A1 230V	Yellow
A07C3H	1210010255	C3 24V	Yellow
A07C42	1210010257	C4 24V	Red
A07C43	1210010258	C4 48V	Red
A07C44	1210010259	C4 115V	Red
A07C45	1210010260	C4 230V	Red
A07C4H	1210010262	C4 24V	Yellow
A07C4L	1210010263	C4 115V	Yellow
A07C4M	1210010264	C4 230V	Yellow
A07G22	1210010266	G2 24V	Red
A07G2H	1210010403	G2 24V	Yellow
A07G2L	1210010417	G2 115V	Yellow
A07G2M	1210010270	G2 230V	Yellow
A07S0H	1210010416	S0 24V	Yellow



Wiring configuration



ORIGINAL RELEASE EC NO: IPG2013-1225 DRWN: JMARSZALEK 2013/02/11 CHKD: MSZWAJKOWSKI 2013/02/11 APPR: MIWASIECZKO 2013/02/12	QUALITY SYMBOLS ▽=0 ◻=0	GENERAL TOLERANCES (UNLESS SPECIFIED)		DIMENSION STYLE MM ONLY		SCALE -	DESIGN UNITS METRIC	FIRST ANGLE PROJECTION	
				DRAWN BY DATE JMARSZALEK 2013/02/11		TITLE LIGHTS ADAPTORS SERIES A07XXX FOR DIN A			
				CHECKED BY DATE MSZWAJKOWSKI 2013/02/11		mox DOCUMENT NO. SD-121001-007 SHEET NO. 1 OF 1			
				APPROVED BY DATE MIWASIECZKO 2013/02/12					
ANGULAR ±---°		DRAFT WHERE APPLICABLE MUST REMAIN WITHIN DIMENSIONS		MATERIAL NO.		SEE CHART 1			
REV		SIZE		THIS DRAWING CONTAINS INFORMATION THAT IS PROPRIETARY TO MOLEX INCORPORATED AND SHOULD NOT BE USED WITHOUT WRITTEN PERMISSION					