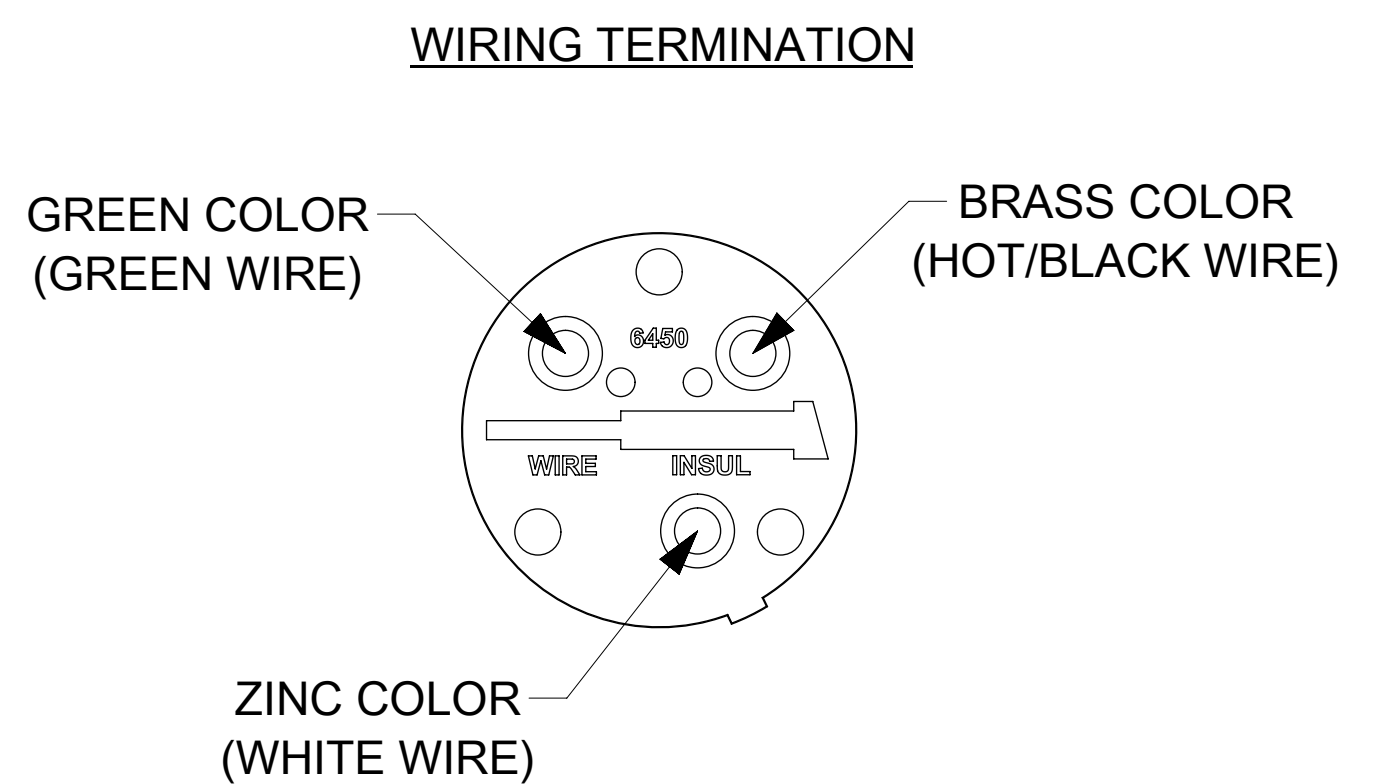
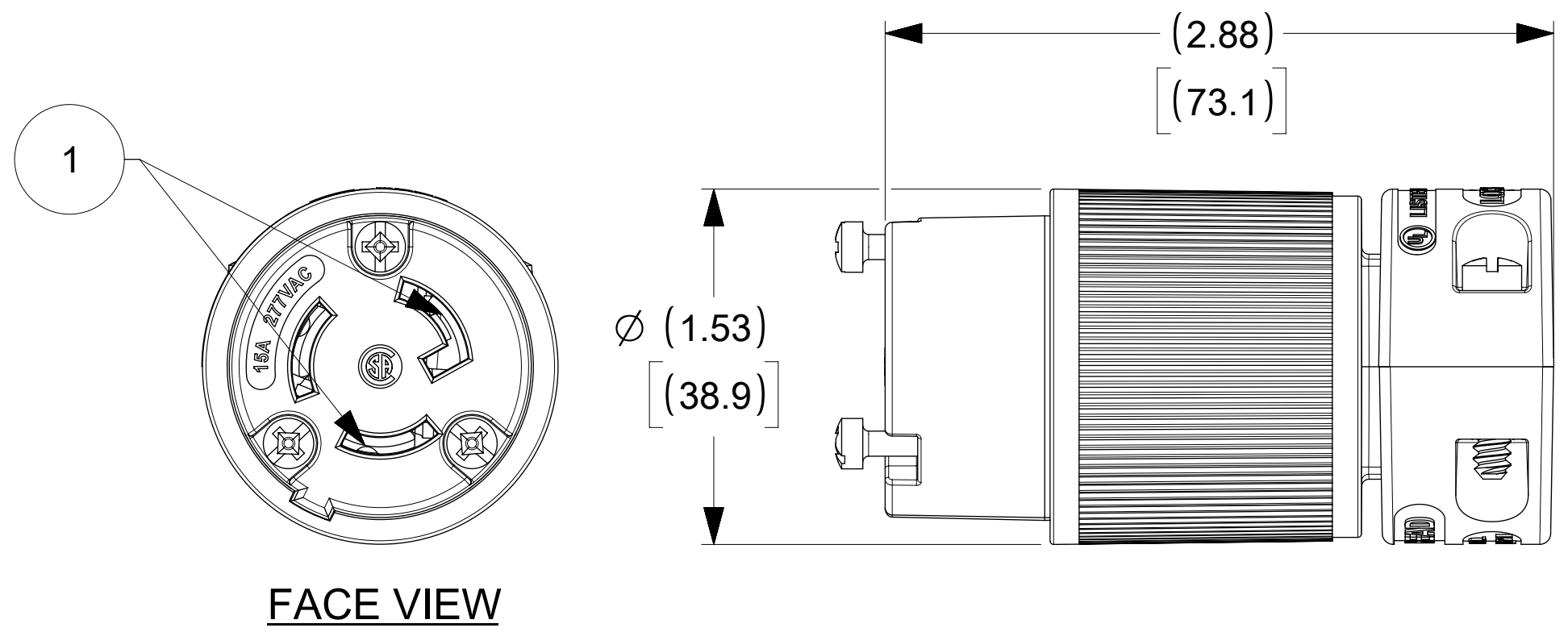
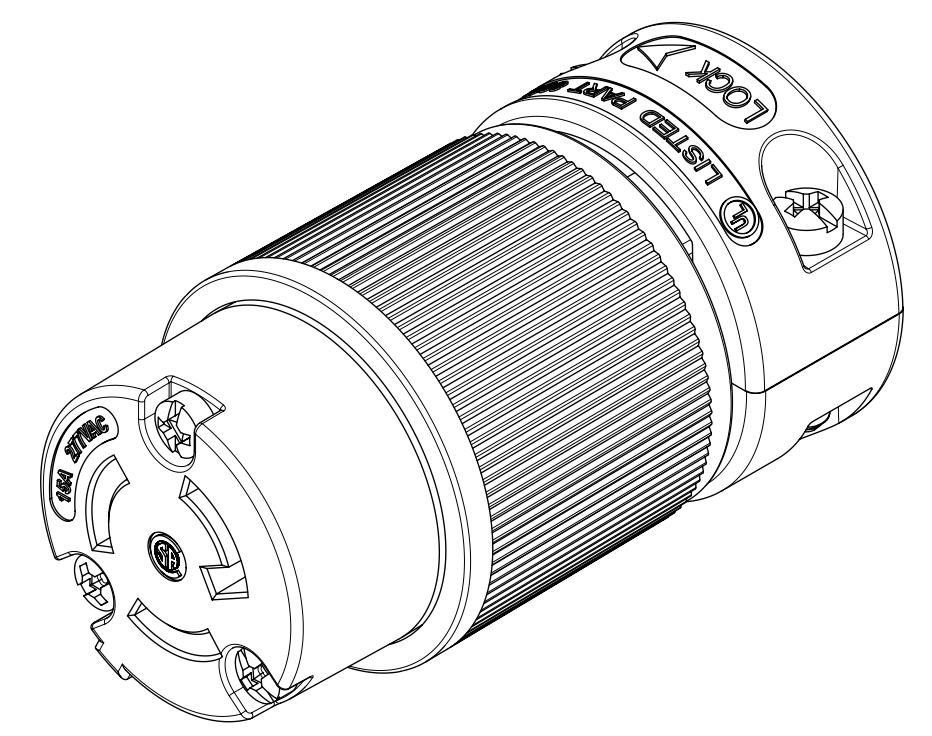
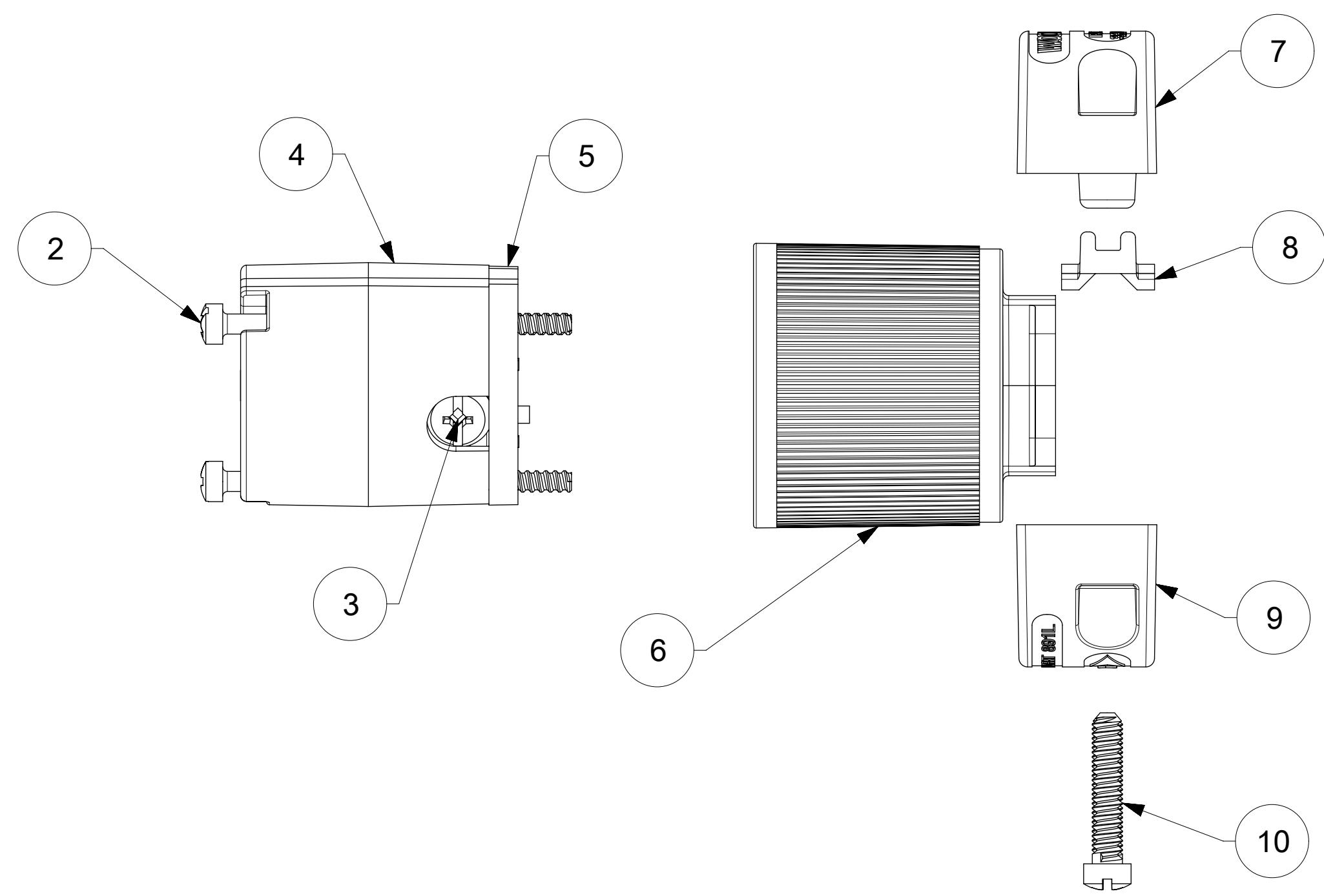


ORDER NO.	WOODHEAD NO.	COLOR
130144-0033	4779	BLACK



ITEM NO.	DESCRIPTIONS	MATERIAL	QTY.
1	BLADES	BRASS, NICKEL PLATED	3
2	RETAINING SCREWS	STAINLESS STEEL	3
3	TERMINAL SCREWS/CLAMP ASSEMBLY	BRASS, ZINC PLATED	3
4	INSERT	NYLON	1
5	TERMINAL COVER	POLYCARBONATE	1
6	HOUSING	NYLON	1
7	CLAMP CORD MALE	NYLON	1
8	CLAMP CORD INSERT	NYLON	1
9	CLAMP CORD FEMALE	NYLON	1
10	RETAINING SCREWS	STEEL, ZINC PLATED	2

PRE-RELEASE
REFERENCE
USE ONLY

SYMBOLS		THIS DRAWING CONTAINS INFORMATION THAT IS PROPRIETARY TO MOLEX ELECTRONIC TECHNOLOGIES, LLC AND SHOULD NOT BE USED WITHOUT WRITTEN PERMISSION		CURRENT REV DESC: NEW RELEASE	
▽ = 0	INCH[MM]	SCALE	NTS		
▽ = 0	GENERAL TOLERANCES (UNLESS SPECIFIED)		EC NO: 621778		
▽ = 0		MM	INCH	DRWN: VBASUTHKARP 2019/04/04	
▽ = 0	4 PLACES	±	±	CHK'D: DNGUYEN62 2019/12/02	
▽ = 0	3 PLACES	±	±	APPR:	
▽ = 0	2 PLACES	±	±	INITIAL REVISION:	
▽ = 0	1 PLACE	±	±	DRWN: VBASUTHKARP 2019/04/04	
▽ = 0	0 PLACES	±	±	APPR:	
▽ = 0	ANGULAR TOL	±	°	THIRD ANGLE PROJECTION	
▽ = 0	DRAFT WHERE APPLICABLE MUST REMAIN WITHIN DIMENSIONS		DRAWING		SERIES
				C-SIZE	130144
DOCUMENT STATUS		RV	RELEASE DATE	MATERIAL NUMBER	
				SEE TABLE	
				CUSTOMER	
				GENERAL MARKET	
				SHEET NUMBER	
				1 OF 1	