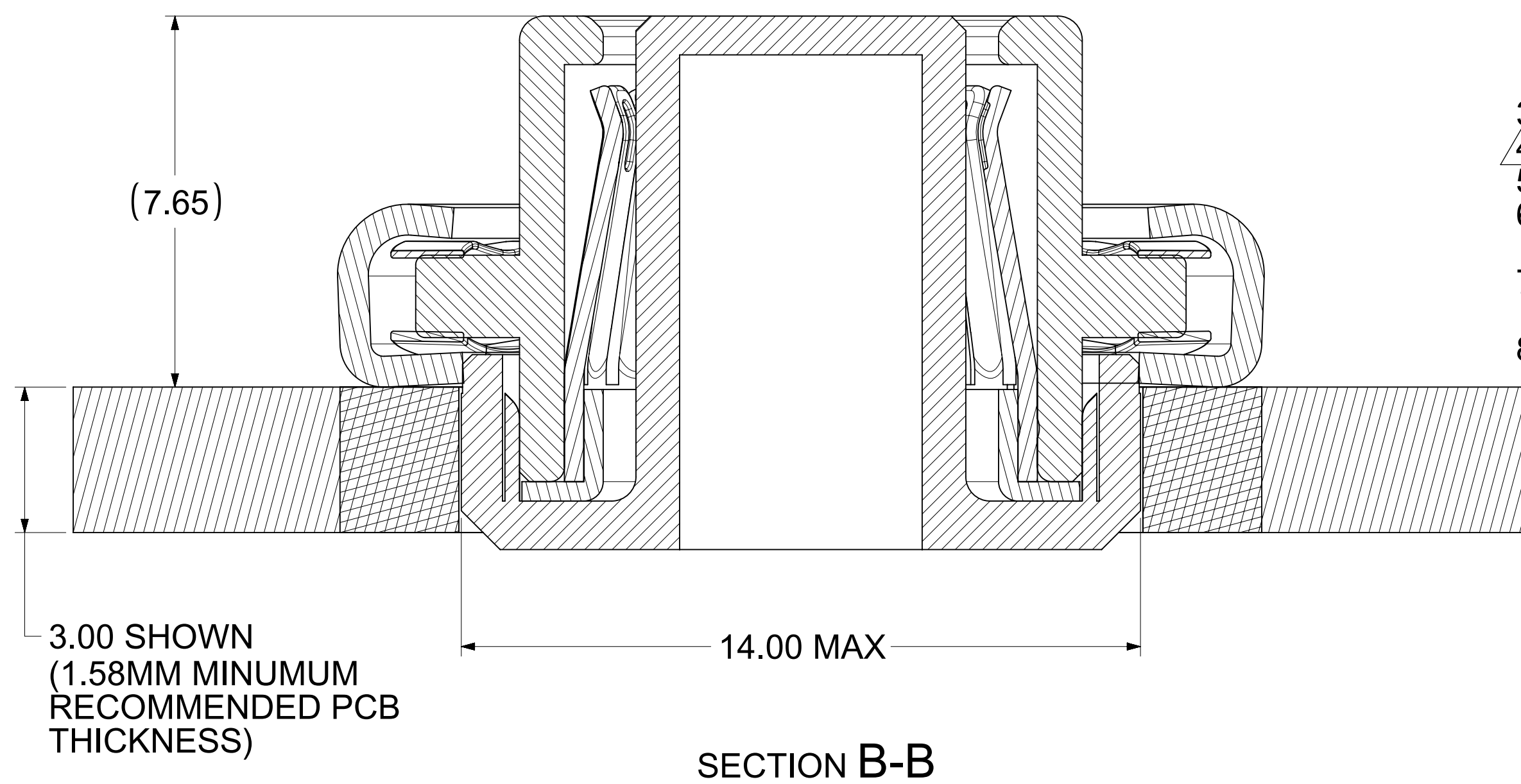
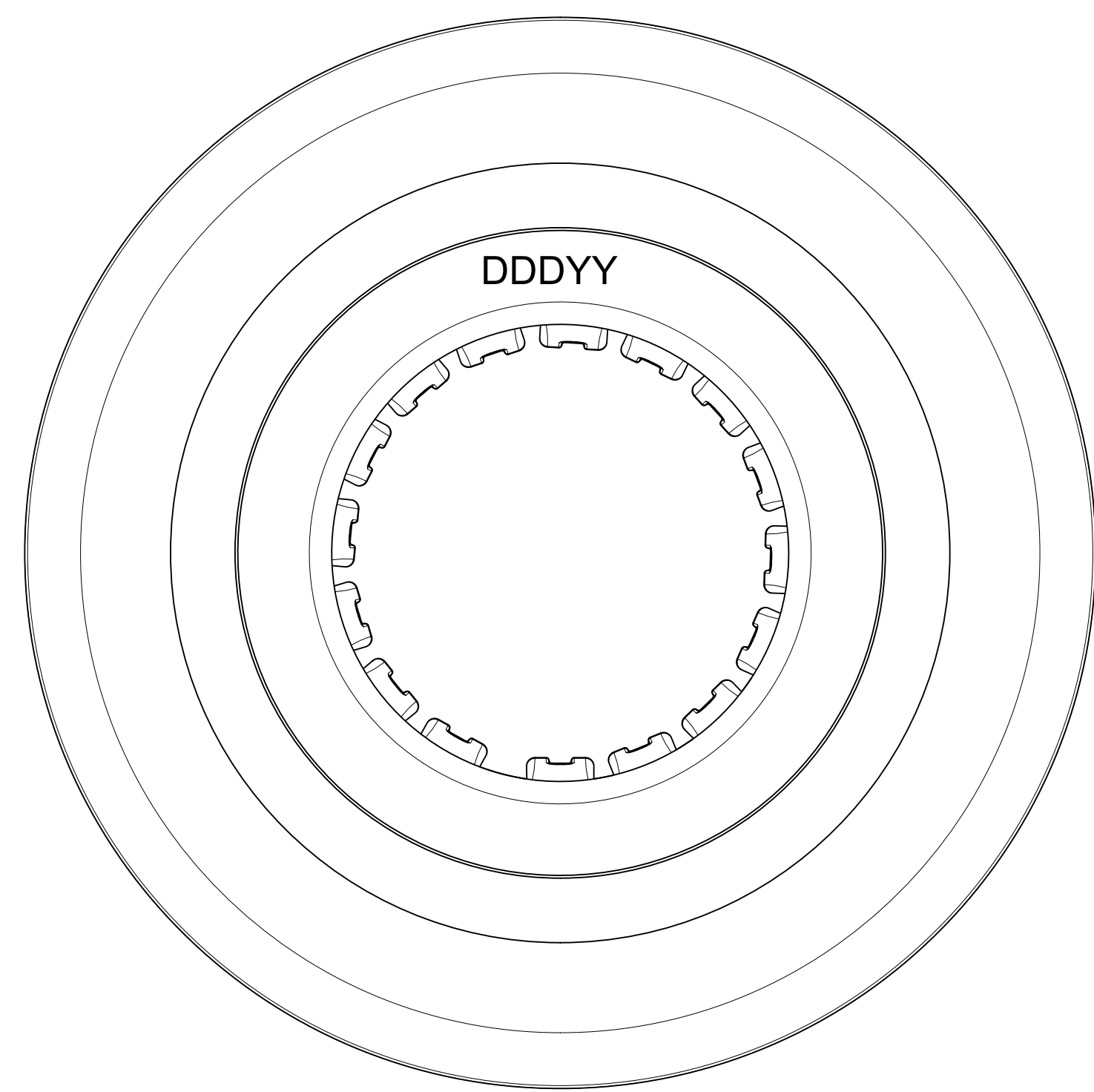
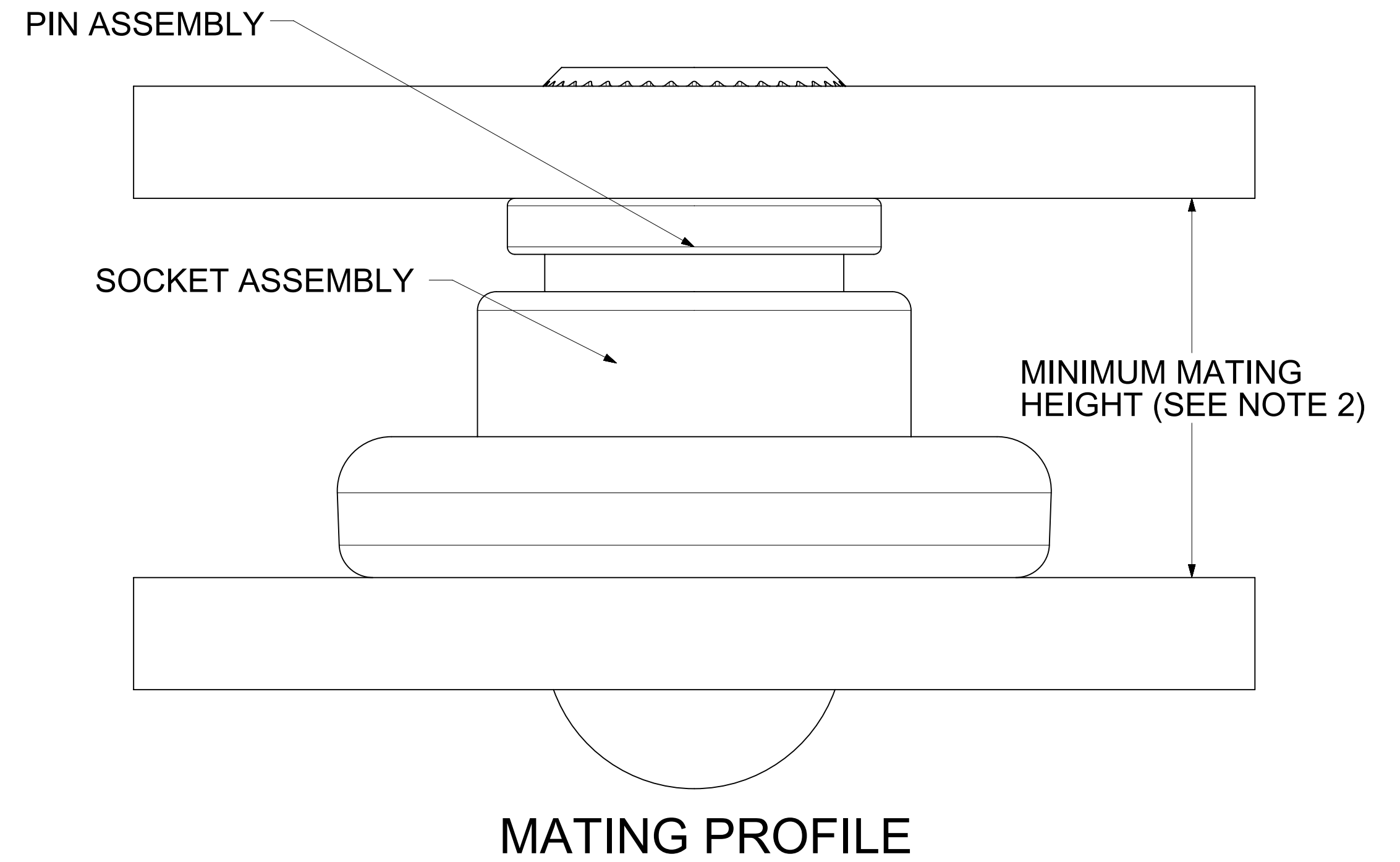
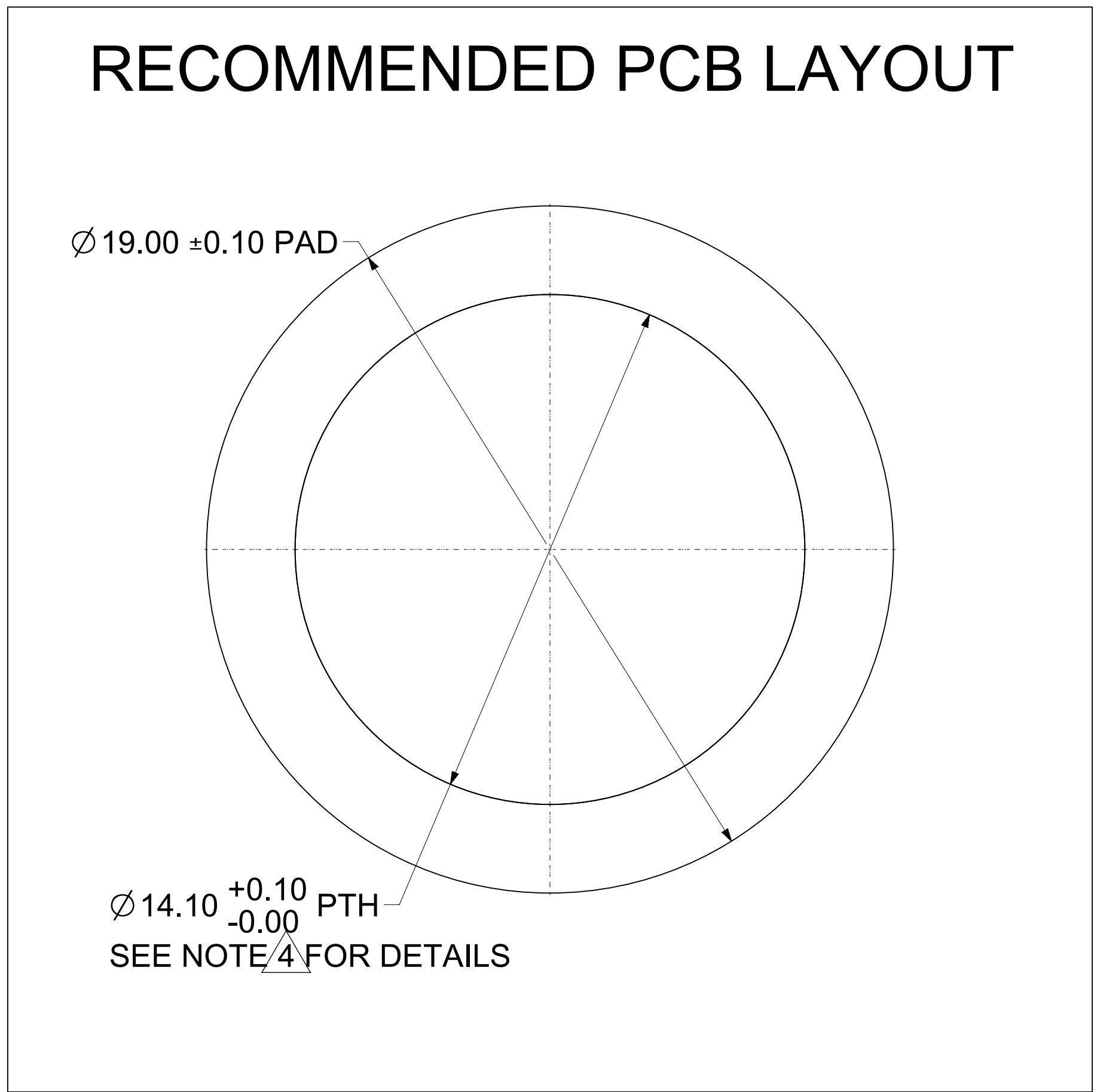
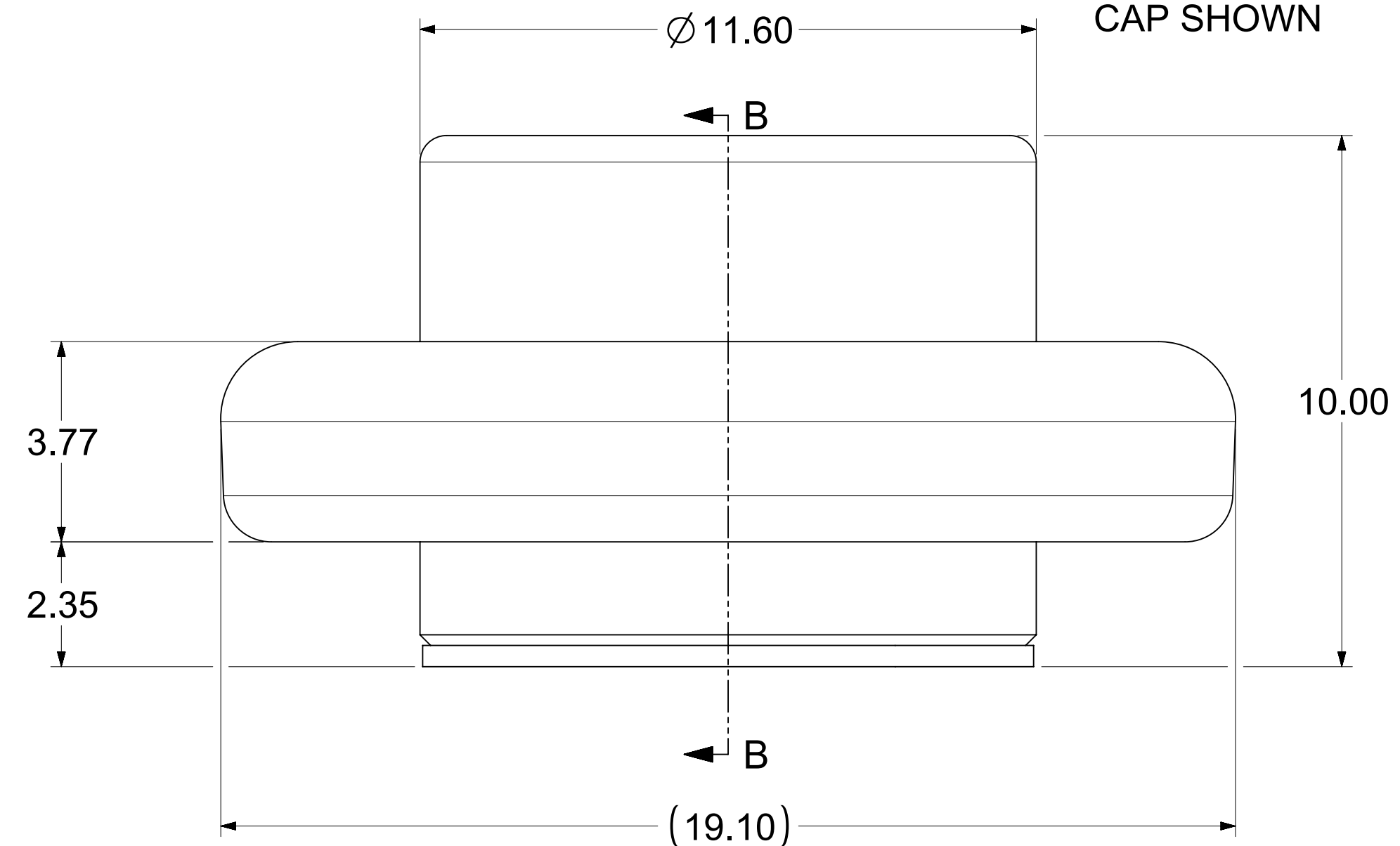


REMOVABLE
PICK AND PLACE
CAP SHOWN



NOTES:

1. MATERIALS:
 RETENTION CAP: STAINLESS STEEL
 PICK AND PLACE CAP: LCP UL94, V-0 COLOR BLACK
 BASE METAL: HIGH CONDUCTIVE COPPER ALLOY
 PLATING ON CONTACTS: 0.75 MICRON MIN GOLD OVER 1.27 MICRON MIN NICKEL
 PLATING ON BODY: 3.18 MICRON MIN SILVER OVER 1.27 MICRON MIN NICKEL
2. MATES WITH THE STANDARD PIN DRAWINGS:
 - i. 8.0MM SMT DRAWING 2032633080-SD, MIN. MATING DISTANCE 9.8MM
 - ii. 8.0MM PRESS FIT DRAWING 2032630001-SD, MIN. MATING DISTANCE 10.15MM
 - iii. 8.0MM SCREW MOUNT DRAWING 2032634185-SD, MIN. MATING DISTANCE 13.15MM
3. PRODUCT SPECIFICATION: 2043130001-PS
4. APPLICATION SPECIFICATION: 2043130001-AS
5. PACKAGING SPECIFICATION: 2043650010-PK
6. SILVER COMPONENTS WILL BE SUPPLIED TARNISH FREE BUT MAY TARNISH OVER TIME.
7. PICK AND PLACE CAP TO BE REMOVED AFTER SOLDERING. CAP TO BE PUSHED OUT OF BOTTOM FROM THE TOP.
8. DATE CODE TO BE LASER MARKED APPROXIMATELY WHERE SHOWN USING DDDYY FORMAT

THIS DRAWING CONTAINS INFORMATION THAT IS PROPRIETARY TO MOLEX ELECTRONIC TECHNOLOGIES, LLC AND SHOULD NOT BE USED WITHOUT WRITTEN PERMISSION

DIMENSION UNITS	SCALE	CURRENT REV DESC: UPDATED THE TITLE BLOCK			<h1 style="margin: 0;">molex</h1>				
mm	5:1								
GENERAL TOLERANCES (UNLESS SPECIFIED)		EC NO: 747243			8.0MM SENTRALITY TOP ENTRY SMT SOCKET WITH FLOAT IN TRAY				
ANGULAR TOL	± 0.5°	DRWN: SACHIK7 2023/02/28							
4 PLACES	±	CHK'D: SCS02 2023/04/25			PRODUCT CUSTOMER DRAWING				
3 PLACES	±	APPR: HTHYAGARAJ 2023/04/26			DOCUMENT NUMBER DOC TYPE DOC PART REVISION				
2 PLACES	± 0.15	INITIAL REVISION:			2043650012-SD PSD 000 B3				
1 PLACE	± 0.25	DRWN: RLOW 2019/05/08			MATERIAL NUMBER CUSTOMER				
0 PLACES	±	APPR: JJONIAK 2019/07/26			2043650012 GENERAL MARKET				
DRAFT WHERE APPLICABLE MUST REMAIN WITHIN DIMENSIONS		THIRD ANGLE PROJECTION		DRAWING		SERIES		SHEET NUMBER	
		D-SIZE		204365		1 OF 1			