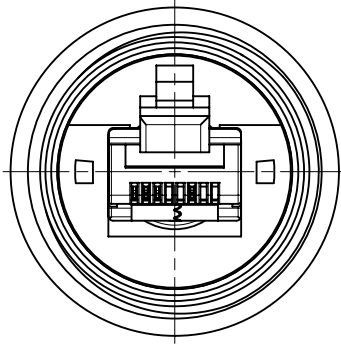
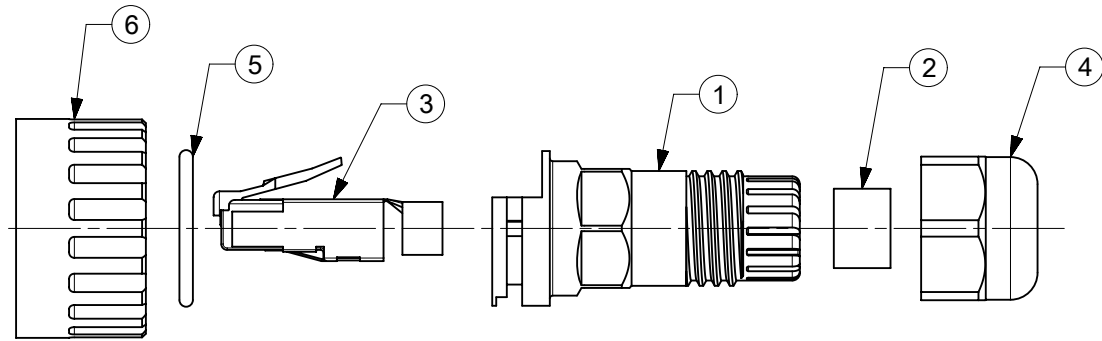
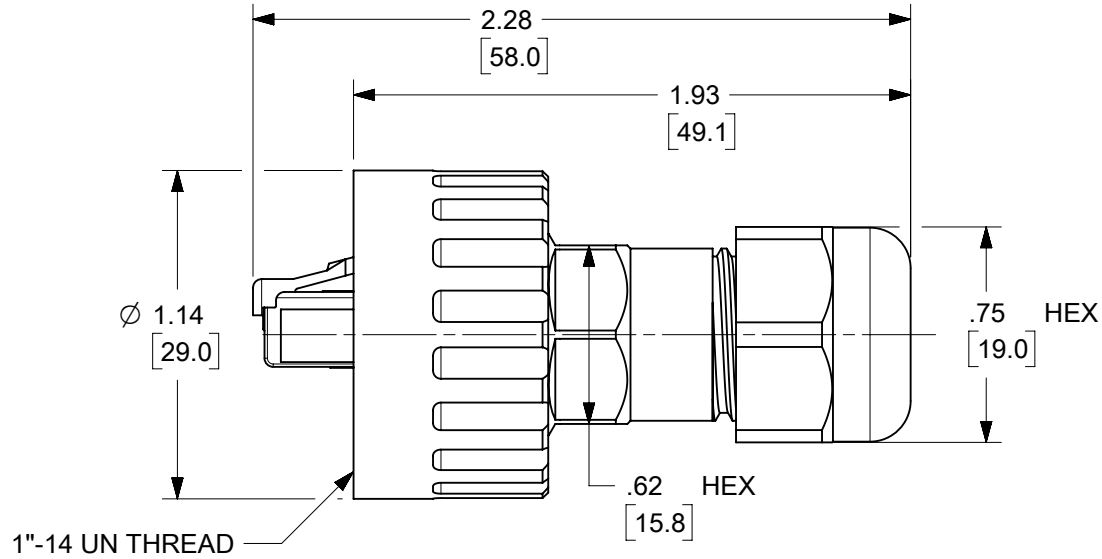


MATERIAL NO.	ENGINEERING NO.
1300570001	ENQAM315



FACE VIEW



- NOTES:
1. ELECTRICAL:
VOLTAGE; 30V
CURRENT: 1.5A
 2. TEMP RATING: -20°TO +80°C
 3. PROTECTION: IP67 (WHEN MATED)
 4. ALL DIMS ARE FOR REFERENCE UNLESS TOLERANCED OR NOTED OTHERWISE

6	MATING COUPLER	ABS	BLACK
5	MATING O-RING	VITON	BROWN
4	COMPRESSION NUT	NYLON	BLACK
3	RJ45-PLUG 8 POSITION	POLYCARBONATE	CLEAR
2	CABLE GROMMET	CR/NBR	BLACK
1	RJ LNXX ATTACHABLE BODY	ABS	BLACK
ITEM	DESCRIPTION	MATERIAL	FINISH

DOCUMENT STATUS	P1	RELEASE DATE	2021/04/27	23:49:36
-----------------	----	--------------	------------	----------

THIS DRAWING CONTAINS INFORMATION THAT IS PROPRIETARY TO MOLEX ELECTRONIC TECHNOLOGIES, LLC AND SHOULD NOT BE USED WITHOUT WRITTEN PERMISSION				
$\frac{F}{A} = 0$ $\frac{E}{E} = 0$ $\frac{F}{P} = 0$	DIMENSION UNITS INCH/MM	SCALE 2:1	CURRENT REV DESC: UPDATE TO LATEST DOC STANDARD, ADD SOLID CABLE OPTION	
GENERAL TOLERANCES (UNLESS SPECIFIED) ANGULAR TOL ± °			molex RJ-LNXX ATTACHABLE FOR STRANDED AND SOLID CABLE	
4 PLACES ± 3 PLACES ± 2 PLACES ± 1 PLACE ± 0 PLACES ±			EC NO: 661647 DRWN: MZIELINSKI 2021/04/23 CHK'D: RSTONE 2021/04/26 APPR: BWOODMAN 2021/04/27	
DRAFT WHERE APPLICABLE MUST REMAIN WITHIN DIMENSIONS			PRODUCT CUSTOMER DRAWING DOCUMENT NUMBER: 1300570001 DOC TYPE: PSD DOC PART: 000 REVISION: A	
THIRD ANGLE PROJECTION		DRAWING A-SIZE	SERIES 130057	MATERIAL NUMBER 1300570001
			CUSTOMER GENERAL MARKET	SHEET NUMBER 1 OF 1