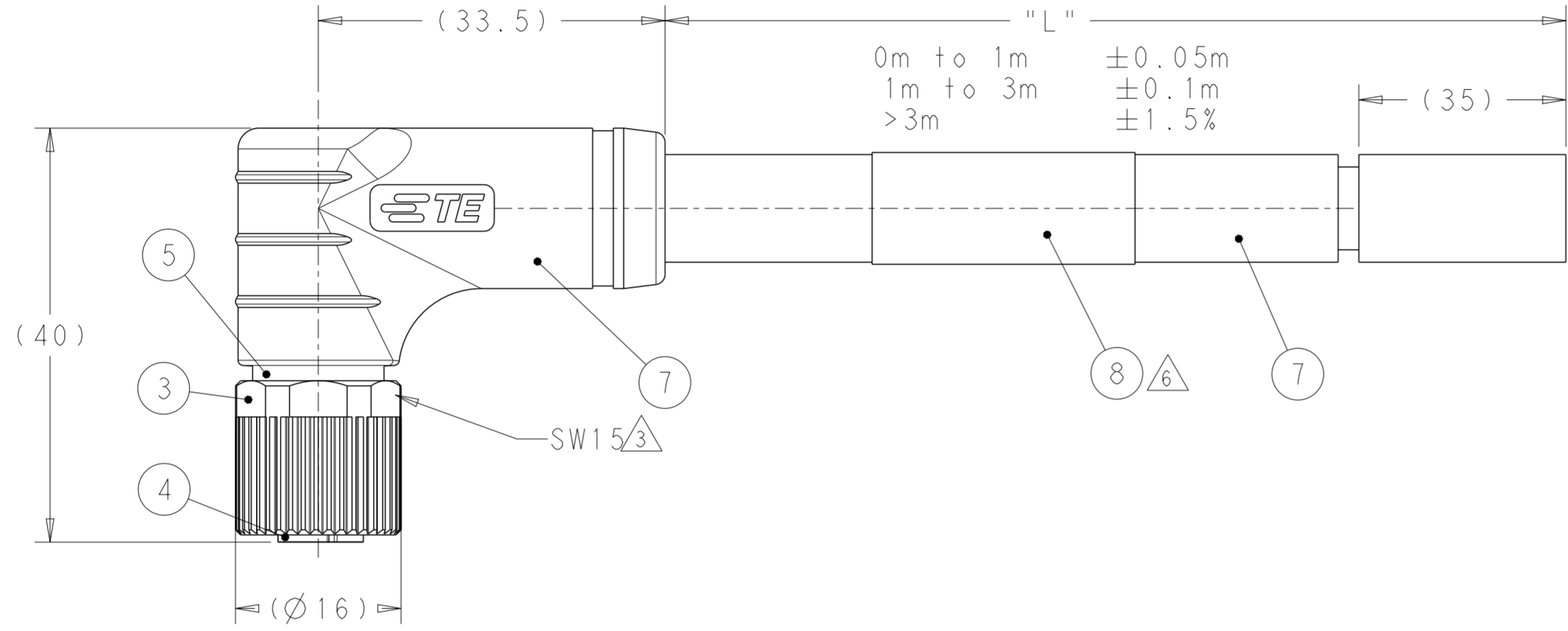


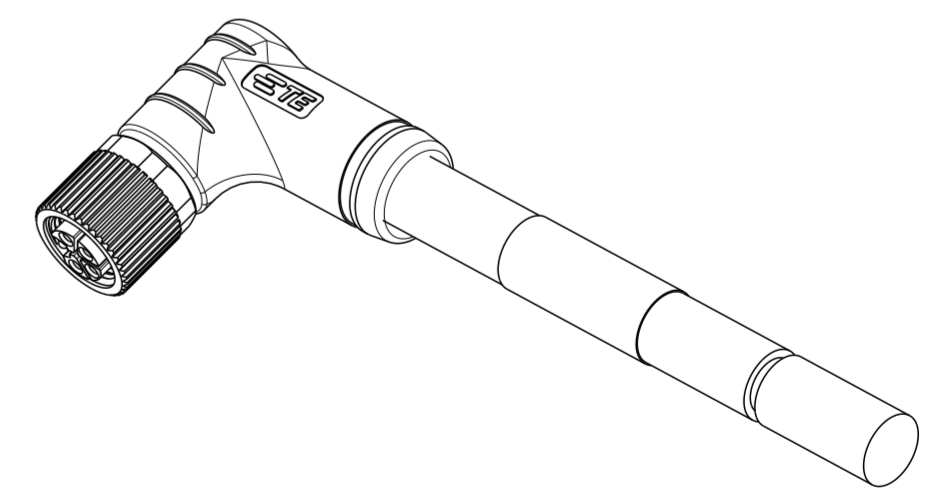
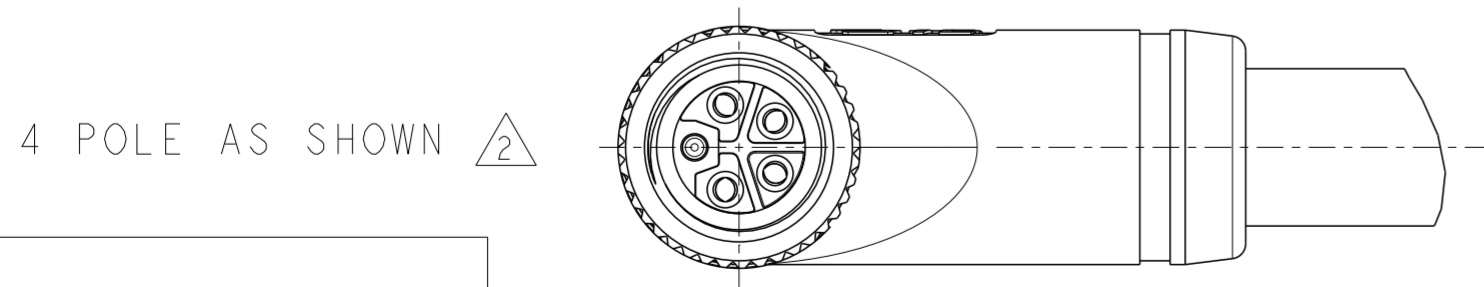
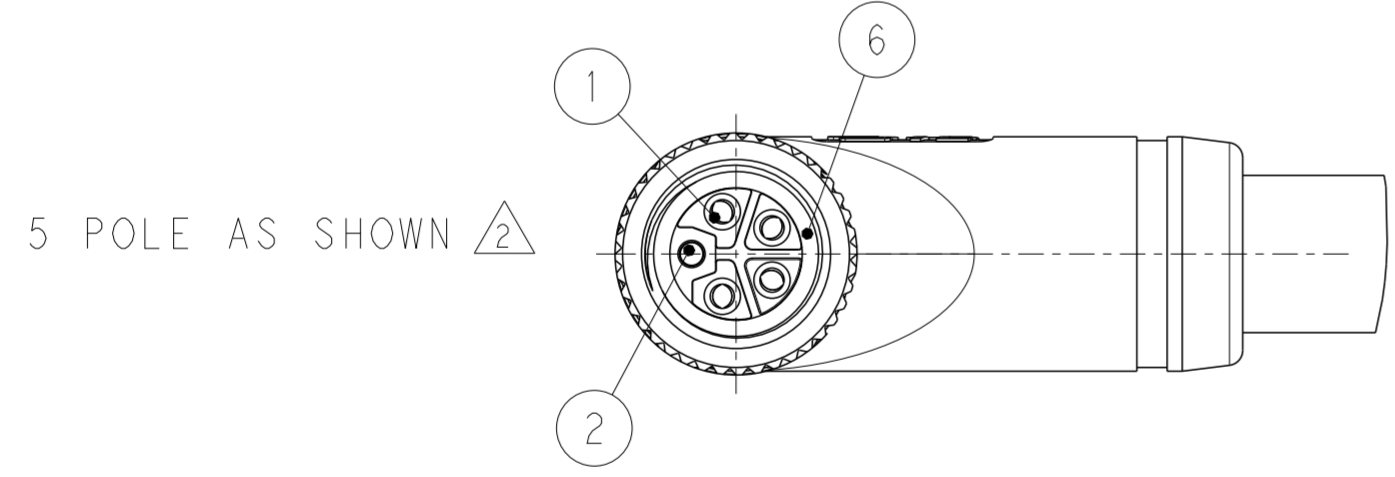
THIS DRAWING IS UNPUBLISHED. RELEASED FOR PUBLICATION  
 © COPYRIGHT copyright.d8te- ALL RIGHTS RESERVED.

ITEM	DESCRIPTION	MATERIAL	OTHERS
1	FEMALE CONTACT	BRONZE	GOLD PLATED
2	FE MALE CONTACT	BRASS	GOLD PLATED
3	FEMALE NUT	BRASS	NICKEL PLATED
4	FEMALE HOUSING	PA	BLACK 4P GRAY 5P
5	METAL SHELL	BRASS	NICKEL PLATED
6	O-RING	SILICONE RUBBER	GRAY
7	CONNECTOR GRIP	TPU	BLACK
8	CABLE	PVC/PUR JACKET	BLACK OR GRAY
9	LABEL	-	-

REVISIONS				
P	LTR	DESCRIPTION	DATE	APVD
A		NEW RELEASE	01FEB2021	AZ CW
A1		ECR-22-161508	28DEC2022	G.W C.W



NOTE:  
 1. TECHNICAL DATA SEE TABLE 1  
 2. CODE POSITION INDICATOR  
 3. RECOMMENDED TORQUE 0.6 Nm  
 4. -\*\*:CABLE LENGTH, FOR EXAMPLE: -0.5M  
 5. CABLE ASSEMBLY TO BE PACKAGED IN POLYBAGS  
 6. LABEL CONTAINS: PN, DATE CODE...



SCALE 1:1

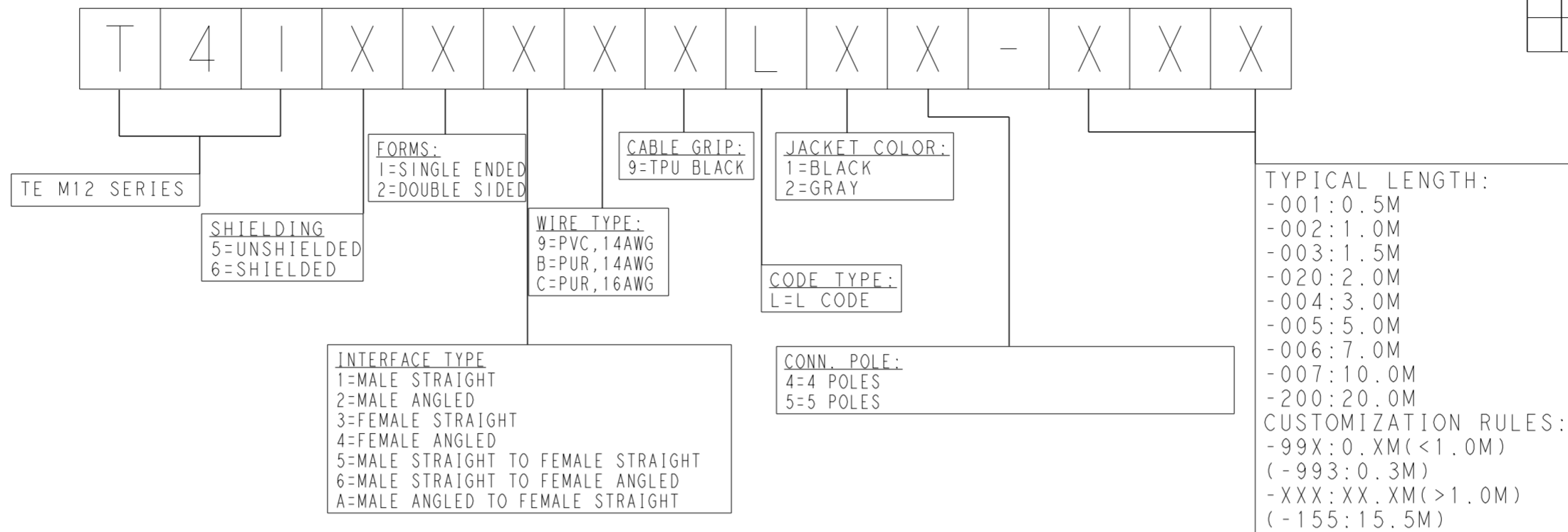
TABLE 1

TECHNICAL DATA	
RATED VOLTAGE	63V
RATED IMPULSE VOLTAGE	1500V
RATED CURRENT	16A/14AWG 12A/16AWG
POLLUTION DEGREE	3
OVERVOLTAGE CATEGORY	III
DEGREE OF PROTECTION	IP67

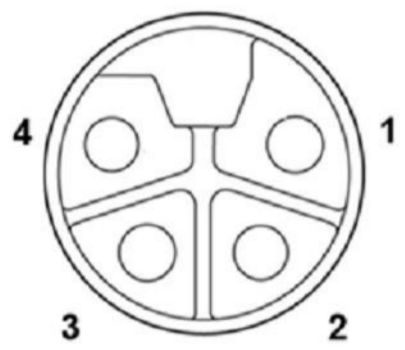
THIS DRAWING IS A CONTROLLED DOCUMENT.		DWN 04NOV2020 ALEX ZHANG	TE Connectivity	
DIMENSIONS: mm		CHK 04NOV2020 HART HE		
TOLERANCES UNLESS OTHERWISE SPECIFIED:		APVD 04NOV2020 CHRIS WANG	NAME M12 L CODE CORDSETS FEMALE ANGLED	
0 PLC ±1		PRODUCT SPEC 108-137350	SIZE A2	
1 PLC ±0.5		APPLICATION SPEC 114-137144	CAGE CODE -	DRAWING NO C-T41X14XXLXXXX
2 PLC ±0.30		WEIGHT -	RESTRICTED TO -	
3 PLC ±		CUSTOMER DRAWING	SCALE 2:1	SHEET 1 OF 2
4 PLC ±				REV A1
ANGLES ±				
FINISH -				

REVISIONS				
P	LTR	DESCRIPTION	DATE	DWN
		SEE SHEET 1		

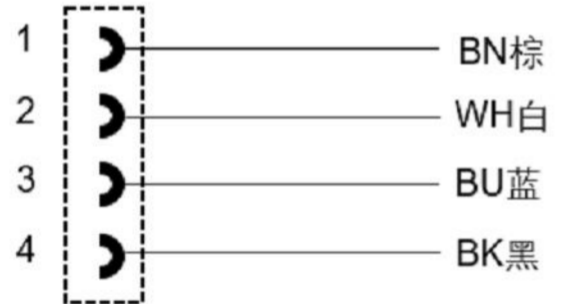
### TE PN CODING:



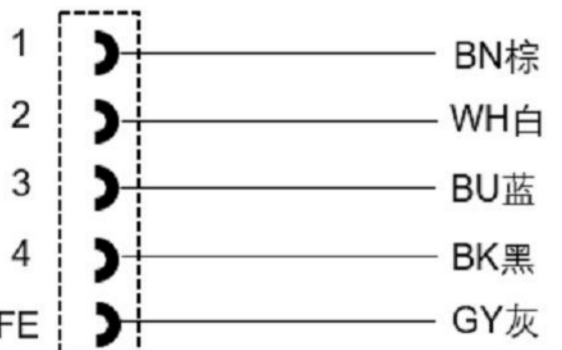
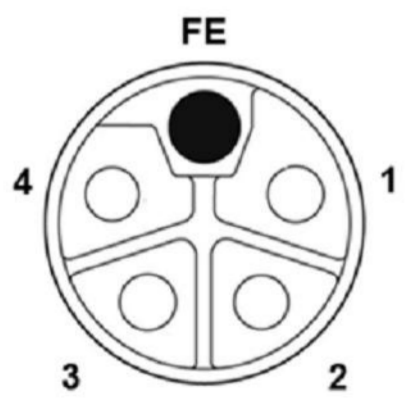
CIRCUIT DIAGRAM  
L CODE



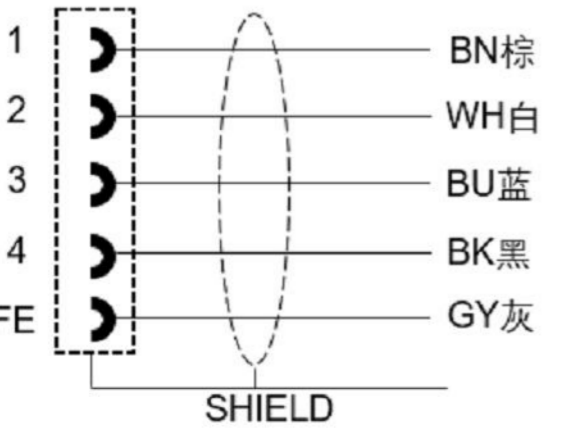
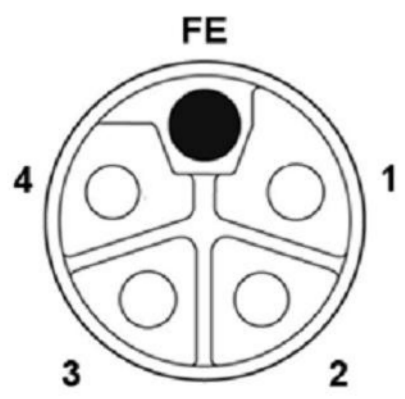
CIRCUIT DIAGRAM UNSHIELDED 4P  
FEMALE



CIRCUIT DIAGRAM UNSHIELDED 5P  
FEMALE



CIRCUIT DIAGRAM SHIELDED 5P  
FEMALE



WIRES: 5X14AWG JACKET: PUR BLACK WIRE COLOR: BROWN/WHITE/BLUE/BLACK/GRAY OD: APPROX. 10.40mm TEMPERATURE RATING: 80°C UL TEMP RATING: -50°C TO +80°C FIXED -30°C TO +80°C MOVED SUITABLE FOR DRAG CHAIN APPLICATIONS	TYPICAL LENGTH: -001: 0.5M -002: 1.0M -003: 1.5M -020: 2.0M -004: 3.0M -005: 5.0M -006: 7.0M -007: 10.0M -200: 20.0M CUSTOMIZATION RULES: -99X: 0.XM(<1.0M) (-993: 0.3M) -XXX: XX.XM(>1.0M) (-155: 15.5M)
WIRES: 5X14AWG JACKET: PUR GRAY WIRE COLOR: BROWN/WHITE/BLUE/BLACK/GRAY OD: APPROX. 10.40mm TEMPERATURE RATING: 80°C UL TEMP RATING: -50°C TO +80°C FIXED -30°C TO +80°C MOVED SUITABLE FOR DRAG CHAIN APPLICATIONS	TYPICAL LENGTH: -001: 0.5M -002: 1.0M -003: 1.5M -020: 2.0M -004: 3.0M -005: 5.0M -006: 7.0M -007: 10.0M -200: 20.0M CUSTOMIZATION RULES: -99X: 0.XM(<1.0M) (-993: 0.3M) -XXX: XX.XM(>1.0M) (-155: 15.5M)
WIRES: 5X16AWG JACKET: PUR GRAY WIRE COLOR: BROWN/WHITE/BLUE/BLACK/GRAY OD: APPROX. 9.10mm TEMPERATURE RATING: 80°C UL TEMP RATING: -50°C TO +80°C FIXED -30°C TO +80°C MOVED SUITABLE FOR DRAG CHAIN APPLICATIONS	TYPICAL LENGTH: -001: 0.5M -002: 1.0M -003: 1.5M -020: 2.0M -004: 3.0M -005: 5.0M -006: 7.0M -007: 10.0M -200: 20.0M CUSTOMIZATION RULES: -99X: 0.XM(<1.0M) (-993: 0.3M) -XXX: XX.XM(>1.0M) (-155: 15.5M)
WIRES: 5X14AWG JACKET: PUR GRAY WIRE COLOR: BROWN/WHITE/BLUE/BLACK/GRAY OD: APPROX. 9.65mm TEMPERATURE RATING: 80°C UL TEMP RATING: -50°C TO +80°C FIXED -30°C TO +80°C MOVED SUITABLE FOR DRAG CHAIN APPLICATIONS	TYPICAL LENGTH: -001: 0.5M -002: 1.0M -003: 1.5M -020: 2.0M -004: 3.0M -005: 5.0M -006: 7.0M -007: 10.0M -200: 20.0M CUSTOMIZATION RULES: -99X: 0.XM(<1.0M) (-993: 0.3M) -XXX: XX.XM(>1.0M) (-155: 15.5M)
WIRES: 5X14AWG JACKET: PVC GRAY WIRE COLOR: BROWN/WHITE/BLUE/BLACK/GRAY OD: APPROX. 10.1mm TEMPERATURE RATING: 80°C UL TEMP RATING: -50°C TO +80°C FIXED -40°C TO +80°C MOVED -20°C TO +80°C MOVED	TYPICAL LENGTH: -001: 0.5M -002: 1.0M -003: 1.5M -020: 2.0M -004: 3.0M -005: 5.0M -006: 7.0M -007: 10.0M -200: 20.0M CUSTOMIZATION RULES: -99X: 0.XM(<1.0M) (-993: 0.3M) -XXX: XX.XM(>1.0M) (-155: 15.5M)
WIRES: 4X16AWG JACKET: PUR BLACK WIRE COLOR: BROWN/WHITE/BLUE/BLACK OD: APPROX. 8.4mm TEMPERATURE RATING: 80°C UL TEMP RATING: -50°C TO +80°C FIXED -30°C TO +80°C MOVED SUITABLE FOR DRAG CHAIN APPLICATIONS	TYPICAL LENGTH: -001: 0.5M -002: 1.0M -003: 1.5M -020: 2.0M -004: 3.0M -005: 5.0M -006: 7.0M -007: 10.0M -200: 20.0M CUSTOMIZATION RULES: -99X: 0.XM(<1.0M) (-993: 0.3M) -XXX: XX.XM(>1.0M) (-155: 15.5M)
WIRES: 4X14AWG JACKET: PVC BLACK WIRE COLOR: BROWN/WHITE/BLUE/BLACK OD: APPROX. 9.5mm TEMPERATURE RATING: 80°C UL TEMP RATING: -50°C TO +80°C FIXED -40°C TO +80°C MOVED -20°C TO +80°C MOVED	TYPICAL LENGTH: -001: 0.5M -002: 1.0M -003: 1.5M -020: 2.0M -004: 3.0M -005: 5.0M -006: 7.0M -007: 10.0M -200: 20.0M CUSTOMIZATION RULES: -99X: 0.XM(<1.0M) (-993: 0.3M) -XXX: XX.XM(>1.0M) (-155: 15.5M)

CABLE CHARACTERISTIC	LENGTH "L"	TYPE	POS.	HSG COLOR	SHIELDING	TABLE 2 TE PN
RPC-M12L-5FR-***-SH PUR 14AWG BK	4	5	GRAY	Y	T41614B9L15-XXX	
RPC-M12L-5FR-***-SH PUR 14AWG GY	4	5	GRAY	Y	T41614B9L25-XXX	
RPC-M12L-5FR-***-PUR 16AWG GY	4	5	GRAY	N	T41514C9L25-XXX	
RPC-M12L-5FR-***-PUR 14AWG GY	4	5	GRAY	N	T41514B9L25-XXX	
RPC-M12L-5FR-***-PVC 14AWG GY	4	5	GRAY	N	T4151499L25-XXX	
RPC-M12L-4FR-***-PUR 16AWG BK	4	4	BLACK	N	T41514C9L14-XXX	
RPC-M12L-4FR-***-PVC 14AWG BK	4	4	BLACK	N	T4151499L14-XXX	

THIS DRAWING IS A CONTROLLED DOCUMENT.

DWN: ALEX ZHANG 04NOV2020  
 CHK: HART HE 04NOV2020  
 APVD: CHRIS WANG 04NOV2020

PRODUCT SPEC: 108-137350  
 APPLICATION SPEC: 114-137144

NAME: M12 L CODE CORDSETS FEMALE ANGLED

SIZE: A2 CAGE CODE: - DRAWING NO: T41X14XXLXXXXX RESTRICTED TO: -

CUSTOMER DRAWING SCALE: 1:1 SHEET: 2 OF 2 REV: A1