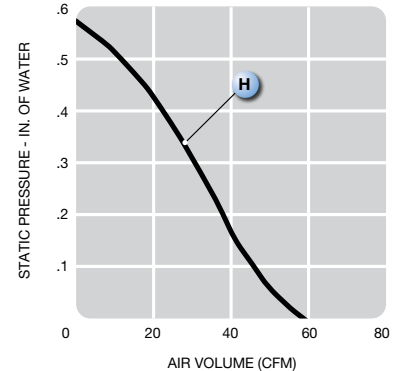
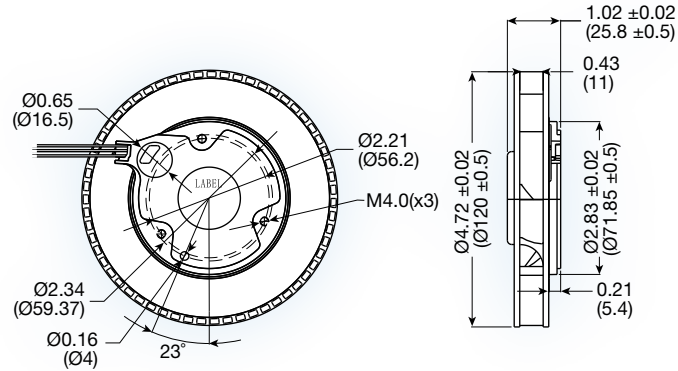


MSI1225 series



(120 dia. x 25 mm)

4.72 dia. x 0.98 inches

Features: soft start, polarity protection, auto-restart

Operating Voltage: 12 or 24 VDC

Construction: aluminum die cast motor base; UL94V-0 plastic impeller

Bearing option: ball bearing

Motor: brushless DC

Model No.	Rated Voltage VDC	Current A		Speed RPM	Air Volume		Max. Static Pressure (H ₂ O)		Sound Noise dba	Weight g
		12	24		M ³ /Min.	CFM	MM	INCH		
MSI1225H	12/24	0.88	0.48	3,300	1.64	58.0	13.7	0.57	51	161

