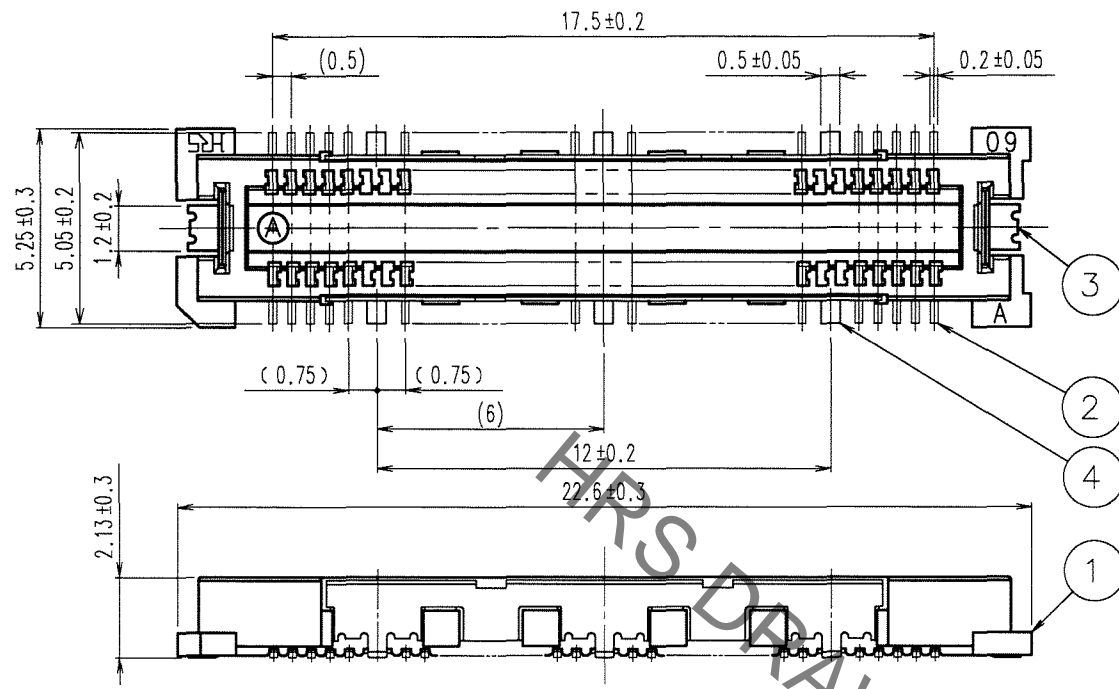
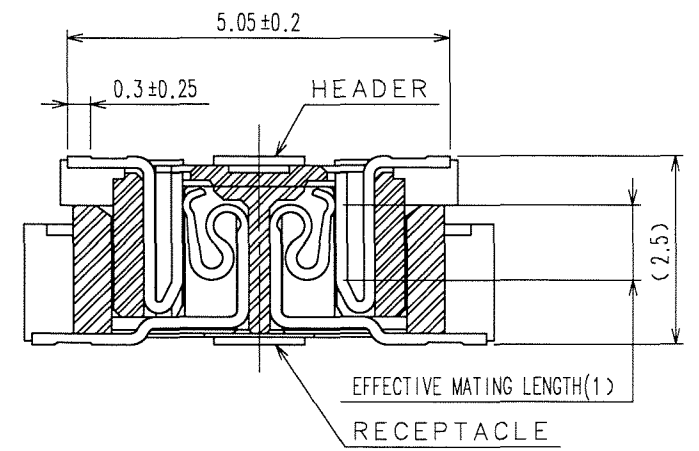


May.1.2023 Copyright 2023 HIROSE ELECTRIC CO., LTD. All Rights Reserved.  
In case of consideration for using Automotive equipment / device which demand high reliability, kindly contact our sales window correspondents.

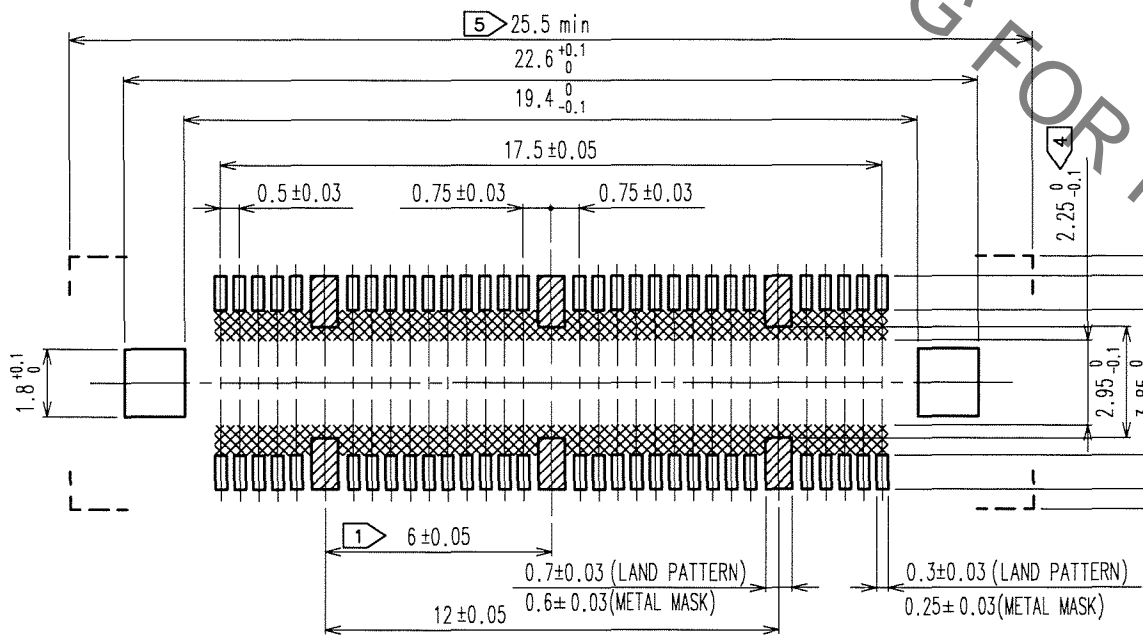
COUNT DESCRIPTION OF REVISIONS BY CHKD DATE				COUNT DESCRIPTION OF REVISIONS BY CHKD DATE			
△				△			
△				△			
△				△			



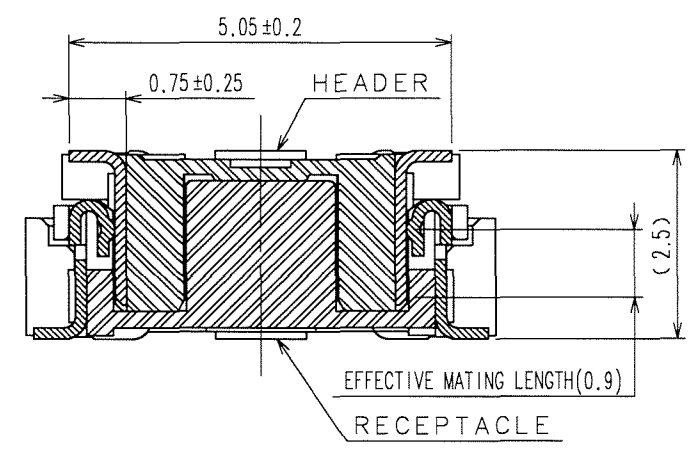
SIGNAL PORTION CROSS SECTION (10:1)



RECOMMENDED LAND PATTERN DIMENSION OF PCB



GROUND PORTION CROSS SECTION (10:1)



- NOTES
- ① 6 HATCHED PARTS:GROUND CIRCUIT.
  - ② SMT LEAD-COPLANARITY:0.1 MAX.
  - ③ THIS PRODUCT HAS NO POLARITY TO PATTERN FOR MOUNTING.
  - ④ MAKE SURE WIDTH OF PATTERN IS WITHIN THAT OF LAND ,OR LEAD MAY TOUCH PATTERN.(THIS APPLIES TO HATCHED AREA.)
  - ⑤ DO NOT MOUNT OTHER DEVICES ONTO AREA ,OR MATING PAIR CANNOT BE MATED.
  - ⑥ THE DIMENSIONS IN PARENTHESES ARE FOR REFERENCE.

3, 4	PHOSPHOR BRONZE	TIN-PLATING	2	COPPER ALLOY	CONTACT AREA:GOLD 0.1 μm min. LEAD AREA:GOLD FLASH
1	LCP	BEIGE UL94V-0			UNDER PLATING:NICKEL 1 μm min.
NO.	MATERIAL	FINISH, REMARKS	NO.	MATERIAL	FINISH, REMARKS
CODE NO. (COLD) CL			DRAWN	DESIGNED	CHECKED
			S.KAMIGA	<i>H. Nakamura</i>	<i>M. Ogawa</i>
			06.05.13	06.05.13	06.05.13
DRAWING NO. EDC3-152601-25			PART NO. FX11B-60P/6-SV(71)		
UNITS mm			CODE NO. CL573-0512-3-71		

TO  
PCK