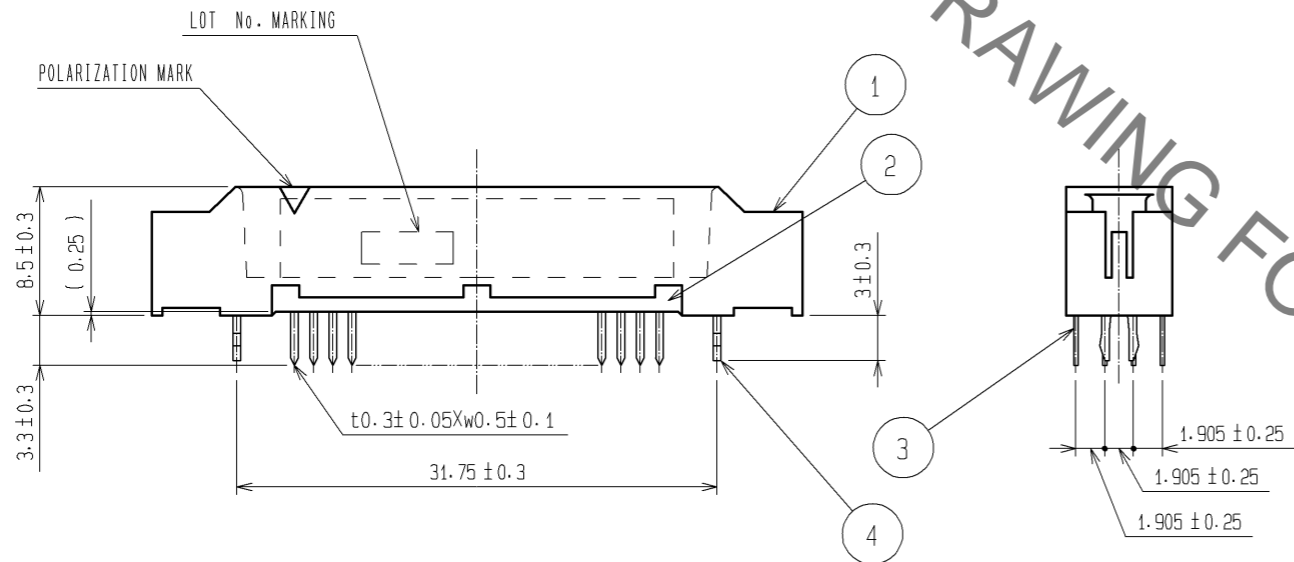
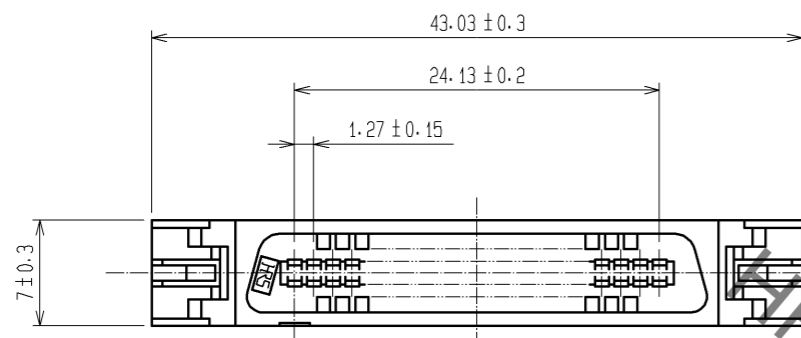
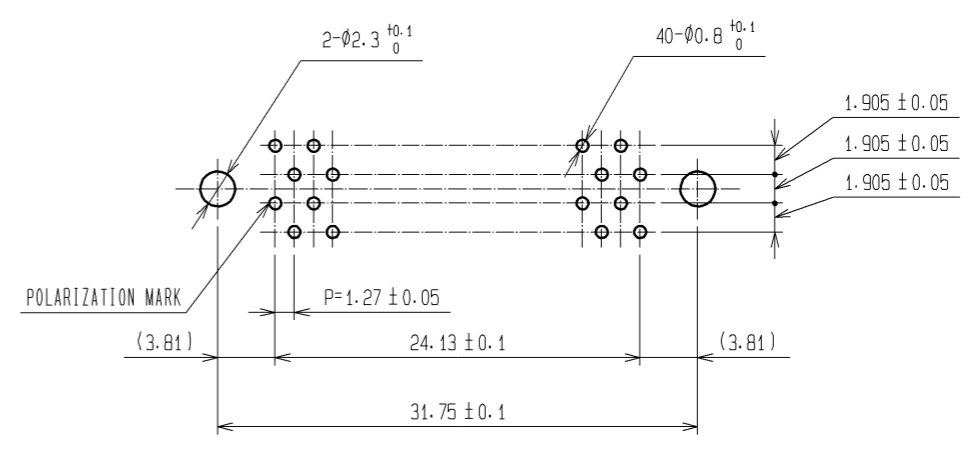


May.1.2023 Copyright 2023 HIROSE ELECTRIC CO., LTD. All Rights Reserved.
In case of consideration for using Automotive equipment / device which demand high reliability, kindly contact our sales window correspondents.



RECOMMENDED PC BOARD HOLE PATTERN(MOUNTING SIDE)



NOTE 1 THE DIMENSIONS IN PARENTHESES ARE FOR REFERENCE.

4	PHOSPHOR BRONZE	TIN-PLATING	3	PHOSPHOR BRONZE	CONTACT AREA:GOLD 0.2 #m min.			
1,2	POLYAMIDE	BLACK UL94V-0			DIP AREA:TIN-PLATING 2#m min.			
					UNDER PLATING:NICKEL 2#m min.			
NO.	MATERIAL	FINISH . REMARKS	NO.	MATERIAL	FINISH . REMARKS			
UNITS	⊕	SCALE	△	COUNT	DESCRIPTION OF REVISIONS	DESIGNED	CHECKED	DATE
mm		2 : 1						
HRS HIROSE ELECTRIC CO., LTD.		APPROVED : HS. OKAWA	08.07.16	DRAWING NO. EDC3-082272-21				
		CHECED : HT. YAMAGUCHI	08.07.16	PART NO. FX2B-40P-1.27DSAL(71)				
		DESIGNED : KN. SHIBUYA	08.07.15	CODE NO. CL572-0853-8-71				
		DRAWN : AH. EDASHIGE	08.06.17					