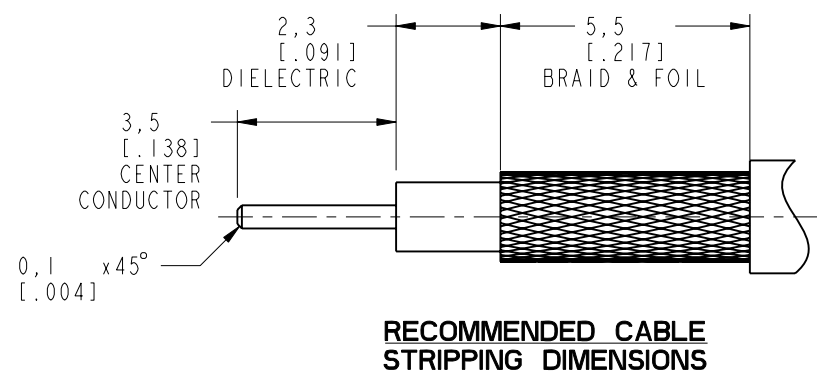


NOTES:

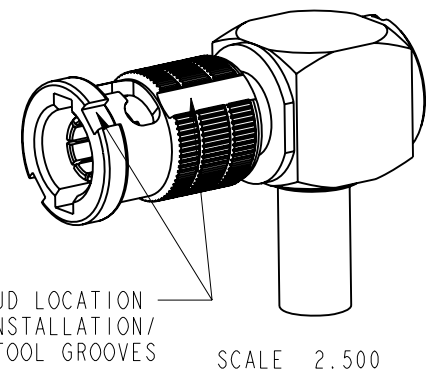
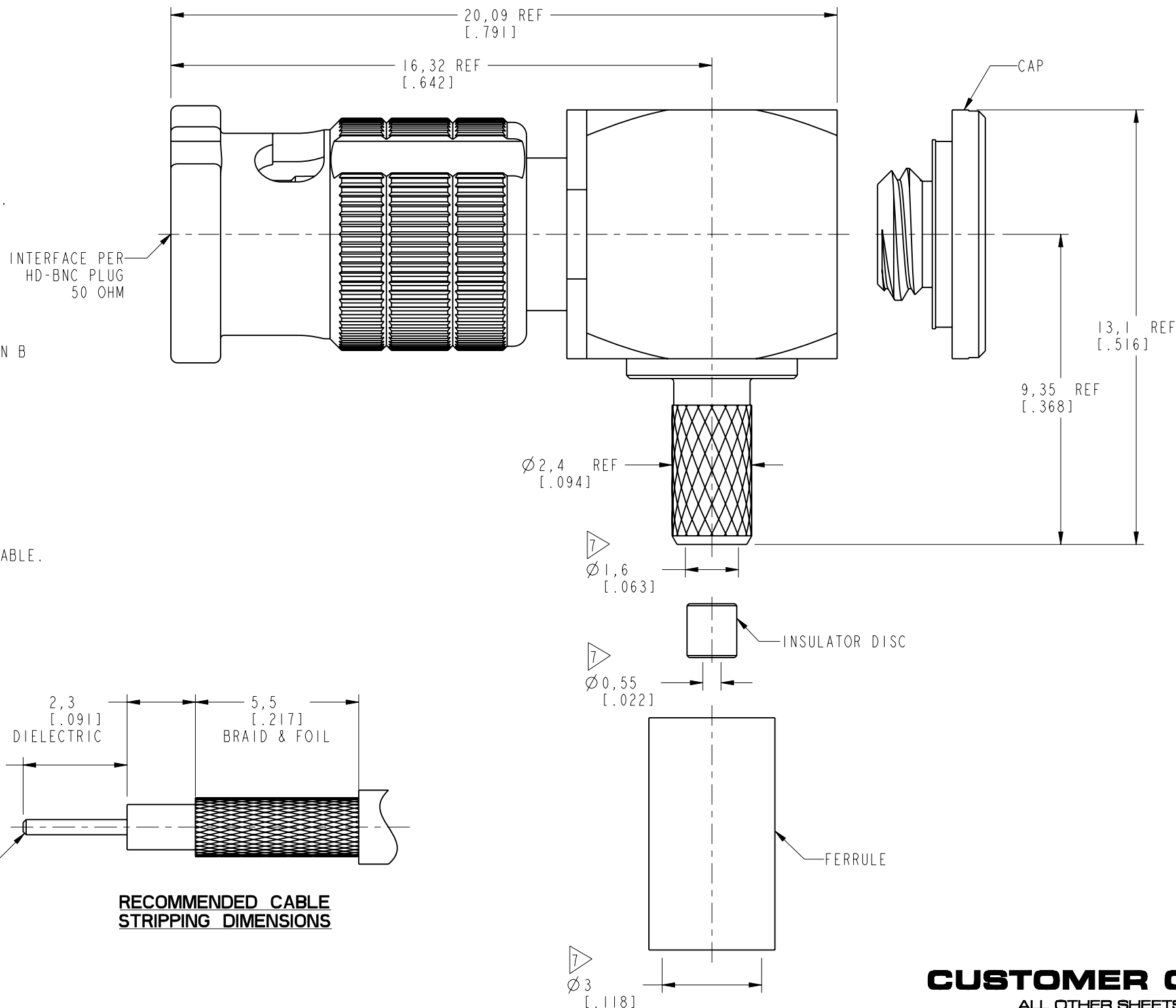
1. MATERIALS AND FINISHES:
 BAYONET SLEEVE, RETAINING RING,
 BODY REAR & WASHER - BRASS, NICKEL PLATING
 OUTER CONTACT - BeCu, NICKEL PLATING
 CONTACT - PHOSPHOR BRONZE, GOLD PLATING
 FERRULE - COPPER, NICKEL PLATING
 INSULATOR - PTFE, NATURAL
 INSULATOR DISC - PEEK, NATURAL
 SPRING & CAP - STAINLESS STEEL, PASSIVATED
 GASKET - FLUORO SILICONE RUBBER, BLUE
2. ELECTRICAL:
 A. IMPEDANCE: 50 OHM
 B. FREQUENCY RANGE: DC - 6 GHz
 C. VSWR: 1.20 MAX.
 D. DIELECTRIC WITHSTANDING VOLTAGE: 1000 VRMS, MIN.
3. MECHANICAL:
 A. DURABILITY: 500 CYCLES MIN.
 B. TEMPERATURE RANGE: -65°C TO +165°C
4. ENVIRONMENTAL:
 A. THERMAL SHOCK PER MIL-STD-202 METHOD 107
 TEST CONDITION B (EXCEPT HIGH TEMP @200°C)
 B. VIBRATION: MIL-STD-202 METHOD 204 TEST CONDITION B
 C. SHOCK: MIL-STD-202 METHOD 213 TEST CONDITION B
 D. CORROSION: MIL-STD-202 METHOD 101
 TEST CONDITION B 5% SALT SOLUTION
5. PACKAGING:
 A. QUANTITY: SINGLE PACK
 B. MARKING: BAG TO BE MARKED:
 "AMPHENOL RF, 34-5071, DATE CODE"
6. CABLE ASSEMBLY INSTRUCTIONS:
 A. TRIM CABLE AS SHOWN.
 B. SLIDE THE FERRULE AND INSULATOR DISC ONTO THE CABLE.
 C. INSERT CABLE INTO CONNECTOR.
 D. SOLDER CONTACT TO CABLE CENTER CONDUCTOR.
 E. CRIMP FERRULE WITH .128" HEX.
 F. ASSEMBLE CAP TO BODY WITH 5 IN-LBS TORQUE.

7 SHOWS CABLE ENTRY DIMENSIONS.



THIRD ANGLE PROJ.

		REVISIONS		
REV	DESCRIPTION	DATE	ECN	APPR
A	RELEASE TO MFG.	03-Mar-20	14561	EH



CUSTOMER OUTLINE DRAWING
 ALL OTHER SHEETS ARE FOR INTERNAL USE ONLY

UNLESS OTHERWISE SPECIFIED, DIMENSIONS ARE IN METRIC AND TOLERANCES ARE: <0.5mm ±0.05mm 0.5 - 6mm ±0.1mm 6 - 30mm ±0.2mm 30 - 120mm ±0.3mm ANGLES ±1°	MATERIAL	DRAWN	DATE	TITLE	Amphenol RF www.amphenolrf.com	
	SEE NOTES	WIKI	11-Mar-20	50 OHM HD-BNC RA PLUG FOR RG 316 CABLE		
NOTICE - These drawings, specifications, or other data (1) are, and remain the property of Amphenol corp. (2) must be returned upon request; and (3) are confidential and not to be disclosed to any person other than those to whom they are given by Amphenol Corp. the furnishing of these drawings, specifications, or other data by Amphenol Corp., or to any other person to anyone for any purpose is not to be regarded by implication or otherwise in any manner licensing, granting rights to permitting such holder or any other person to manufacture, use or sell any product, process or design, patented or otherwise, that may in any way be related to or disclosed by said drawings, specifications, or other data.	REFERENCE	ENGINEER	DATE	SCALE: 6.7:1.0 SHEET 2 OF 2	DRAWING NO. 34-5071	
	EAR# 9339	STAR	11-Mar-20		ITEM NO. 34-5071	
	REF:	APPROVED	S.HSIEH	DATE		PART NO. 34-5071
	CONFIGURATION LEVEL: In Work	CAD FILE		18-Mar-20	DWG SIZE B REV A	
FINISH						