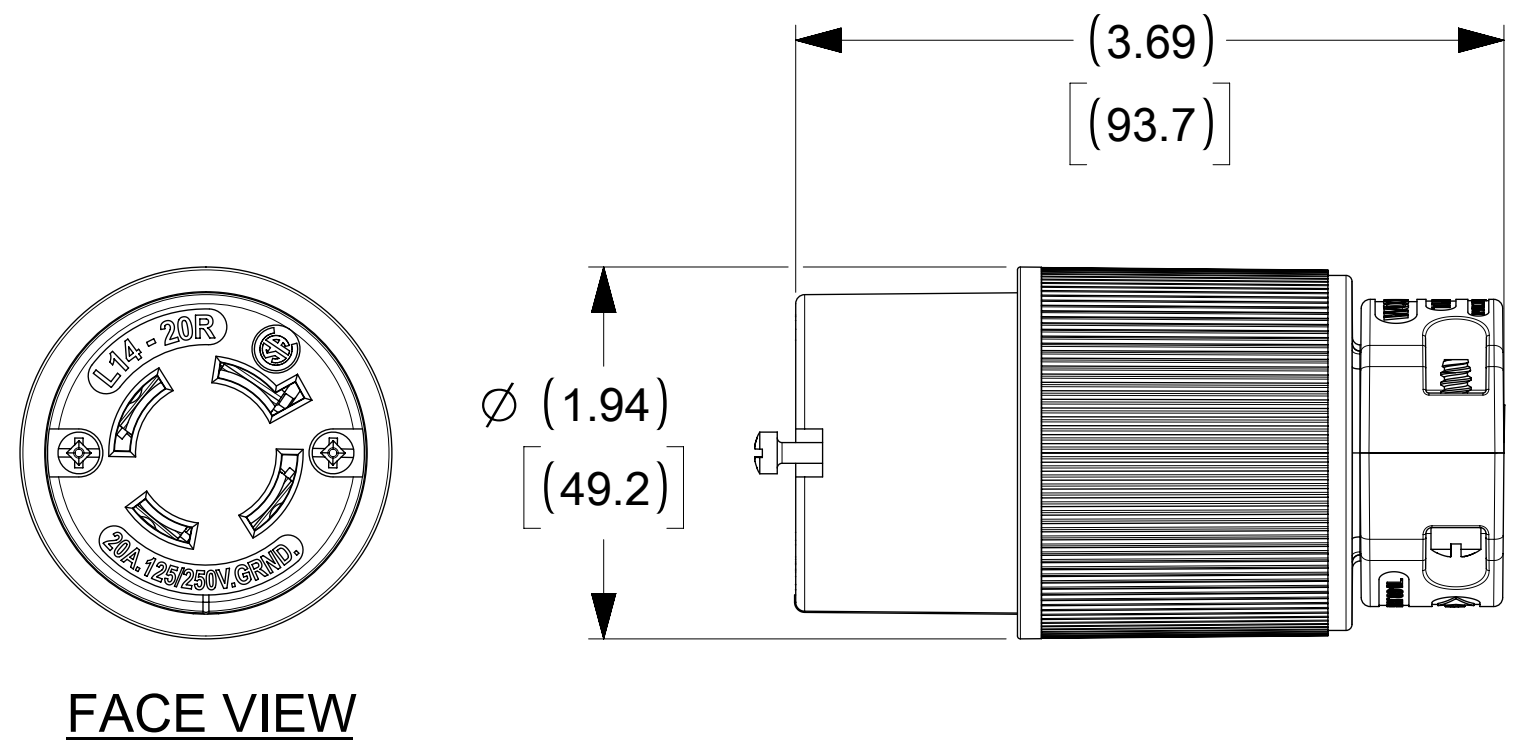
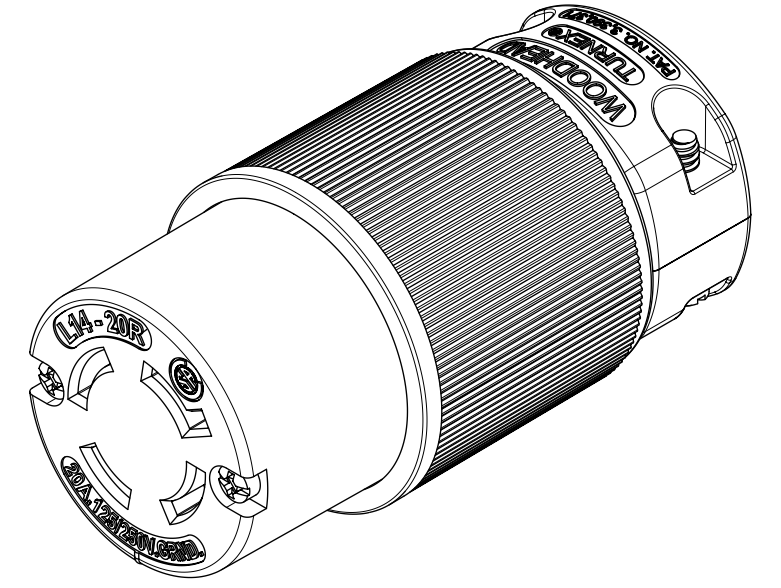
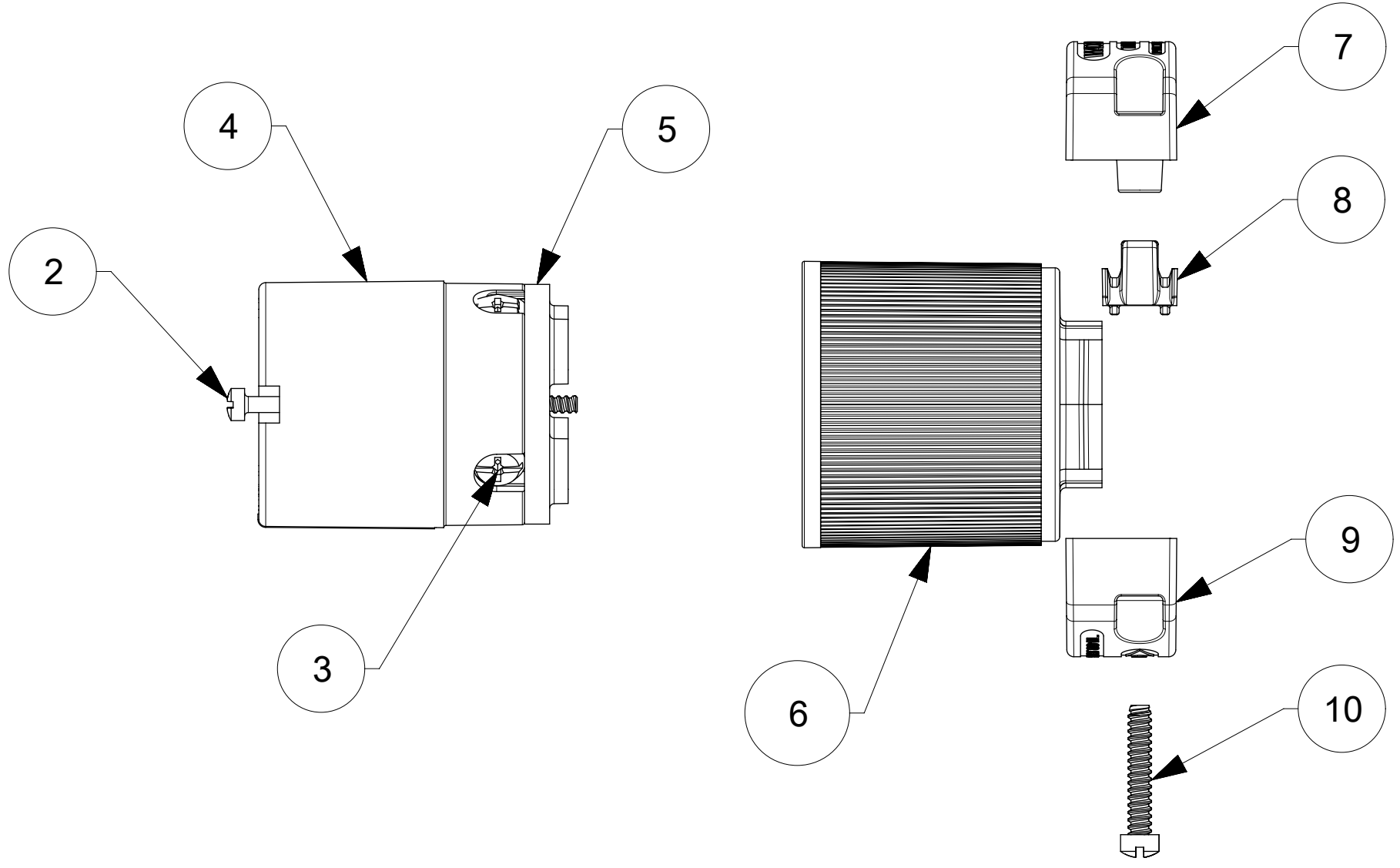
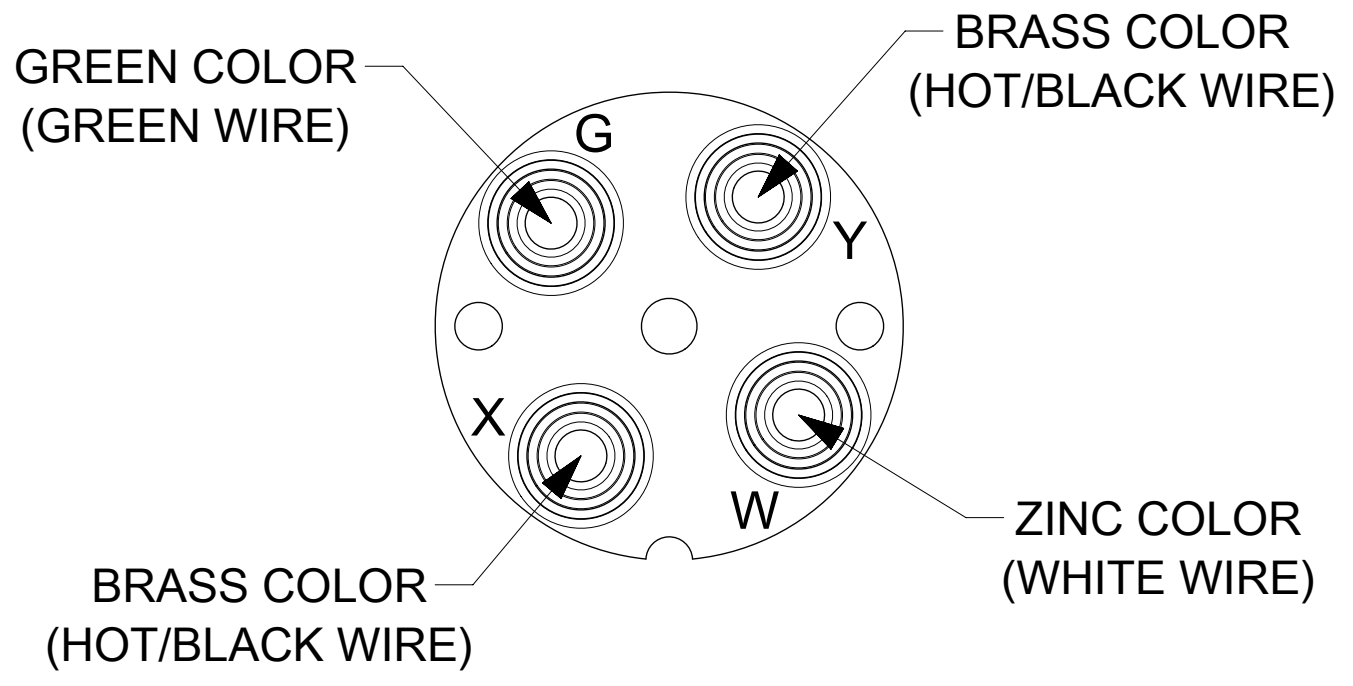


ORDER NO.	WOODHEAD NO.	COLOR
130145-0035	27T74	BLACK
130145-0036	27T74YL	YELLOW



WIRING TERMINATION



ITEM NO.	DESCRIPTIONS	MATERIAL	QTY.
1	BLADES	BRASS	4
2	RETAINING SCREWS	STAINLESS STEEL	2
3	TERMINAL SCREWS/CLAMP ASSEMBLY	BRASS, ZINC PLATED	4
4	INSERT	NYLON	1
5	TERMINAL COVER	POLYCARBONATE	1
6	HOUSING	NYLON	1
7	CLAMP CORD MALE	NYLON	1
8	CLAMP CORD INSERT	NYLON	1
9	CLAMP CORD FEMALE	NYLON	1
10	RETAINING SCREWS	STAINLESS STEEL	2

SYMBOLS DIMENSION UNITS: INCH[MM] SCALE: NTS CURRENT REV DESC: NEW RELEASE		GENERAL TOLERANCES (UNLESS SPECIFIED) 4 PLACES ± 3 PLACES ± 2 PLACES ± 1 PLACE ± 0 PLACES ± ANGULAR TOL ± °		EC NO: 627362 DRWN: VBASUTHKARP 2019/05/21 CHK'D: DNGUYEN62 2019/11/22 APPR: HKNEELAND 2020/01/13 INITIAL REVISION: DRWN: VBASUTHKARP 2019/05/21 APPR: HKNEELAND 2020/01/13			
DRAFT WHERE APPLICABLE MUST REMAIN WITHIN DIMENSIONS		THIRD ANGLE PROJECTION		DRAWING SERIES: C-SIZE 130145		SAFEWAY CONNECTOR TURNEX 3P4W L14-20 PRODUCT CUSTOMER DRAWING DOCUMENT NUMBER: 1301450035 DOC TYPE: PSD DOC PART: 000 REVISION: A	
MATERIAL NUMBER: SEE TABLE		CUSTOMER: GENERAL MARKET		SHEET NUMBER: 1 OF 1			