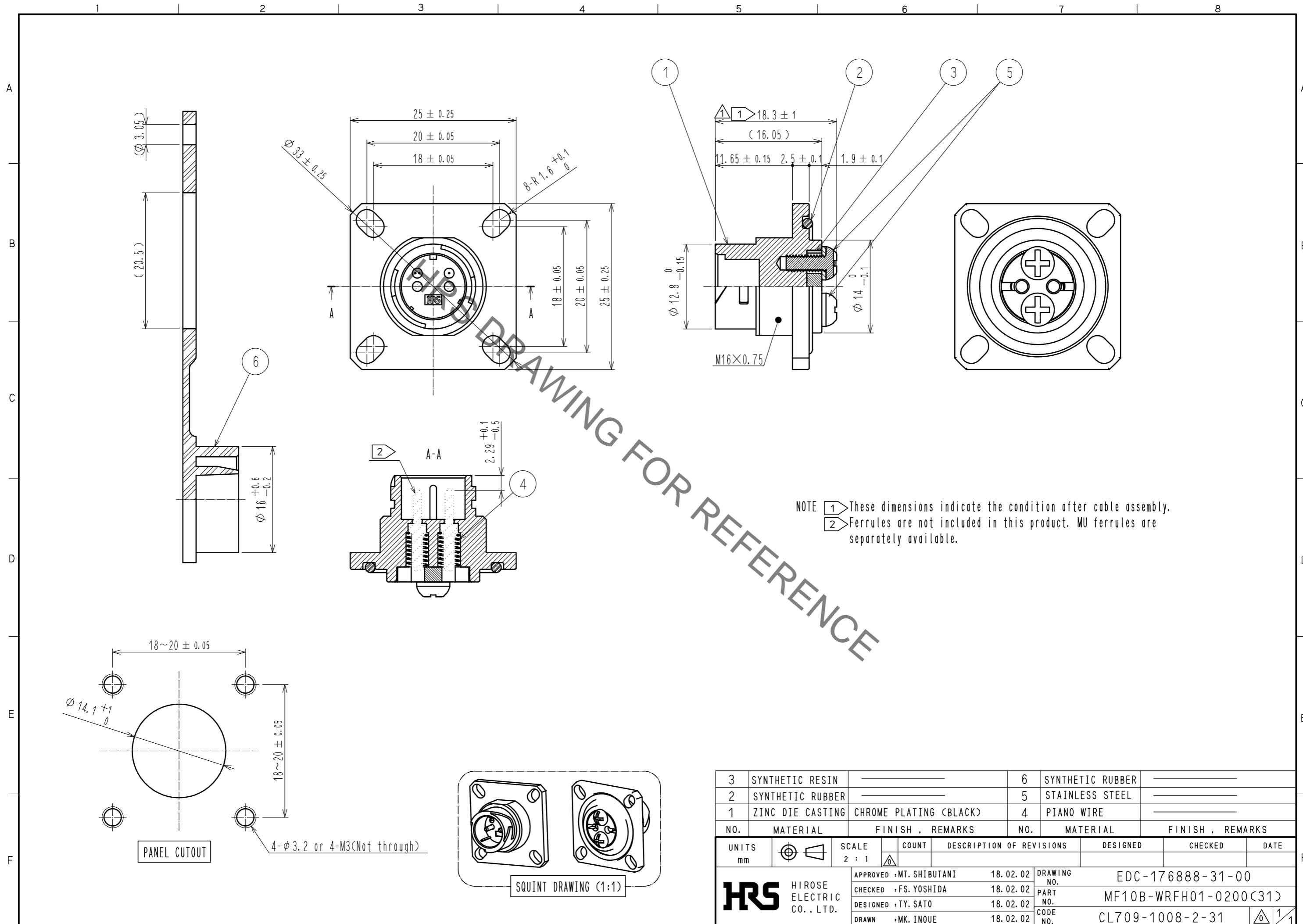
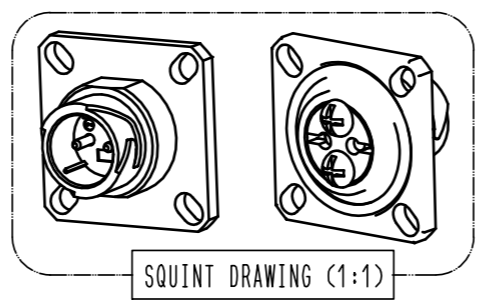


May.1.2023 Copyright 2023 HIROSE ELECTRIC CO., LTD. All Rights Reserved.
 In case of consideration for using Automotive equipment / device which demand high reliability, kindly contact our sales window correspondents.



NOTE 1 These dimensions indicate the condition after cable assembly.
 2 Ferrules are not included in this product. MU ferrules are separately available.



3	SYNTHETIC RESIN		6	SYNTHETIC RUBBER			
2	SYNTHETIC RUBBER		5	STAINLESS STEEL			
1	ZINC DIE CASTING	CHROME PLATING (BLACK)	4	PIANO WIRE			
NO.	MATERIAL	FINISH . REMARKS	NO.	MATERIAL	FINISH . REMARKS		
UNITS	mm	SCALE	COUNT	DESCRIPTION OF REVISIONS	DESIGNED	CHECKED	DATE
		2 : 1	△				
APPROVED : MT. SHIBUTANI				18.02.02	DRAWING NO. EDC-176888-31-00		
CHECKED : FS. YOSHIDA				18.02.02	PART NO. MF10B-WRFH01-0200(31)		
DESIGNED : TY. SATO				18.02.02	CODE NO. CL709-1008-2-31		
DRAWN : MK. INOUE				18.02.02	1/1		