



**REED SWITCH DEVELOPMENTS CORP.**

2524 Norwood Court

Racine, WI 53403

Ph: (262)883-9060

[sales@reedswitchdevelopments.com](mailto:sales@reedswitchdevelopments.com)

**SPECIFICATION SHEET**

**2250-1900-100**

Alternate Part Number:

**AM2250-1900-10-01**

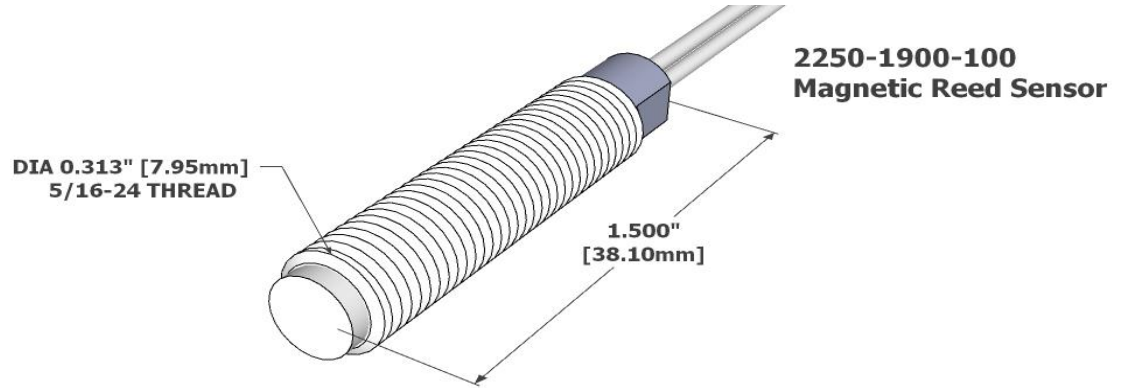
Active / Equivalent Part Numbers:

2250-1900-100 - Magnetic Reed Sensor Only

AM2250-1900-10-01 - Magnetic Reed Sensor Only

Sensor (Reed) - Specifications		1900	
Physical	Configuration	SPDT	
	Form	C	
	Contact Position	OFFSET	
	Glass L	14.00	mm
	Glass D	2.30	mm
	Total L*	55.00	mm
	Wire D	0.53	mm
	Gap Location		
	Mount Spec*	THRU	
	Contact Material	RHODIUM	
	Max Vibration Resistance	20	G
	Max Shock Resistance (11ms)	50	G
	Lead Tensile Strength	N/A	KG
Operating	Pull in (+/- 2AT)*	20-25	AT
	Drop out*	5	AT
	Operate Time	2.0	ms
	Bounce Time	0.60	ms
	Release Time	0.50	µs
	Resonant Frequency	N/A	Hz
	Max Operating Frequency	250	Hz
	Operating Temperature Range	-40 - 105	°C
	Storage Temperature	N/A	°C
	Electrical	DC Contact Rating	20
AC Contact Rating		20	VA
DC Switching Voltage		150	VDC
AC Switching Voltage		150	VAC
DC Switching Current		1.00	A
AC Switching Current		1.00	A
DC Max Carry Current		2.00	A
AC Max Carry Current		2.00	A
Min Breakdown Voltage		200	VDC
Max Initial Contact Resistance		150	mOhm
Typical Initial Contact Resistance		N/A	mOhm
Max Contact Capacitance		0.80	pF
Min Insulation Resistance		10 <sup>9</sup>	Ohm

\* Pre-processed, bare reed element



**Sensor - Wire/Cable Characteristics (cont.)**

Type	Wire
Conductor Count	3
Length	6.0"/152.4mm
Colors	RED, BLK, WHT
Insulation Material	PVC
Gauge	24 AWG
Stranded Copper	7 STR-TC
Maximum Temp	105°C

**Housing Characteristics 2250**

Cylindrical Threaded (5/16-24)	
Length	1.500"/38.10mm
Width	0.313"/7.95mm
Material	Celanex 3316

**Conductor Configuration**

Common (COM) - WHITE
Normally Open (NO) - RED
Normally Closed (NC) - BLACK

For More Information Visit:

[www.reedswitchdevelopments.com](http://www.reedswitchdevelopments.com)

Or Call Us At:

262-883-9060

**Standard Sensor/Actuator - Min. Actuation Distance**

2250-4002-000	0.13"/3.3mm
---------------	-------------

**Assembly Certifications**

UL Recognized (File #: E102207)	Y
RoHS / Reach Compliant	Y
Conflict Free Material	Y

REV DATE: 10/06/2021

DISCLAIMER NOTICE: INFORMATION FURNISHED IS PROPRIETARY, AND IS BELIEVED TO BE ACCURATE AND RELIABLE, AND IS SUBJECT TO CHANGE WITHOUT NOTICE. IT SHALL BE THE RESPONSIBILITY OF THE BUYER TO ENSURE THAT THE GOODS ARE SUFFICIENT AND SUITABLE FOR THE PURPOSE OR PURPOSES INTENDED (WHETHER BY THE BUYER OR BY ANY THIRD PARTY) AND THAT THEIR CAPACITY AND PERFORMANCE IS NOT ADVERSELY AFFECTED BY ANY ITEMS USED IN THEIR INSTALLATION (WHERE RELEVANT) AND/OR IN CONNECTION WITH THEM.

**WBE Certified - State of Wisconsin - MFR CAGE CODE: 32604**

[www.reedswitchdevelopments.com](http://www.reedswitchdevelopments.com)