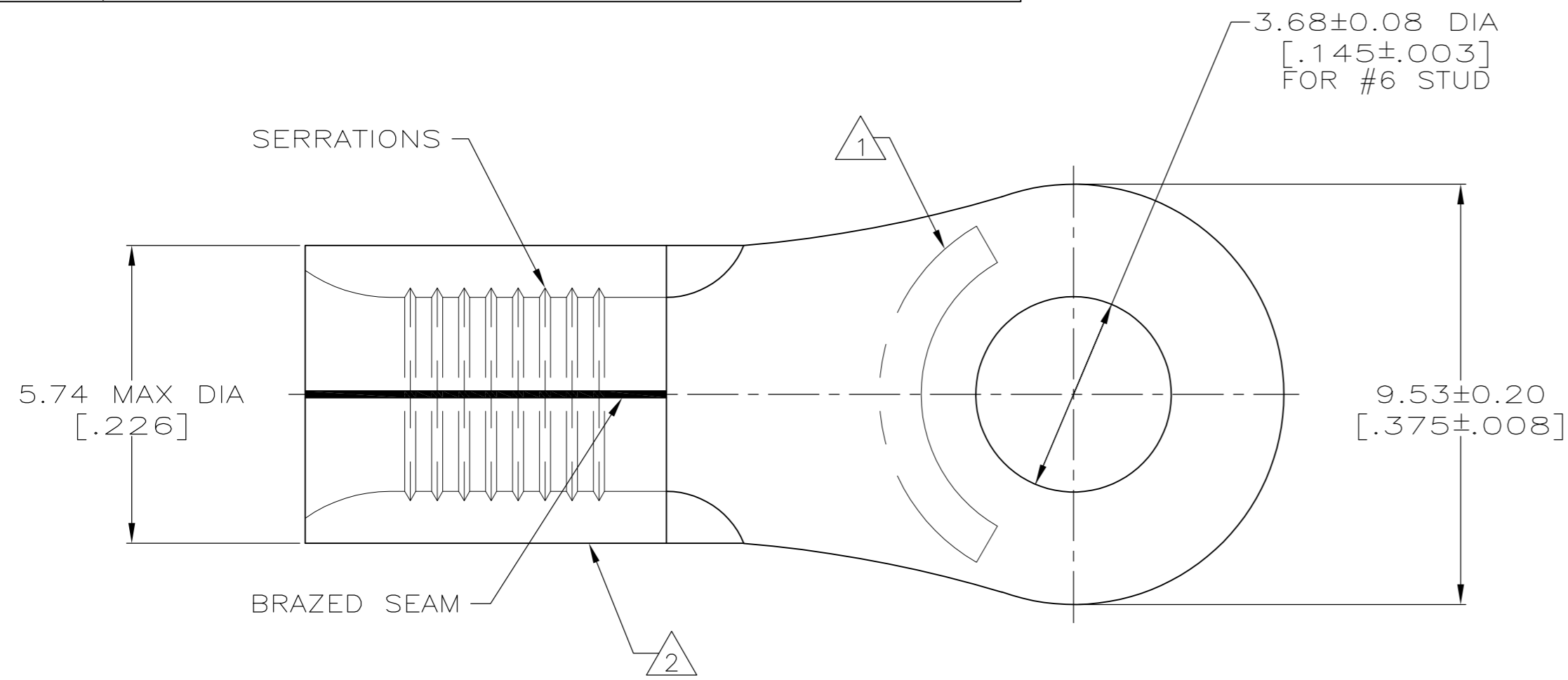


THIS DRAWING IS UNPUBLISHED. RELEASED FOR PUBLICATION
 © COPYRIGHT - By - ALL RIGHTS RESERVED.

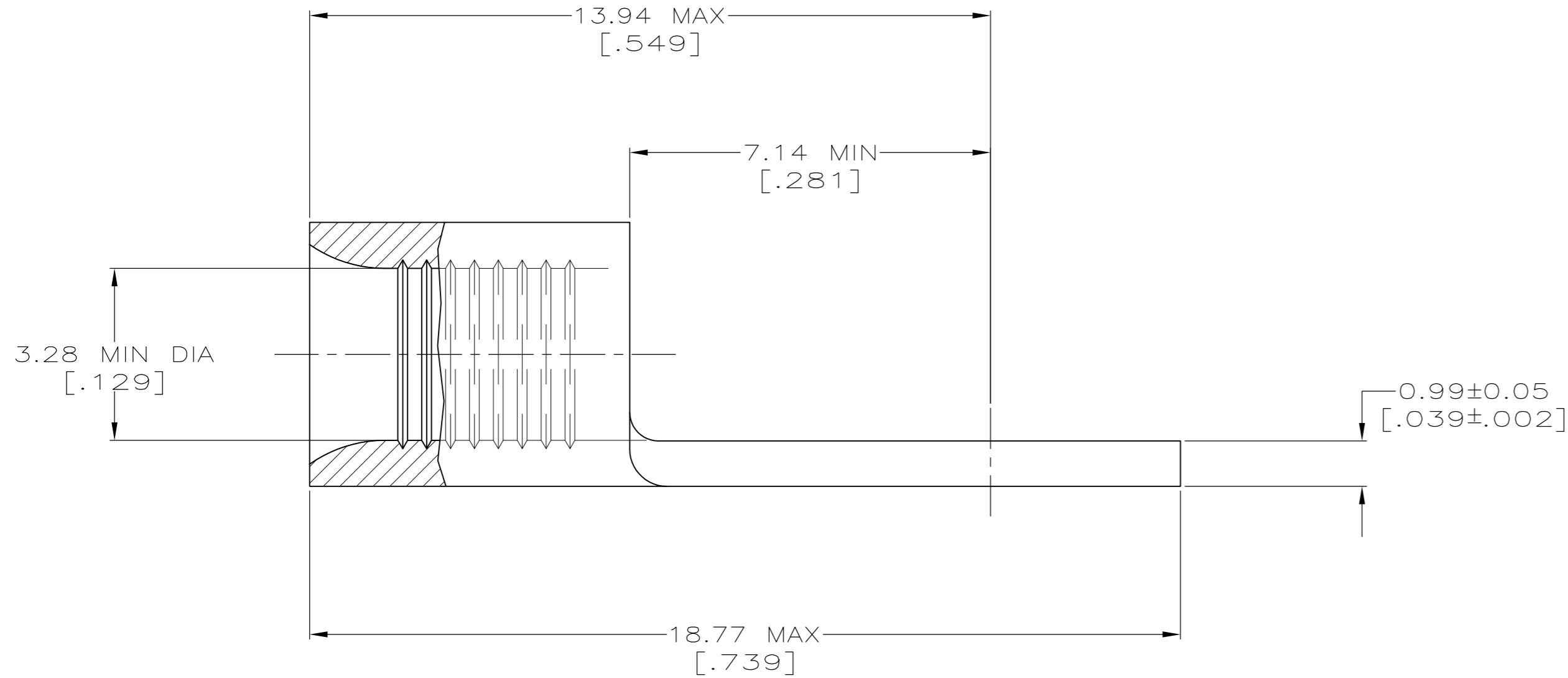
LOC	DIST	REVISIONS			
P	LTR	DESCRIPTION	DATE	DWN	APVD
G	14	G2	REVISED PER ECO-12-011609	22JUN12	KH DR



AMP
WIRE RANGE

12-10 AWG
SOLID OR STRANDED

- 1 STAMP AMP 12-10 APPROX AS SHOWN.
- 2 WIRE BARREL COLOR CODED ORANGE TO DENOTE NICKEL MATERIAL.
- 3 NICKEL PER ASTM B-162, ANNEALED.
- 4 NOTE DELETED.



2500	ON TAPE & REEL	2-323059-3
500	LOOSE PIECE	323059
QTY	PACKAGE TYPE	PART NUMBER

AMP INCORPORATED CUSTOMER SERVICE SYSTEMS		MAX RECOMMENDED OPERATING TEMPERATURE: 649°C[1200°F]
FOR ADDITIONAL PRODUCT INFORMATION OR COPIES OF DRAWINGS AND TECHNICAL DOCUMENTS	PRODUCT INFORMATION CENTER 1-800-522-6752	VOLTAGE RATING: N/A
FOR APPLICATION TOOLING INFORMATION	TOOLING ASSISTANCE CENTER 1-800-722-1111	CIRCULAR MIL AREA: 2.62-6.64mm² [5,180-13,100] SOLID OR STRANDED
FOR ORDER ENTRY	1-800-526-5142	THIS DRAWING IS A CONTROLLED DOCUMENT FOR AMP INCORPORATED. IT IS SUBJECT TO CHANGE AND THE CONTROLLING ENGINEERING ORGANIZATION SHOULD BE CONTACTED FOR THE LATEST REVISION.

THIS DRAWING IS A CONTROLLED DOCUMENT.		DWN	4-16-93	TE Connectivity	
DIMENSIONS: mm [INCHES]		TA BRINKMAN	4-16-93		
TOLERANCES UNLESS OTHERWISE SPECIFIED:		CHK	4-16-93		
0 PLC ± -		DA PATTERSON	4-16-93		
1 PLC ± -		APVD	4-16-93		
2 PLC ± -		JL MECKLEY	4-16-93	NAME	
3 PLC ± -		PRODUCT SPEC		TERMINAL, RING TONGUE, HIGH TEMPERATURE, STRATO-THERM	
4 PLC ± -		APPLICATION SPEC		SIZE	CAGE CODE
ANGLES ± -		WEIGHT	-	A2	00779
FINISH		CUSTOMER DRAWING		DRAWING NO	323059
MATERIAL		SCALE	10:1	SHEET	1 OF 1
3		REV	G2		