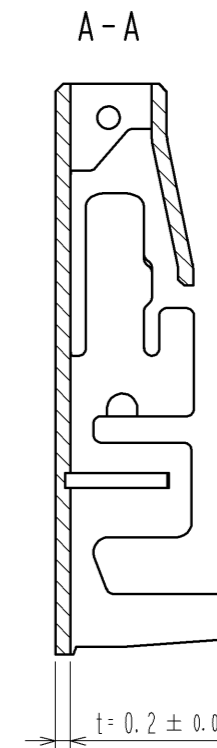
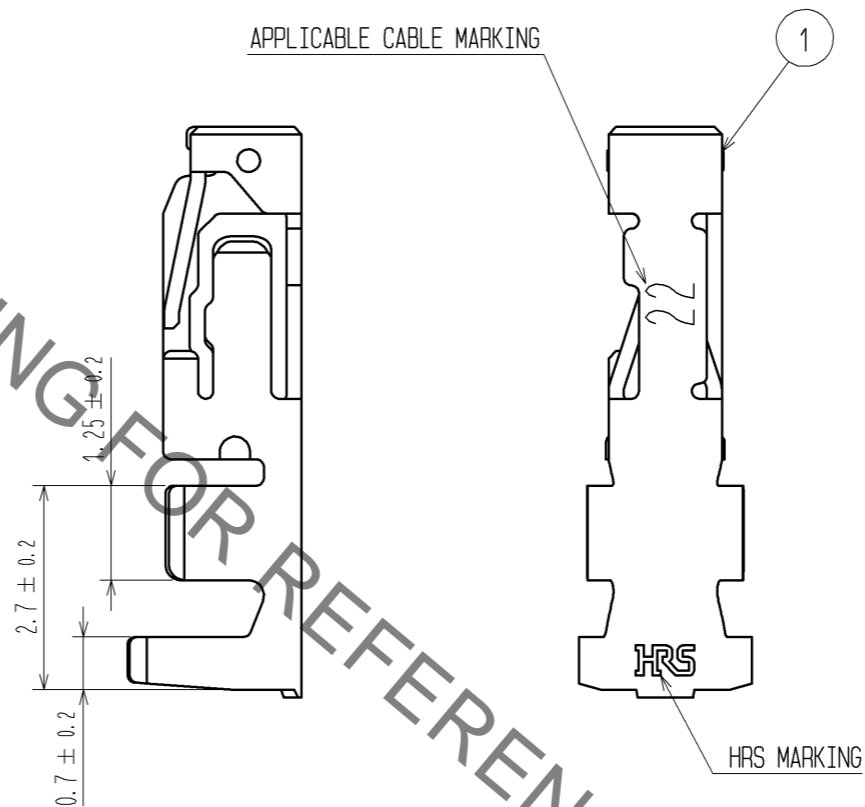
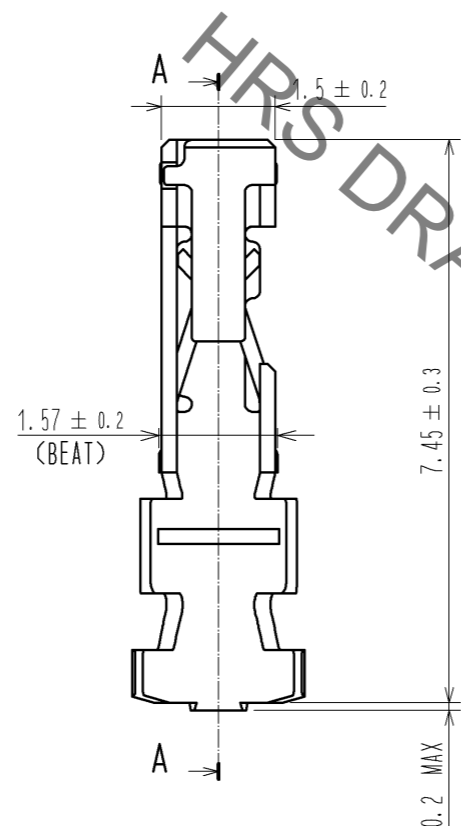
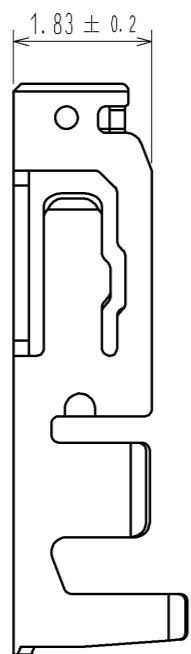


May.1.2023 Copyright 2023 HIROSE ELECTRIC CO., LTD. All Rights Reserved.
 In case of consideration for using Automotive equipment / device which demand high reliability, kindly contact our sales window correspondents.



NOTE 1. 1PACK:100 CONTACTS

NO.	MATERIAL	FINISH . REMARKS	NO.	MATERIAL	FINISH . REMARKS			
1	PHOSPHOR BRONZE	TIN PLATING 1μm MIN						
UNITS	SCALE	COUNT	DESCRIPTION OF REVISIONS			DESIGNED	CHECKED	DATE
mm	10:1	△	APPROVED : KI. AKIYAMA	14.04.26	DRAWING NO.	EDC3-352024-00		
HIROSE ELECTRIC CO., LTD.	CHECED : KI. AKIYAMA	14.04.26	PART NO.		DF62-22SC			
	DESIGNED : TS. KUMAZAWA	14.04.25	CODE NO.		CL544-0572-0-00			
	DRAWN : TS. KUMAZAWA	14.04.25			△ 1/1			