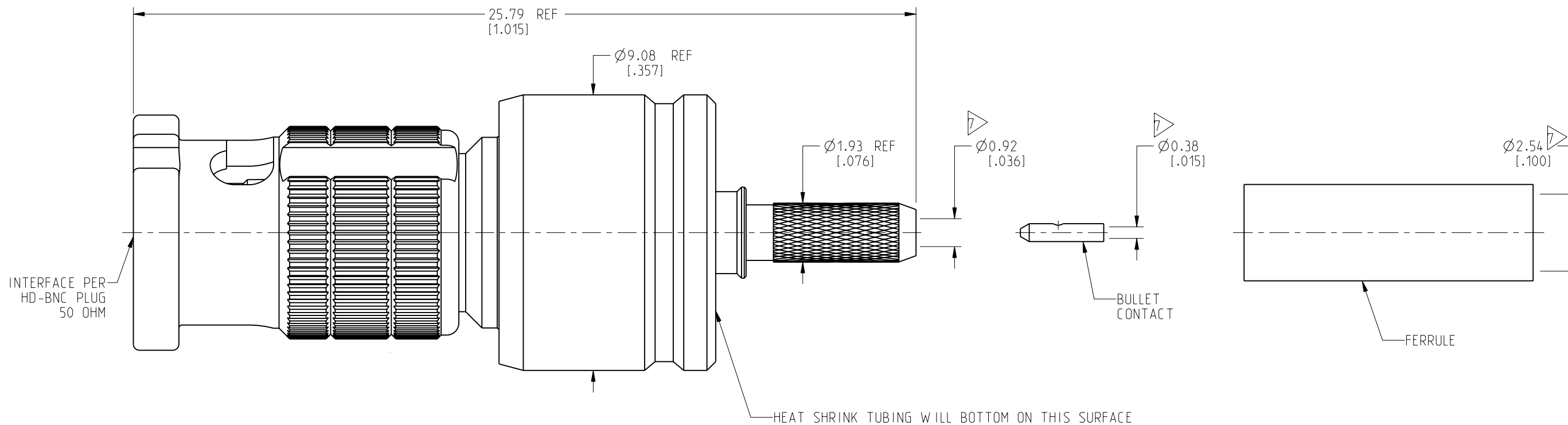
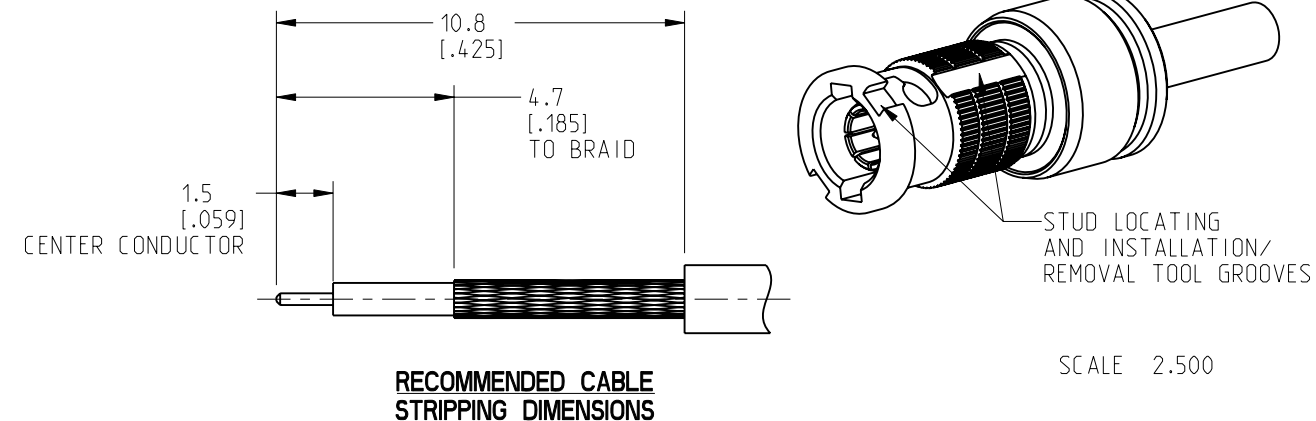


NOTES:

1. MATERIALS AND FINISHES:  
 BODY - BeCu, NICKEL PLATING  
 BODY REAR, WASHER, RETAINING RING & BAYONET SLEEVE - BRASS, NICKEL PLATING  
 FERRULE - COPPER, NICKEL PLATING  
 BULLET CONTACT - BRASS, GOLD PLATING  
 CONTACT - PHOSPHOR BRONZE, GOLD PLATING  
 INSULATOR - PTFE, NATURAL  
 SPRING - STAINLESS STEEL, PASSIVATED  
 O RING - SILICONE RUBBER, RED  
 GASKET - FLUORO SILICONE RUBBER, BLUE  
 HEAT SHRINK TUBE - POLYOLEFIN, BLACK
2. ELECTRICAL:  
 A. IMPEDANCE: 50 OHM  
 B. FREQUENCY RANGE: DC - 6 GHz  
 C. RETURN LOSS: -25 dB MIN.  
 D. DIELECTRIC WITHSTANDING VOLTAGE: 1000 VRMS, MIN.
3. MECHANICAL:  
 A. DURABILITY: 500 CYCLES MIN.  
 B. TEMPERATURE RANGE: -65°C TO 165°C  
 C. SEALING: MEETS IP-67 REQUIREMENTS IN MATED CONDITION

4. PACKAGING:  
 A. QUANTITY: SINGLE PACK  
 B. MARKING: PACKAGING TO BE MARKED "AMPHENOL RF, 34-5074, DATE CODE"
5. HIGH DENSITY INSTALLATION/REMOVAL TOOL: 227-T2000
6. CABLE ASSEMBLY INSTRUCTIONS:  
 A. TRIM CABLE AS SHOWN.  
 B. SLIDE FERRULE & HEAT SHRINK TUBING ONTO CABLE.  
 C. SOLDER CABLE CENTER CONDUCTOR TO BULLET CONTACT.  
 D. INSERT CABLE ENTERING CONNECTOR AND BRAID OVER KNURL.  
 E. CRIMP FERRULE OVER BRAID WITH .105" HEX.  
 F. APPLY HEAT SHRINK TUBING OVER FERRULE.
7. SHOWS CABLE ENTRY DIMENSIONS.
8. ADHESIVE LINED HEAT SHRINK TUBE IS INCLUDED (NOT SHOWN)

REVISIONS				
REV	DESCRIPTION	DATE	ECN	BY
A	RELEASE TO MFG.	13-JUN-22	16280	SH



**CUSTOMER OUTLINE DRAWING**  
 ALL OTHER SHEETS ARE FOR INTERNAL USE ONLY

NOTICE: These drawings, specifications, or other data (1) are, and remain the property of Amphenol corp. (2) must be returned upon request; and (3) are confidential and not to be disclosed to any person other than those to whom they are given by Amphenol Corp. The furnishing of these drawings, specifications, or other data by Amphenol Corp., or to any other person to anyone for any purpose is not to be regarded by implication or otherwise in any manner licensing, granting rights to permitting such holder or any other person to manufacture, use or sell any product, process or design, patented or otherwise, that may in any way be related to or disclosed by said drawings, specifications, or other data.		UNLESS OTHERWISE SPECIFIED DIMENSIONS ARE METRIC (INCHES) AND TOLERANCES ARE: <0.5mm = ±0.05mm [ $<0.020 = \pm 0.002$ ] 0.5 - 6mm = ±0.1mm [ $>0.020 - 0.236 = \pm 0.004$ ] >6.00 - 30mm = ±0.2mm [ $>0.236 - 1.181 = \pm 0.008$ ] >30.00 - 120mm = ±0.3mm [ $>1.181 - 4.725 = \pm 0.012$ ]		MATERIAL SEE NOTES		TITLE 50 OHM HD-BNC STR PLUG FOR RG-178 CABLE IP-67 IN MATED CONDITION		Amphenol RF					
THIRD ANGLE PROJ.		REFERENCE 34-5067	EAR# 10081	ANGLES = ±1°		ENGR.1 S.VO	ENGR.2 WIKI	DATE 15-SEP-20	SHEET NO. 2 OF 2	SCALE: 7.0:1.0	SIZE B	DRAWING NO. 34-5074 ITEM NO. 34-5074 PART NO. 34-5074	REV A