

## Han 100A single module, female

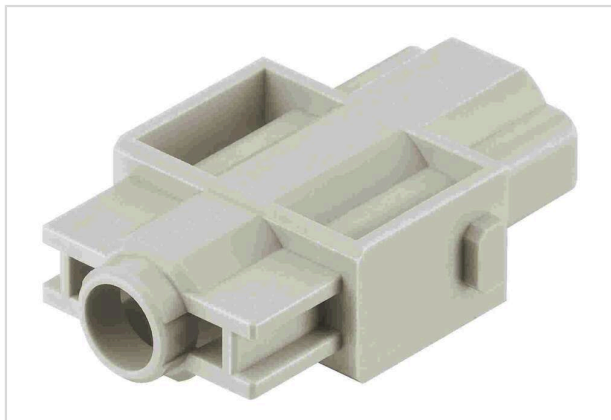


Image is for illustration purposes only. Please refer to product description.

Part number	09 14 001 3131
Specification	Han 100A single module, female
HARTING eCatalogue	<a href="https://b2b.harting.com/09140013131">https://b2b.harting.com/09140013131</a>

### Identification

Category	Modules
Series	Han-Modular®
Type of module	Han® 100 A module
Size of the module	Single module

### Version

Gender	Female
Number of contacts	1
Details	Please order contacts separately.

### Technical characteristics

Conductor cross-section	10 ... 35 mm <sup>2</sup>
Rated current	100 A
Rated voltage	830 V
Rated impulse voltage	8 kV
Pollution degree	3
Rated voltage acc. to UL	600 V
Insulation resistance	>10 <sup>10</sup> Ω
Contact resistance	≤0.3 mΩ
Limiting temperature	-40 ... +125 °C
Mating cycles	≥500



Pushing Performance  
Since 1945

## Material properties

Material (insert)	Polycarbonate (PC)
Colour (insert)	RAL 7032 (pebble grey)
Material flammability class acc. to UL 94	V-0
RoHS	compliant
ELV status	compliant
China RoHS	e
REACH Annex XVII substances	Not contained
REACH ANNEX XIV substances	Not contained
REACH SVHC substances	Not contained
California Proposition 65 substances	Not contained
Fire protection on railway vehicles	EN 45545-2 (2020-08)
Requirement set with Hazard Levels	R22 (HL 1-3) R23 (HL 1-3)

## Specifications and approvals

Specifications	IEC 60664-1 IEC 61984
UL / CSA	UL 1977 ECBT2.E235076 UL 2237 PVVA2.E318390 CSA-C22.2 No. 182.3 PVVA8.E318390
Approvals	DNV GL

## Commercial data

Packaging size	2
Net weight	9 g
Country of origin	Germany
European customs tariff number	85389099
GTIN	5713140019386
eCl@ss	27440217 Module for industrial connectors (power/signals)