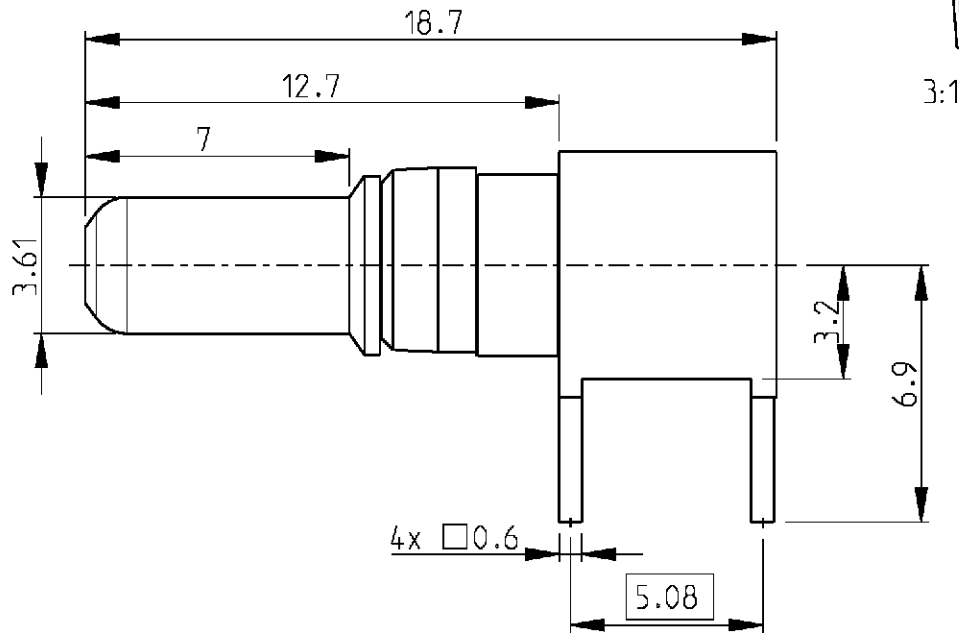
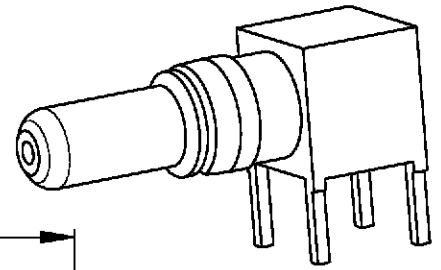
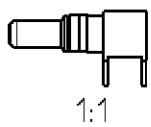


LOC	DIST	REVISIONS				
P	LTR	DESCRIPTION	DATE	DWN	APVD	
GW	-	A	-	19APR2001	BL	KM



- 2) All dimensions are max unless otherwise specified.
- 1) Application DIN 41612 type M

Cross reference table				
Old part number	Tyco part number	Current	Material	Plating
C42334-A347-A127	2-1393589-2	25 A	Brass	1 μm Au or Pd in contact area



2000  
RELEASED FOR PUBLICATION

THIS DRAWING IS UNPUBLISHED.  
COPYRIGHT 2000 BY TYCO ELECTRONICS CORPORATION. ALL RIGHTS RESERVED.

DIMENSIONS:		DWN	19APR2001
mm		B. Lenvain	
TOLERANCES UNLESS OTHERWISE SPECIFIED:		CHR	19APR2001
0 PLC ±		K. Mattheeuws	
1 PLC ±		APVD	19APR2001
2 PLC ±		R. Leeman	
3 PLC ±		PRODUCT SPEC	-
4 PLC ±		APPLICATION SPEC	-
ANGLES ±		WEIGHT	-

MATERIAL		FINISH	
-		-	
		Tyco Electronics	
		Oostkamp - Belgium	
NAME			
High current plug with PCB connection			
SIZE	CAGE CODE	DRAWING NO	RESTRICTED TO
A 4	00779	©=2-1393589-2	-
CUSTOMER DRAWING		SCALE	SHEET 1 OF 1
		5/1	REV A

MATERIAL		FINISH	
-		-	
		Tyco Electronics	
		Oostkamp - Belgium	
NAME			
High current plug with PCB connection			
SIZE	CAGE CODE	DRAWING NO	RESTRICTED TO
A 4	00779	©=2-1393589-2	-
CUSTOMER DRAWING		SCALE	SHEET 1 OF 1
		5/1	REV A