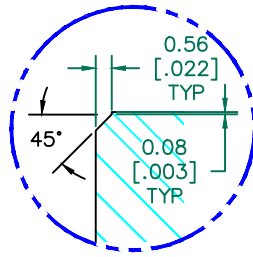


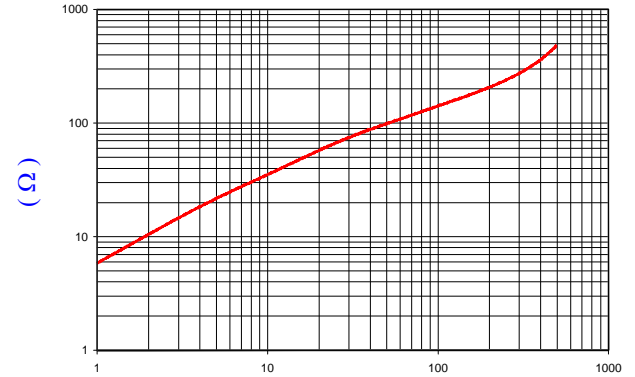
SECTION A-A



DETAIL "A"
SCALE: 4:1

IMPEDANCE (Z)			
Frequency	25 MHz	100 MHz	300 MHz
Nominal (REF)	68 Ω	140 Ω	270 Ω
Minimum	- Ω	112 Ω	- Ω

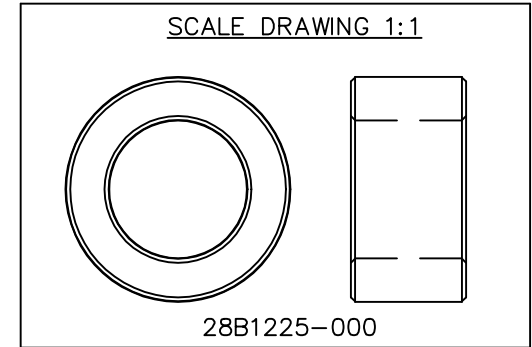
Z vs. FREQUENCY
(REF. ONLY)



FREQUENCY (MHz)

AGILENT E4991A Impedance/Material Analyzer
HP 16092A Test Fixture

SCALE DRAWING 1:1



NOTES: UNLESS OTHERWISE SPECIFIED

1. COSMETIC SPECIFICATION REFER TO WI-QA-038.

FERRITE CORE DIMENSIONS (SPEC): mm/inches

A	31.12 [1.225]	±	0.61 [.024]
B	19.05 [.750]	±	0.40 [.016]
C	15.93 [.627]	±	0.40 [.016]

WEIGHT/1000 37.16 kgs 81.93 Lbs.

DIMENSIONS ARE IN mm (INCHES).				This print is the property of Laird Tech. and is loaned in confidence subject to return upon request and with the understanding that no copies shall be made without the written consent of Laird Tech. All rights to design or invention are reserved.				
J	UPDATE COMPANY LOGO	05/22/15	QIU					
H	CHANGE P/N REMOVE COATING SPECS	08/15/03	JRK	PROJECT/PART NUMBER: 28B1225-000		REV	J	DRAWN BY: DJB
G	UPDATE FORMAT, Z SPECS, ADD CURVE CHG P/N WAS 000 ADD COATING SPECS	07/22/03	JRK					
F	CHG P/N WAS 00* REM COATINGS ADD DETAIL A	07/31/02	JRK	DATE: 05/21/93		SCALE: 1.5 : 1		MATERIAL: FERRITE
E	CHG P/N FROM -000 ADD COATING SPECS	03/24/99	IS					
D	UPDATED P/N FOR NEW CATALOG	09/25/95	JBE	CAD # 28B1225-000-J		TOOL # B1225		
C	ADDED NOTE TO COVER SHEET	12/08/93	JAZ					
B	CHG THICKNESS, IMPED, WK/K	06/30/93	DJB	INT				
REV	DESCRIPTION	DATE	INT					