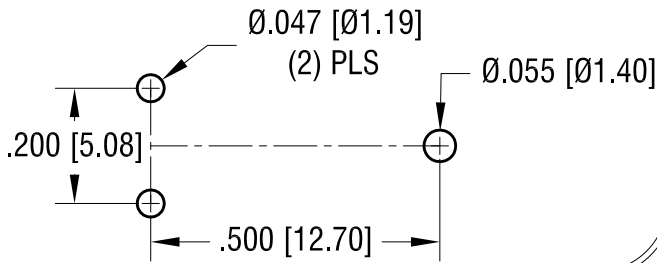
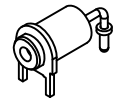


THIS DOCUMENT IS THE PROPERTY OF KEYSTONE ELECTRONICS CORP. AND SHALL NOT BE REPRODUCED, DISTRIBUTED OR USED AS A BASIS FOR MANUFACTURE WITHOUT PRIOR WRITTEN PERMISSION FROM KEYSTONE ELECTRONICS CORP.

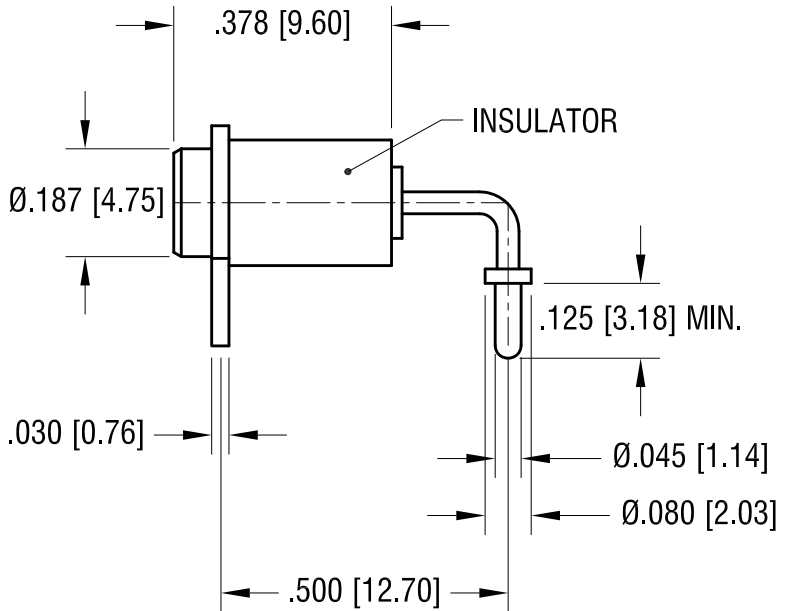
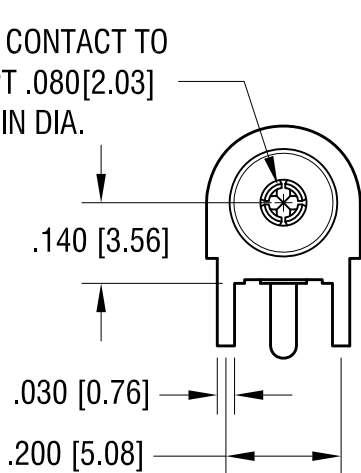
MOUNTING DETAIL



ACTUAL SIZE



SPRING CONTACT TO ACCEPT .080[2.03] PIN DIA.



NOTES:

1. TERMINAL JACK: MAT'L - BERYLLIUM COPPER (QQ-C-533)
2. BUSHING: MAT'L - PTFE
3. MOUNTING BRACKET: MAT'L - BRASS

PART NO.	COLOR
11016	WHITE
11016-R	RED
11016-B	BLACK

8.17.21	CHANGE AS PER ECN 21-088	A
DATE	DESCRIPTION	REV.

KEYSTONE ELECTRONICS CORP.
 www.keyelco.com • NEW HYDE PARK, NY 11040 • Tel (516) 328-7500

PART NAME
HORIZONTAL INSULATED TEST JACK

MATERIAL
AS NOTED

FINISH GOLD PLATE	DRN BY NT	DATE 7.10.07
	APP'D RH	SCALE 3X

TOLERANCES INCH [MM]
 DECIMAL ± .005 [± 0.13]
 ANGULAR ± 1°
 UNLESS OTHERWISE SPECIFIED

CODE
C

DWG NO.
11016-