



800-824 MHz Cavity Bandpass Filter

Part Number: AB815B899

ANATECH ELECTRONICS INC
RF & Microwave Filters & Products



Electrical specifications

Passband Range: 800-824 MHz
Passband Insertion Loss: <1.1 dB
Passband Ripple: <0.6 dB P-T-P
Rejection 1: @DC-800 MHz 50 dB min, 60 dB typ
Rejection 2: @passband +/- 4 MHz 30 dB min 35 dB typ
Rejection 3: @840-2400 MHz 50 dB min 55 dB typ
Passband Return Loss: -18 dB max, <1.28:1
Input/Output Impedance: 50 Ohm
RF Power Capability CW: 30 Watts

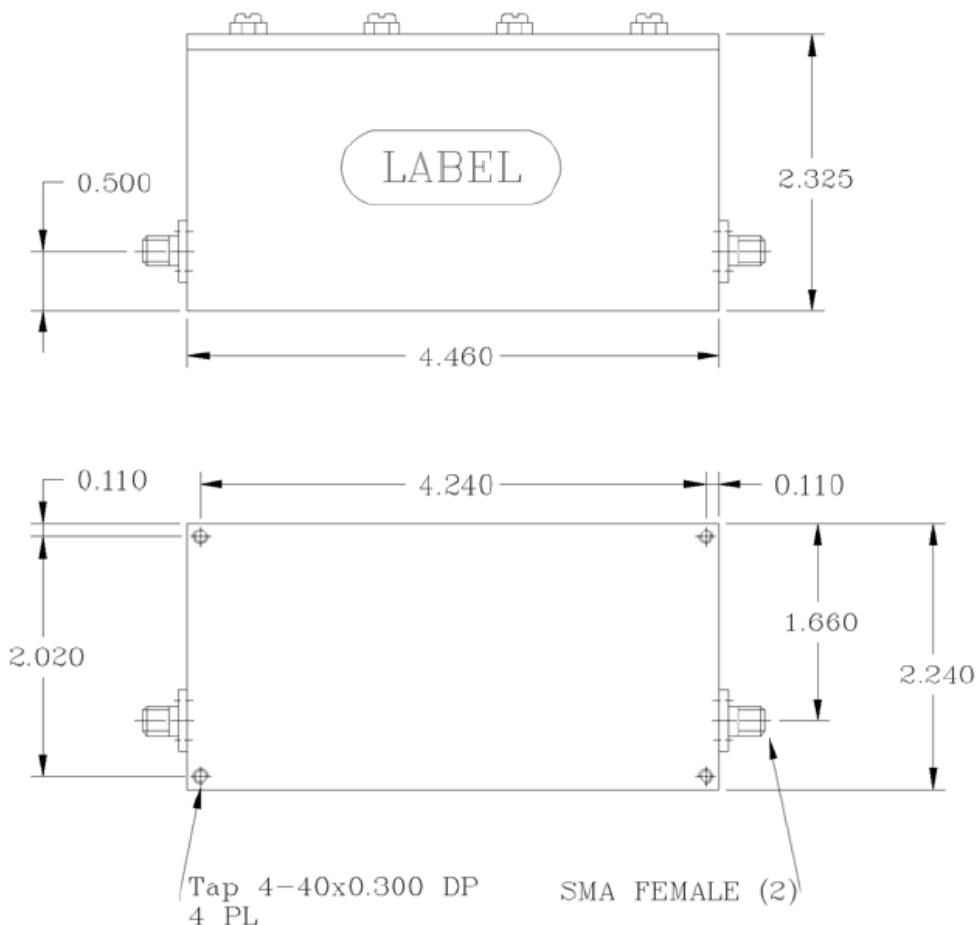
Mechanical

Mounting Method: Threaded Mounting Holes
Connector Type: SMA Female
Dimensions: 4.60" X 2.24" X 2.32" in

Environmental

Operating Temperature: -45 to +85° C
Storage Temperature: -55 to +95° C
Shock: 20 G. 11ms
Vibration: 20 G. 5 to 200 MHz

Outline Drawing:





800-824 MHz Cavity Bandpass Filter

Part Number: AB815B899

ANATECH ELECTRONICS INC
RF & Microwave Filters & Products



Plot:

