

Features

- Ultra-low power Real-Time Clock (RTC) with power-fail detect and battery management
- Low power timer and power manager extend run time in battery-powered systems
- Controls 4.1V rechargeable micro-batteries and 3.2V rechargeable coin cells and supercaps; no off-chip components required for battery charger
- Buck charge pump extends backup battery life:
 - 15nA RTC using internal RC oscillator
 - 50nA RTC using crystal oscillator
- Counters for hundredths, seconds, minutes, hours, date, month, year, century, and weekdays based on a 32.768KHz crystal oscillator or internal RC oscillator
- Automatic leap year calculation
- Alarm capability on all counters
- Two configurable multi-use outputs for interrupts, output clock, and managing sleep mode of external devices
- 64 bytes of RAM
- Internal temperature measurement with 10-bit ADC enables oscillator temperature compensation and temperature read-out
- Advanced crystal calibration to ± 1 ppm
- Ultra-low Iq VIN POR circuit (< 25nA)
- Fixed indicators for PGOOD, charging current on, and charging disabled
- Temperature range -40°C to +85°C
- Serial communication: I²C-bus and SPI options
- Lead-free and halogen-free

Applications

- **Power bridging** to provide uninterruptible RTC function during exchange of main batteries.
- **Consumer appliances** - CBC921 controls switchover from main supply to backup battery.
- **Ultra-low power timer** draws only 15nA
- **Wireless sensors and RFID tags** and other powered, low duty cycle applications.
- **Business and industrial systems** such as: network routers, point-of-sale terminals, single-board computers, test equipment, multi-function printers, industrial controllers, and utility meters.
 - Reliable system timekeeping
 - Battery-powered devices
 - Internet of Things, portable devices
 - Daily alarms



3mm x 3mm x 0.55mm 16-pin MLPQ Package

General Description

The CBC921xx combines a real-time clock (RTC) with a backup battery charger and other power management features. In the event of an outage of the primary power source, automatic switchover to the backup battery enables extended timekeeping and optionally provides power to external devices to maintain their operation during the power outage.

In normal operation the RTC function is supported by a primary power source, which can be a battery cell, multiple alkaline batteries, or a regulated power supply ranging from 2.85V to 5.5V. The backup battery is charged with a temperature-compensated voltage derived from the primary voltage source. The backup battery charging is refreshed with a configurable schedule and temperature-dependent duty cycle, both of which are designed to increase service life of the backup battery while minimizing power consumption from the main power source.

The circuit can be used in applications to provide an uninterrupted continuous time clock, calendar function, and time-based interrupts or alarms for wake up from sleep to active mode operation with adjustable intervals to save power in the overall system.

The power management has a low quiescent current and high efficiency for backup battery charging. The RTC circuit has very low quiescent current to extend the RTC run time. The RTC has 2ppm accuracy for clock, calendar, alarm, clock outputs, and interrupt functions. An open drain internal power switch is controlled by interrupts and a sleep manager to facilitate power saving by disconnecting main power from external devices according to user-defined schedules.

Contents

Pin Configuration (MLPQ-UT16).....	2
Part Numbers	2
Absolute Maximum Ratings	3
Thermal Characteristics	4
Electrical Characteristics.....	4
Pin Descriptions.....	7
Block Diagram.....	9
Functional Description	10
Operating Modes and Transitions	10
VDD Mode Entry Sequence	10
Registers and RTC Management	11
Oscillator Selection and Verification	12
I ² C Interface.....	12
Limitations to the I ² C Specifications	12
Slave I ² C Address Assignment.....	12
Supported Formats.....	12
(1) Direct Format — Write	13
(2) Combined Format — Read.....	13
(3) Stop Separated Reads	13
Battery Charging.....	15

Temperature Measurements and Usage	15
Application Information	16
VOUT Pin Capacitance	16
Register and Memory Map	17
Register Settings.....	20
Summary of Interrupts and Timers	20
Register Descriptions:	20
Alarm Registers 0x08-0x0E.....	24
Flag Register 0x0F (Read/Clear-Only)	25
Control Registers 0x10-0x11.....	25
Interrupt Mask Register 0x12	27
Clock Output Control Register 0x13.....	30
Real-Time Clock Calibration Registers: 0x14-0x16.....	31
Sleep Control Register 0x17.....	34
Timer Management Registers 0x18-0x1A.....	36
Charging Control Register 0x1B	38
Oscillator and RTC Configuration Registers 0x1C.....	40
Status Register 0x1D (Read-Only).....	41
Data Transfer Registers 0x22-0x23	42
Battery Management Configuration Registers 0x24.....	43
Appendix: Charging Duty Cycle Tables.....	44
Outline Drawing - 3x3 MLPQ-UT16.....	45

Land Pattern - 3x3 MLPQ-UT16 46

Figures

Figure 1: Typical application circuit for CBC921XXC1..... 1

Figure 2: PMRTC block diagram for bare-die version packaged with a battery..... 9

Figure 4 Power States and Operating Mode Transitions 10

Figure 5: VDD Mode Start Up and Shutdown Sequence..... 10

Figure 6: Bit Transfer on the I2C Bus..... 12

Figure 7: I2C Start Stop Protocol 12

Figure 9: Block diagram for oscillator calibration functionality. Yellow blocks are registers. 33

Figure 10: State diagram representing the sleep state controller and associated features..... 36

Tables

Table 1: Functions of PWS/nIRQ2 pin determined by OUT2S Register Bits 27

Table 2:Functions of nPGD/nIRQ pin determined by OUT1S Register Bits..... 27

Table 3: Alarm Interrupt signal duration as determined by setting of IM register bits 29

Table 4: Square Wave Output Frequency vs. SQFS Register Setting 30

Table 5: Calibration timer clock selections as determined by 0x16 B7:B5 and OMODE (0x1D B4)..... 34

Table 6: Alarm modes determined by ALMODE. X indicates alarm register selected for match detection 37

Table 7:Countdown Timer frequency settings for CDTFREQ values 38

Table 8:Charging Times and Frequencies for full temperature range vs. CHGFREQ and CHGTEMP values..... 39

Table 9: Battery Cutoff Monitoring Frequency Interval (seconds) for settings of BCMFREQ register bits..... 43

Table 10:Charging duty cycles for charge frequency configurations and errors relative to target duty cycles 44

Typical Application Circuit

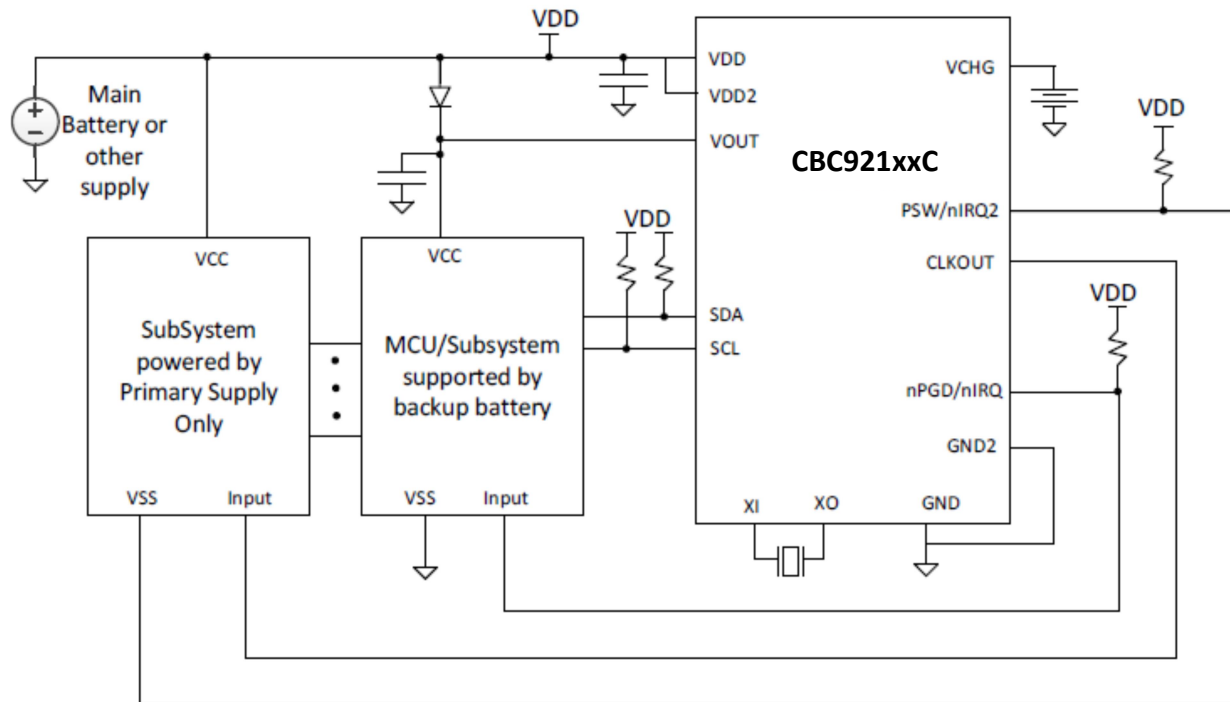
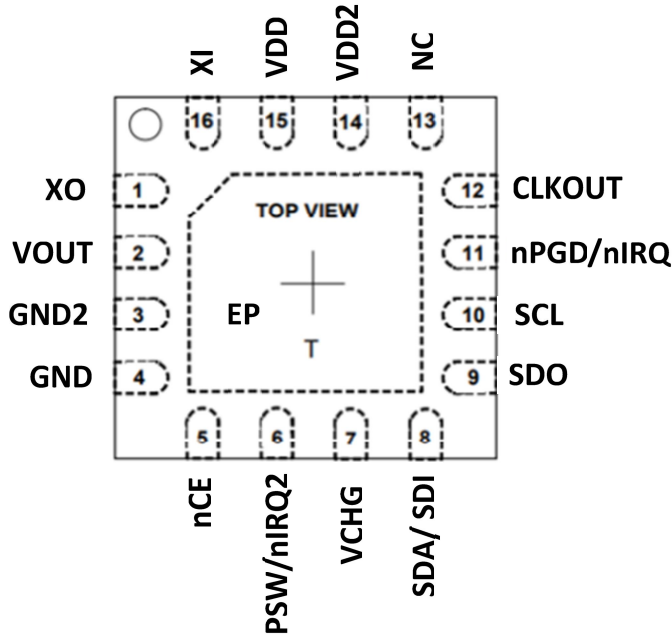


Figure 1: Typical application circuit for CBC921xxC

Part Numbers

Pin Configuration (MLPQ-UT16)



Part Number	RTC	PM	I/F	Charge Voltage
CBC92100C	Y		I ² C	
CBC92100P	Y		SPI	
CBC92032C		Y	I ² C	3.2V
CBC92041C		Y	I ² C	4.1V
CBC92032P		Y	SPI	3.2V
CBC92041P		Y	SPI	4.1V
CBC92132C	Y	Y	I ² C	3.2V
CBC92141C	Y	Y	I ² C	4.1V
CBC92132P	Y	Y	SPI	3.2V
CBC92141P	Y	Y	SPI	4.1V

CBC92XYZ Part Numbering	
X	1=RTC included, 0=no RTC
YY	Maximum battery charging voltage (x 10), 00=no battery management included
Z	C=I ² C, P=SPI

Absolute Maximum Ratings

Parameter	Symbol	Value	Units
External Supply Input (VDD)	V_{DD} to V_{GND}	-0.3 to +6.0	V
Battery Connection Pin (VCHG)	V_{CHG} to V_{GND}	-0.3 to +4.15	V
Supply Output Voltage Pin (VOUT)	V_{OUT} to V_{GND}	-0.3 to +6.0	V
XI, XO pins in VDD Mode	V_{XT_VDD} to V_{GND}	-0.3 to VDD +0.3	V
XI, XO pins in Backup Mode	V_{XT_BAT} to V_{GND}	-0.3 to VCHG +0.3	V
VDD2 pin to VDD pin	V_{DD2} to V_{DD}	-0.3 to +0.3	V
GND2 pin to GND pin	V_{GND2} to V_{GND}	-0.3 to +0.3	V
SCL, SDA/SDI, PSW/nIRQ2, nPGD/IRQ, nCE pins	V_{IO1} to V_{GND}	-0.3 to +6.0	V
CLKOUT and SDO pins, in Backup and VDD Modes	V_{IO2} to V_{GND}	-0.3 to VDD +0.3	V
PSW/nIRQ2 pin current	I_{PSW}	200	mA
ESD Protection Level (HBM), VCHG pin ⁽¹⁾	V_{CHG_ESD} to V_{GND}	TBD	kV
ESD Protection Level (HBM), all other pins ⁽¹⁾	V_{IO_ESD} to V_{GND}	2	kV
Operating Temperature	T_J	-40 to +85	°C
Storage Temperature	T_{STG}	-65 to +150	°C

Notes:

Exceeding the above specifications may result in permanent damage to the device or device malfunction. Operation outside of the parameters specified in the Electrical Characteristics section is not recommended.

Notes:

(1): Tested according to JEDEC standard JESD22-A114-B. No ESD protection is guaranteed on the VCHG pin.

Thermal Characteristics

Parameter	Symbol	Value	Units
Thermal Impedance ⁽²⁾	$R_{\theta JA}$	50	°C/W

Notes:

(2): Calculated from package in still air, mounted to 3 x 4.5 (in), 4 layer FR4 PCB per JESD51 standards.

Electrical Characteristics

Unless otherwise specified: $T_j < 85^\circ\text{C}$, $-40^\circ\text{C} < T_A < +85^\circ\text{C}$, VDD = 3.6 V, 1uF VDD to GND. Typical values are for $T_A = +25^\circ\text{C}$

Parameter	Symbol	Conditions	Min.	Typ.	Max.	Units
Supply Range						
VDD Supply Voltage Range	Vdd		VPOR_rising_ MAX		5.5	V
VDD Power-on Reset Rising Threshold	VPOR_rising	Backup to VDD mode entry threshold.		2.7	2.85	V
VDD Power-on Reset Falling Threshold	VPOR_falling	Battery backup entry threshold.	2.5			V
VDD Power-on Reset Threshold Hysteresis	VPOR_hysteresis	VPOR_rising - VPOR_falling.	90	125	170	mV
VDD POR rising indicator delay, from cutoff mode	TdPGD_cutoff	Measured from VDD crossing VPOR_rising to the falling edge of the nPGD/nIRQ pin, VCHG=2.5V.		300		ms
VDD POR rising indicator delay, from backup mode	TdPGD_backup	Measured from VDD crossing VPOR_rising to the falling edge of the nPGD/nIRQ pin, VCHG=4V.		80		ms
Battery Charging Delay Time	TdCHG_rising	Measured from falling edge of the nPGD/nIRQ pin to rising edge of CHG pin.		40		ms
VOOUT Cut-in Time Delay	TdVOOUT_rising	Measured from VDD crossing VPOR_falling threshold to the VOOUT switch turn-on.		1		ms
Supply Currents						
VCHG Supply Current, RC Mode, with Cutoff Monitor Inactive	ICHG_RC4	Includes RTC operating in RC mode. 4.1V version. VCHG=4.1V. VDD=0V.		20		nA
VCHG Supply Current, RC Mode, with Cutoff Monitor Inactive	ICHG_RC3	Includes RTC operating in RC mode. 3.2V version. VCHG=3.2V. VDD=0V.		60		nA

Parameter	Symbol	Conditions	Min.	Typ.	Max.	Units
VCHG Supply Current, XT Mode, with Cutoff Monitor Inactive	I _{CHG_Xtal4}	Includes RTC operating in XTAL mode. 4.1V version. VCHG =4.1V. VDD=0V.		50		nA
VCHG Supply Current, XT Mode, with Cutoff Monitor Inactive	I _{CHG_Xtal3}	Includes RTC operating in XTAL mode. 3.2V version. VCHG =3.2V. VDD=0V.		150		nA
VCHG Supply Current, XT Mode, with Cutoff Monitor Active	I _{CHG_XtalMon}	Includes RTC operating in XTAL mode. 4.1V version only. VCHG =4.1V, VDD=0V.		350		nA
VDD Supply Current with Battery Charging	I _{ddCharge}	After POR rising. Excludes battery charging current, but including RTC in Xtal mode. nCE pin held at VDD. SDA/SDI and SCL pins held at VDD or GND. I ² C bus inactive, other I/O's. not		4000		nA
VDD Supply Current with Battery NOT Charging		After POR rising RTC operating in XTAL mode. I2C bus inactive. Other I/O's static. nCE pin held at VDD. SDA/SDI are high or low. No load on CLKOUT/CHGDIS.				
VDD Supply Current in Backup Mode	I _{ddPrePor}	VDD=2.5V.		25		nA
CHG leakage Current, Cutoff Mode	I _{CHG_Cutoff}	VHG=2.5V. VDD=0V. 4.1V version only.		70		pA
Battery Charger						
Battery Charger Output Current	I _{CHG_charge}	VCHG=3V.		50		uA
Battery Charger Output Voltage	VCHG ₄	25°C, VDD > VPOR_rising_MAX, 4.1V version.	4.025	4.075	4.1	V
Battery Charger Output Voltage	VCHG ₃	25°C, VDD > VPOR_rising_MAX, 3.2V version.	3	3.1	3.2	V
Battery Charger Output Voltage TC	VCHGT _{c4}	25°C to 85°C, 4.1V version.		-2.2		mV/degC
Battery Charger Output Voltage TC	VCHGT _{c3}	25°C to 85°C, 3.2V version.		-1.67		mV/degC
Battery Cutoff Threshold	VCHG _{Cutoff}	4.1V version only.	2.7	3	3.3	V
Oscillator						
RC Oscillator Frequency	FRC	Ta=25 °C.		256		Hz

Parameter	Symbol	Conditions	Min.	Typ.	Max.	Units
RC Oscillator Frequency Accuracy	FRC_TOL	Without calibration; supply between 2.9V and 5.5V	-4		+4	%
Crystal oscillation frequency	FXO			32768		Hz
Crystal Internal Load Capacitance	CLINT			2.5		pF
Crystal Negative Resistance	RNEG			520		kΩ
Interface Logic						
Logic Input High Threshold	V _{IH}	VDD=5.5V	1.6			V
Logic Input Low Threshold	V _{IL}	VDD=2.9V			0.4	V
Logic Output High Level	V _{OH}	CMOS outputs				V
Logic Output Low Level	V _{OL}	IL<3mA			0.4	V
Logic Input Leakage	I _{dig_leak}			< 1		nA
Switch On-Resistance						
PSW/nIRQ2/nCHGON Pull Down Resistance	RPSW	I _{load} =100mA		4		Ω
VOUT Switch Resistance	RVOUT	VCHG=4.1V, I _{load} =1μA		1		MΩ
Serial Interface						
I ² C Clock Frequency	FI2C				400	kHz

Pin Descriptions

Pin #	Pin Name	Pin Type	Pin Function (for PM-RTC versions with I ² C or SPI)
1	XO	Analog output (high-Z)	Crystal oscillator connection high-impedance node. Minimize trace length between the crystal and the I.C.
2	VOOUT	Supply Output	Output voltage providing bias to external circuits in backup mode only. Enabled by VOUTEN register bit. A high-resistance switch and series diode feeding this pin limit the output current and protect the battery.
3	GND2	Ground	This pin must be connected to ground (GND).
4	GND	Ground	Ground
5	nCE	Digital Input (CMOS)	Chip Enable for SPI. Connect this pin to ground when using the I ² C version.
6	PSW/nIRQ2	Output - Open Drain	Configurable open-drain output. This pin has a low-resistance switch to ground which can be connected to the ground return of external devices to switch power to those devices. If no interrupt is enabled, PSWEN_WAKE=1, and no other function is configured by the Control Register 2, this pin has the default function of indicating with an active low output if the battery is currently being charged.
7	VCHG	Supply In/Out	Regulated voltage source output for backup battery charging. Power supply input in backup mode. Connect a battery or other energy storage device between this pin and GND.
8	SDA/SDI	Digital I/O - Open Drain	Serial data input/output for I ² C version. Serial data input for SPI version. A pull-up resistor is needed on this bus. A value between 5 KΩ and 100 KΩ is recommended depending on the clock frequency of the serial communications.
9	SDO	Digital Output (CMOS)	Serial data output for SPI version. Leave this pin open when using I ² C version.
10	SCL	Digital Input (CMOS)	I ² C clock/SPI clock
11	nPGD/nIRQ	Output - Open Drain	Configurable PGOOD indicator and interrupt1 output. Initially functions as a power good signal, going to an active-low state when the SC63xxx I/O's are ready. At this time, the pin function may be reconfigured by writing to the OUT1S bit through the serial port. Otherwise, this pin will follow the PGOOD register bit, staying active-low until VDD falls below the POR falling threshold. A pull-up resistor to VDD is required to use this pin. Use a maximum value of 200 MΩ, but a lower value may be needed for higher frequency output selections.
12	CLK OUT	Digital Output - CMOS	Programmable CMOS clock output. Until configured by the clock output control register, this pin has the default function of indicating (with output high) if charging is disabled by either the CHGOFF or CHGRST register bits.

Real-Time Clock/Calendar with Power Manager and Battery Charger

Preliminary

Pin #	Pin Name	Pin Type	Pin Function (for PM-RTC versions with I2C or SPI)
13	NC	Open	Unused pin, not connected to the I.C.
14	VDD2	Supply	This pin must be connected to the VDD pin.
15	VDD	Supply	Main power source input. Can be connected to the main battery or another voltage source. Place decoupling capacitor of at least 0.1uF between VDD and GND close to the I.C.
16	XI	Analog input	Crystal oscillator input; high-impedance node. Minimize trace length between the crystal and the I.C.
17	EP	Exposed Pad	Connect the exposed pad to GND.

Block Diagram

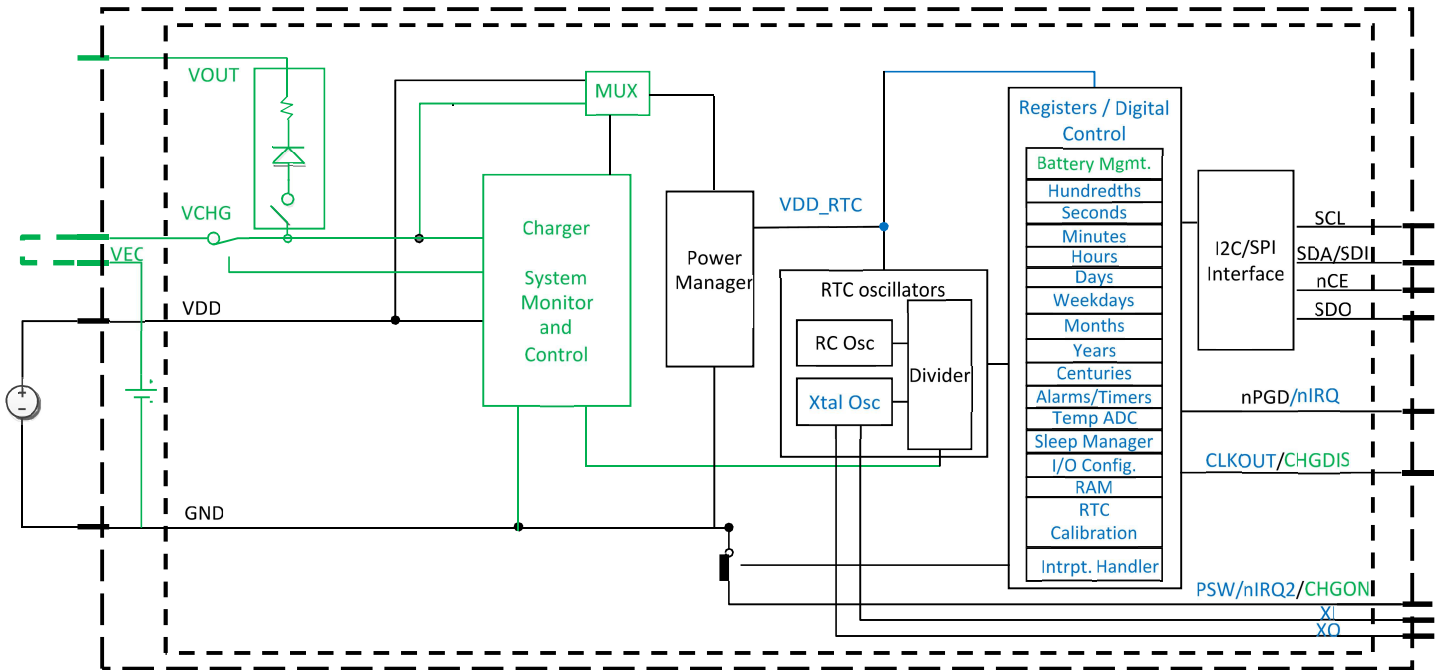


Figure 2: PMRTC block diagram for bare-die version packaged with a battery

Functional Description

Operating Modes and Transitions

The two operating modes of the CBC92141 are normal operation and backup mode. When the VDD pin is below the POR threshold, the CBC92141 is in backup mode. In backup mode, the CBC92141 operates in an ultra-lower power mode from a power source, typically a battery, connected to the VCHG pin to keep the real time clock running and, if requested and configured accordingly, to supply power to an external load at the VOUT pin. The I/O pins are not available in backup mode, so there are no interrupts or serial communications in this mode. The 4.1V version (CBC92141) will shut down to protect the backup battery from over-discharge if the battery voltage falls below the VBatt_off threshold.

The CBC92141 will be in a non-operational cutoff state initially and whenever the battery voltage falls below the cutoff threshold while VDD is also below the POR threshold. VDD must rise above the POR threshold in order to exit the cutoff state. Figure 9 below illustrates the operating mode transitions and power states.

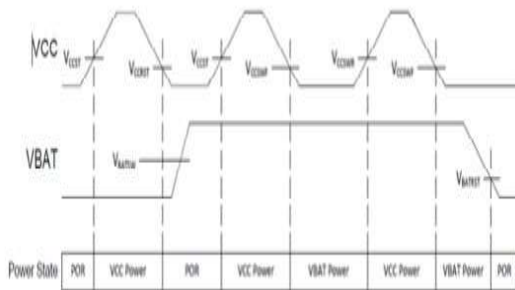


Figure 3 Power States and Operating Mode Transitions

VDD Mode Entry Sequence

When the external VDD supply rises above the POR threshold, the CBC92141 enters normal operation after a delay $T_{d_{PGD}}$, as shown below in Figure 10. The duration of the $T_{d_{PGD}}$ delay depends on whether the CBC92141 is coming out of backup mode or cutoff mode. After the applicable $T_{d_{PGD}}$ delay, the nPGD/nIRQ pin will go to an active-low state, indicating that the CBC92141 has disconnected from the backup battery and that the I/O's are ready for communication and signaling. At this time, the external software should use the serial port to rewrite any application-specific values to registers that are not powered in backup mode. In the case of first-time power-up or coming out of cutoff, all application specific register values should be written at this time. After a delay of approximately 40ms the battery charging controller will begin operation. In normal operation the CBC921 will initially and periodically refresh the charge state of the backup battery with a charging voltage and temperature dependent duty cycle based on die temperature. If the OUT1S register bit is not changed the nPGD/nIRQ pin will continue to follow the PGOOD register bit staying active low until VDD falls below the POR falling threshold.

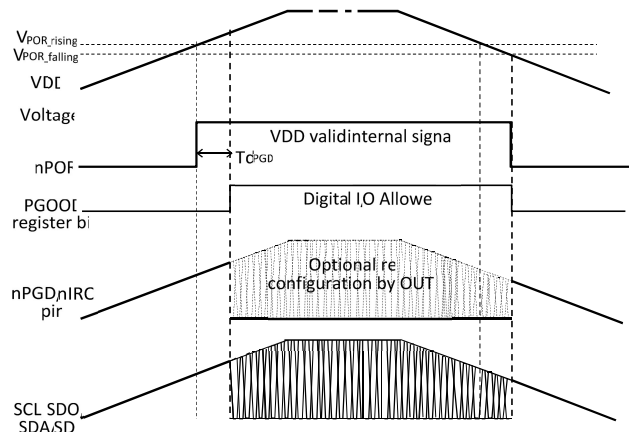


Figure 4: VDD Mode Start Up and Shutdown Sequence

Registers and RTC Management

The RAM and the following registers are powered in backup mode:

- Access Control 0x10
- Charge Control 0x1B
- Battery Management 0x24

The following are both available and backed up only in the feature PMRTC version:

- Time and Alarm 0x00-0x0E
- Flags 0x0F
- Calibration 0x14-16
- Timer Control and Countdown Timer 0x18-19
- OSC and RTC Control 0x1C
- RTC data transfer registers 0x22 and 0x23

If the CBC92141 goes into backup mode while the RTC is stopped (e.g., due to resetting the time), it will be automatically restarted so that the system might determine the duration of the power outage and keep general track of time during the outage even if an adjustment was in process.

voltage and duty cycle that depends on the temperature measured in the CBC92141. If the OUT1S register bit is not changed, the nPGD/nIRQ pin will continue to follow the PGOOD register bit, staying active-low until VDD falls below the POR falling threshold.

Countdown, alarm and calibration timers will continue to run in backup mode, except the countdown timer will not repeat once it sets the CDT flag.

Registers not listed above, including any associated states such as SLEEP, will be reset to their default values, upon entering normal operation (VDD POR), except that the status register will be updated to reflect any pending interrupts resulting from alarm or countdown timer operations that continued through the backup mode. Also, any flags that were not yet cleared when VDD was lost will generate an interrupt upon return of VDD.

Oscillator Selection and Verification

The CBC92141 generates an internal 256 Hz clock from one of two ultra-low power oscillators depending on the on the Operating state and the value of the OSEL bit in the Oscillator Control register. An OSEL bit value of 0 selects the internal 256 Hz oscillator, and a value of 1 selects the 32.786 kHz crystal (XT) oscillator. Upon initial power-up, the RC oscillator is used for timekeeping and internal logic. The OSEL bit can be toggled by the serial communications port to switch between the RC and XT oscillators. The system might do this to reduce power consumption, which is lower using the RC oscillator, or if the system controller detects an XT frequency error well beyond the calibration capabilities of the system. Using the AOS register bit, the CBC92141 can be configured to automatically switch to the RC oscillator upon entering backup mode.

Switching between the XT and RC Oscillators is guaranteed to produce less than 10 milliseconds of error in the Calendar Counters., but this error could accumulate over time if there is frequent switching between the oscillators, as might be done to periodically check the functionality of the XT oscillator.

I²C Interface

The CBC92141C has a slave I²C interface that supports standard and fast mode data rates and combined format operations and is compliant with the I²C standard version 6.0 April 2014.

Limitations to the I²C Specifications

The CBC92141 only recognizes seven bit addressing. This means that ten bit addressing and CBUS communication are not compatible. The device can operate in either standard mode (100kbit/s) or fast mode (400kbit/s).

I²C is a two-wire serial interface where the two lines are serial clock (SCL) and serial data (SDA). SDA must be connected to a positive supply through an external pull-up resistor. The devices communicating on this bus can drive the SDA line low or release it to high impedance. An external device that initiates the I²C transaction becomes the master of the bus. Communication is initiated by the master sending a Start condition, a high-to-low transition on SDA, while the SCL line is high. After the Start condition, the device address byte is sent, most significant bit (MSB) first, including the data communications. The eighth bit is the data direction bit.

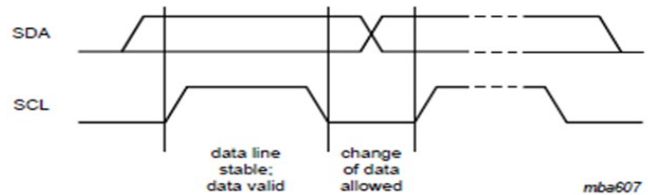


Figure 5: Bit Transfer on the I²C Bus

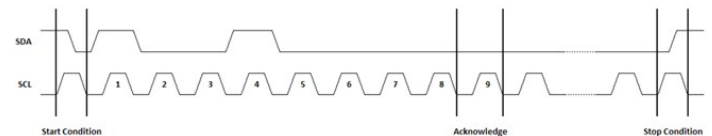


Figure 6: I²C Start Stop Protocol

Slave I²C Address Assignment

The CBC92141 has the slave address byte 1010101x for I²C communications. The eighth bit is the direction bit.

Supported Formats

The supported formats are described in the following subsections and illustrated in the following subsections.

(1) Direct Format — Write

The simplest format for an I²C write is direct format. After the start condition [S], the slave address is sent, followed by an eighth bit indicating a write. The CBC92141C then acknowledges that it is being addressed, and the master responds with an 8 bit data byte consisting of the register address. The slave acknowledges and the master sends the a 8-bit data byte to be written. Once again, the slave acknowledges and the master either terminates the transfer with the stop condition [P], as shown in , or sends additional 8 bit data bytes (each to be acknowledged by the slave) before terminating. Upon writing data to a register, the CBC92141C automatically increments the register address pointer for subsequent data received in the write operation.

(2) Combined Format — Read

After the start condition [S], the slave address is sent, followed by an eighth bit indicating a write. The CBC92141C then acknowledges that it is being addressed, and the master responds with an 8-bit data byte consisting of the target register address. The slave acknowledges and the master sends the repeated start condition [SR]. Once again, the slave address is sent, followed by an eighth bit indicating a read. The slave responds with an acknowledge and the 8 bit data from the target register. If the master then sends an ACK, the slave will auto-increment the register address and send the 8-bit data from the new address. The ACK and auto-increment read may continue until the master terminates the read operation by sending a non-acknowledge (NACK) and terminating the transfer with the stop condition [P]. Figure 14 shows the Combined Format Read operation for the case in which a single byte is read.

(3) Stop-Separated Reads

Stop-separated reads can also be used. This format allows a master to set up the register address pointer for a read and return to that slave at a later time to read the data. In this format the slave address followed by a write command are sent

after a start [S] condition. The CBC92141C then acknowledges it is being addressed, and the master responds with the 8-bit register address. The master sends a stop or restart condition and may then address another slave. After performing other tasks, the master can send a start or restart condition to the CBC92141C with a read command. The device acknowledges this request and returns the data from the register location that had previously been set up as the target.

As with the Combined Format – Read operation, the master can send a NACK and terminate the operation with a stop [P] condition, or it can send an ACK to read more data in one or more serially auto-incremented register locations.

¹ From UM10204, I²C-bus specification and user manual, Rev. 6 — 4 April 2014, NXP Semiconductor

Hundredths Count Generation

The SC63141 generates a very approximate 100 Hz clock from the high-accuracy internal 256 Hz clock and uses this 100 Hz clock to update the hundredths- and tenths-of-a-second time register counts and to offer a 100 Hz clock option for square wave outputs and other timing features. Each cycle of the 100 Hz clock consists of 2 to 4 cycles of the 256 Hz clock. There are 4 cycles of 256 Hz in the first hundredths count period after the clock is reset (once per second). The other 99 hundredths counts consist of 2 or 3 256Hz clock cycles, alternating between 7 counts of 2 x 256Hz clock cycles and 9 counts of 3 x 256Hz clock cycles, with the exception of first set of 2 cycle counts, which includes the extra 2 cycles in the first 100th count. Except for the first cycle of each second, the resulting edge-to-edge clock jitter error is +22/-25%.

Battery Charging

During normal operation, the CBC92141 charges the backup battery (or other energy storage device) connected to the VCHG pin, with a temperature dependent duty-cycle, frequency and charging voltage.

Upon entering normal operation (VDD rising above POR level), the CBC92141 will initially charge the backup battery for at least 72 hours and no more than 96 hours. After this initial charging duration, the SC630001 will periodically run a refresh charging operation to replenish charge lost by battery self-discharge and the leakage current from the circuit connected to the battery. These discharge effects on the battery should be very small but can accumulate over time, especially at higher temperatures, and circuit leakage currents would have a larger impact on a smaller, lower capacity battery. Accordingly, the CBC92141 has registers for the user to configure the charging frequency and to additionally configure an incrementally higher charging frequency at temperatures of +40°C or higher. This configurability enables the user to optimize the trade-offs among power draw from the primary source (at VDD), backup battery run-time, and longer backup battery life, as battery life is typically improved by leaving the battery at a lower state of charge. Also, for applications subject to large temperature changes over the course of a few days or weeks, users may prefer to configure more frequent charging cycles to correct for the effects of temperature on battery voltage. In particular, for the case that the battery is charged at a moderate or low temperature and then the temperature rises above +40C, the next charge cycle will apply the temperature compensated charging voltage and reduce the battery voltage to avoid degradation of the battery. Once a charging cycle begins, the charging frequency and charging on-time are locked in regardless of changes to the Battery Management register. However, the CHGNOW bit can be set to force a VDD POR event, which effectively reboots the charging process, including initial charging, followed by synchronization to the schedule called for in the Battery Management register.

Table 8 in the Battery Management register description section provides the charging frequencies and charger on- times corresponding to the relevant temperature ranges and the user configuration settings of the CHGFREQ and CHGTEMP register bits.

The CBC92141 uses its internal temperature measurements to adjust the voltage applied to the battery. For temperatures of 25°C or less, the charging voltage is set to VBatt. For

temperatures between 25°C and 85°C, a temperature coefficient of Vbattemp_coeff is applied to reduce the charging voltage in 4°C steps to maintain good battery life. If the die temperature increases such that the temperature compensated charging voltage is less than the battery voltage, then the battery charging circuit will (during its scheduled charging on-time period) sink a small amount of current to gradually discharge the battery to the target voltage.

Temperature Measurements and Usage

The CBC92141 includes an internal temperature measurement circuit and a 10-bit ADC to store temperature readings in the TEMPADC registers. Temperature measurements can be used by an external MCU to adjust RTC calibration parameters. The CBC92141 measures the temperature at the beginning of each charge cycle and uses this measurement to set the battery charging voltage, charger on-time, and the charging frequency time interval. This interval defines the delay until the next time that the temperature will be measured and a new charge cycle will begin. As detailed in Table 8, the charging frequency interval can vary from 4 hours to 32 days. The MEAS_TEMP bit in a separate register can be used for external requests to update the temperature measurement. Updating the temperature measurement will update values stored in the TEMPADC registers and will immediately update the temperature-compensation of the charging voltage. However, mid-cycle temperature updates will not affect the charging frequency and charging period, which will only be updated from the temperature measurement at the beginning of the next charge cycle.

Application Information

VOUT Pin Capacitance

The user typically needs to place some holdup capacitance on the VOUT pin to bridge the transition into and out of backup mode. The amount of capacitance needed will depend on the application requirements according to the following equation:

$$C_{VOUT_min} = I_{LOAD_max} * T_{dVOUT_rising (max)} / (V_{POR_falling (min)} - V_{VOUT_min})$$

Where

I_{LOAD_max} is the maximum external loading current on the VOUT bus;

V_{VOUT_min} is the minimum voltage that the application can accept at the VOUT pin during the switch-over transient;

C_{VOUT_min} is the minimum capacitance needed on the VOUT bus;

$T_{dVOUT_rising (max)}$ is the maximum VOUT Cut-in Time delay spec. (See T_{dVOUT_rising} in Electrical Characteristics table.)

V_{VOUT_min} is the maximum external loading of the VOUT pin;

$V_{POR_falling (min)}$ is the minimum falling VDD voltage that will trigger the CBC92141 POR function. (See $V_{POR_falling}$ in Electrical Characteristics table.)

Note that a nominal capacitance of at least twice the minimum value is typically needed with X7* or X5* ceramic capacitors to account for capacitance variation with DC bias voltage, initial tolerance, and temperature tolerance. Check the manufacturers specifications to account for these effects.

In the case of an external power source at VOUT that provides partial support of the loading during the switch-over transient, the minimum capacitance requirement would be reduced based on available charge from the external power source. For example, there might be a battery that is nearly drained but still has some capacity.

Register and Memory Map

Registers are accessed by selecting a register address and then performing read or write operations. The table below lists the contents of each register. Descriptions of register variables follow later in the document. Registers are read/write type unless noted as read-only. "X"'s indicates unused registers, which return a value of zero when read.

Color code: RTC-only bits, PM-only bits. Contents of green highlighted registers are reset to default values on VDD mode entry.

Offset	Reset Value	Register	B7	B6	B5	B4	B3	B2	B1	B0
Time and Date Registers										
0x00	0x00	Hundredths/Tenths	Seconds - Tenths			Seconds - Hundredths				
0x01	0x00	Seconds	X	Second- Tens			Second-ones			
0x02	0x00	Minutes	X	Minutes- Tens			Minutes-ones			
0x03	0x00	Hours (24 Hr Mode)	X	X	Hours-Tens		Hours-ones			
0x03	0x00	Hours (12 Hr Mode)	X	X	AM/ PM	Hour- Tens	Hours-ones			
0x04	0x00	Date	X	X	Date-Tens		Date-Ones			
0x05	0x00	Months	X	X	X	Months- tens	Months-ones			
0x06	0x00	Years	Year - Tens			Year-ones				
0x07	0x00	Weekdays	X	X	X	X	X	Day of Week		
Alarm Registers										
0x08	0x00	Hundredths/Tenths Alarm	Seconds- Alarm - Tenths			Seconds Alarm- Hundredths				
0x09	0x00	Seconds Alarm	X	Seconds ALM Tens			Seconds ALM-ones			
0x0A	0x00	Minutes Alarm	X	Minutes ALM- Tens			Minutes ALM-ones			
0x0B	0x00	Hours Alarm (24 Hr Mode)	X	X	Hours Alarm - Tens		Hours ALM-ones			
0x0B	0x00	Hours Alarm (12 Hr Mode)	X	X	AM/P M	Hrs ALM - Tens	Hours ALM-ones			
0x0C	0x00	Date Alarm	X	X	Date ALM-Tens		Date ALM-Ones			

Real-Time Clock/Calendar with Power Manager and Battery Charger

Preliminary

0x0D	0x00	Months Alarm	X	X	X	Months ALM-Tens	Months ALM-ones	
0x0E	0x00	Weekdays ALM	X	X	X	X	X	Day of Week Alarm
0x1C	0x00	RTC and OSC Control	OSEL	12/24	X	CENT	AOS	X
0x1D	0x00	Stas Read Only	PSWON	12/24	X	CENT	AOS	X

Off-set	Reset Value	Register	7	6	5	4	3	2	1	0
		Color coding of default (reset) values	pre-NVM load	RTC-only version	PM-only version	full-feature version (applies to all if not otherwise specified)				
		PM enabled trim bit	0	0	1	1				
		RTC enabled trim bit	0	1	0	1				
		color-code for register defaults	red	blue	green	black				
0x0F	0x00	<u>Flags_</u> (Read/Clear-Only)	SLST	XTOF	X	X	CDT	ALM	X	X
0x10	0x00	Access Control	STOP	X	x	x	X	X	WBATMAN	WRTC
0x11	0x00	Output Control	X	OUTA	OUTB	OUT2S			OUT1S	
0x12	0x00 0xEC 0x02 0xEC	Interrupt Mask	OFIE	IM		X	CDTIE	AIE	ENPSW_WAKE	X
0x13	0x0B (all cases)	Clock Output Control	SQWE	CLKOUT_EN	FOUT_EN	x	SQFS			
0x14	0x00	<u>XT Calibration Configuration</u>	XTCAL_POL	XTCAL_INIT						
0x15	0x00	<u>RC Calibration Configuration</u>	RCCAL_POL	RCCAL_INIT						
0x16	0x00	<u>Oscillator Calibration Ranges</u>	XTCAL_CLK		RCCAL_CLK	X				
0x17	0x00	Sleep Control	SLP	SLIRQ1	SLIRQ2	SLPORT	SLCLK	SLTO		
0x18	0x00	<u>Timer Control</u>	CDTE	CDRPT	ALMODE				CDTFREQ	
0x19	0x00	<u>Countdown Timer</u> (Read-only)	CDTIME = Countdown Timer Value							
0x1A	0x00	Countdown Initial	CDTINIT = Countdown Timer Initial Value							
0x1B	0x80 0x80 0x09 0x09	<u>Charge Control</u>	CHGOFF	CHGNOW	CHGRST	X	CHGFREQ		CHGTEMP	

Register Settings

Summary of Interrupts and Timers

Note: Flags must be cleared for respective interrupt to be re-generated on repeat timer events.

Interrupt	Function	Interrupt Enabler	Duration	Timer Enabler	Flag
AIRQ	Alarm Match	AIE	Determined by IM (0x12 B6:B5)	ALMODE	ALM
TIRQ	Countdown Timer	CDTIE	Determined by IM (0x12 B6:B5)	CDTE	CDT
OFIRQ	Oscillator Failure	OFIE	Level held until flag is cleared	N/A	XTOF
IRQ	AIRQ or TIRQ or OFIRQ				

Register Descriptions:

Clock/Calendar Registers

Note: WRTC must be set to 1 to allow writing to clock/calendar registers 0x01-0x07

Offset	Bits	Register	Description
0x00	B7:B4	Seconds - Tenths	The tens digits of the hundredths of seconds approximation. See hundredths below.

0x00	B3:B0	Seconds - Hundredths							
0x001	B7	Not Used	Minutes/Seconds Registers BCD Table						
0x01	B6:B4	Seconds - Tens	Decimal Time Count	Tens			Ones		
				B6	B5	B4	B3	B2	B1
			40	20	10	8	4	2	1
			0	0	0	0	0	0	0
			1	0	0	0	0	0	1
			2	0	0	0	0	1	0
			...						
			9	0	0	0	1	0	1
			10	0	0	1	0	0	0
			11	0	0	1	0	0	1
			12	0	0	1	0	0	1
			13	0	0	1	0	0	1
			...						
			57	1	0	1	0	1	1
			58	1	0	1	1	0	0
			59	1	0	1	1	0	1

0x03	B7:B6	Not Used	24-Hour Mode							12-hour mode								
0x03	B5:B4	Hours-Tens (24-hour mode)	24-hour count	Hours-Tens			Hours-Ones				12-hour count	AM/PM	Hours-Tens		Hours-Ones			
				B5	B4	B3	B2	B1	B0	B4			B3	B2	B1	B0		
			20	10	8	4	2	1				10	8	4	2	1		
			0	0	0	0	0	0				12	0	1	0	0	1	0
			1	0	0	0	0	0	1			1	0	0	0	0	1	
			2	0	0	0	0	1	0			2	0	0	0	0	1	0
								
			9	0	0	1	0	0	1			9	0	0	1	0	0	1
			10	0	1	0	0	0	0			10	0	1	0	0	0	0
			11	0	1	0	0	0	1			11	0	1	0	0	0	1
			12	0	1	0	0	1	0			12	0	1	0	0	1	0
			13	0	1	0	0	1	1			1	0	0	0	0	0	1
								
			19	0	1	1	0	0	1			7	0	0	0	1	1	1
			20	1	0	0	0	0	0			8	0	0	1	0	0	0
			21	1	0	0	0	0	1			9	0	0	1	0	0	1
			22	1	0	0	0	1	0			10	0	1	0	0	0	0
			23	1	0	0	0	1	1			11	0	1	0	0	0	1

0x04	B7:B6	Not Used	<table border="1"> <thead> <tr> <th colspan="7">Days Register BCD Table</th> </tr> <tr> <th rowspan="2">Date</th> <th colspan="2">Tens</th> <th colspan="4">Ones</th> </tr> <tr> <th>B5</th> <th>B4</th> <th>B3</th> <th>B2</th> <th>B1</th> <th>B0</th> </tr> </thead> <tbody> <tr><td>1</td><td>0</td><td>0</td><td>0</td><td>0</td><td>0</td><td>1</td></tr> <tr><td>2</td><td>0</td><td>0</td><td>0</td><td>0</td><td>1</td><td>0</td></tr> <tr><td>...</td><td></td><td></td><td></td><td></td><td></td><td></td></tr> <tr><td>9</td><td>0</td><td>0</td><td>1</td><td>0</td><td>0</td><td>1</td></tr> <tr><td>10</td><td>0</td><td>1</td><td>0</td><td>0</td><td>0</td><td>0</td></tr> <tr><td>11</td><td>0</td><td>1</td><td>0</td><td>0</td><td>0</td><td>1</td></tr> <tr><td>12</td><td>0</td><td>1</td><td>0</td><td>0</td><td>1</td><td>0</td></tr> <tr><td>13</td><td>0</td><td>1</td><td>0</td><td>0</td><td>1</td><td>1</td></tr> <tr><td>...</td><td></td><td></td><td></td><td></td><td></td><td></td></tr> <tr><td>26</td><td>1</td><td>0</td><td>0</td><td>1</td><td>1</td><td>0</td></tr> <tr><td>27</td><td>1</td><td>0</td><td>0</td><td>1</td><td>1</td><td>1</td></tr> <tr><td>28</td><td>1</td><td>0</td><td>1</td><td>0</td><td>0</td><td>0</td></tr> <tr><td>29</td><td>1</td><td>0</td><td>1</td><td>0</td><td>0</td><td>1</td></tr> <tr><td>30</td><td>1</td><td>1</td><td>0</td><td>0</td><td>0</td><td>0</td></tr> <tr><td>31</td><td>1</td><td>1</td><td>0</td><td>0</td><td>0</td><td>1</td></tr> </tbody> </table>	Days Register BCD Table							Date	Tens		Ones				B5	B4	B3	B2	B1	B0	1	0	0	0	0	0	1	2	0	0	0	0	1	0	...							9	0	0	1	0	0	1	10	0	1	0	0	0	0	11	0	1	0	0	0	1	12	0	1	0	0	1	0	13	0	1	0	0	1	1	...							26	1	0	0	1	1	0	27	1	0	0	1	1	1	28	1	0	1	0	0	0	29	1	0	1	0	0	1	30	1	1	0	0	0	0	31	1	1	0	0	0	1
Days Register BCD Table																																																																																																																																
Date	Tens			Ones																																																																																																																												
	B5	B4		B3	B2	B1	B0																																																																																																																									
1	0	0		0	0	0	1																																																																																																																									
2	0	0		0	0	1	0																																																																																																																									
...																																																																																																																																
9	0	0		1	0	0	1																																																																																																																									
10	0	1		0	0	0	0																																																																																																																									
11	0	1		0	0	0	1																																																																																																																									
12	0	1		0	0	1	0																																																																																																																									
13	0	1		0	0	1	1																																																																																																																									
...																																																																																																																																
26	1	0		0	1	1	0																																																																																																																									
27	1	0		0	1	1	1																																																																																																																									
28	1	0		1	0	0	0																																																																																																																									
29	1	0		1	0	0	1																																																																																																																									
30	1	1		0	0	0	0																																																																																																																									
31	1	1		0	0	0	1																																																																																																																									
0x04	B5:B4	Date (Tens)																																																																																																																														
0x04	B3:B0	Date (Ones)																																																																																																																														
0x05	B7:B5	Not Used	<table border="1"> <thead> <tr> <th colspan="7">Months Register BCD Table</th> </tr> <tr> <th rowspan="3">Month</th> <th colspan="2">Tens</th> <th colspan="4">Ones</th> </tr> <tr> <th>B5</th> <th>B4</th> <th>B3</th> <th>B2</th> <th>B1</th> <th>B0</th> </tr> <tr> <th>20</th> <th>10</th> <th>8</th> <th>4</th> <th>2</th> <th>1</th> </tr> </thead> <tbody> <tr><td>January</td><td>0</td><td>0</td><td>0</td><td>0</td><td>0</td><td>1</td></tr> <tr><td>February</td><td>0</td><td>0</td><td>0</td><td>0</td><td>1</td><td>0</td></tr> <tr><td>March</td><td>0</td><td>0</td><td>0</td><td>0</td><td>1</td><td>1</td></tr> <tr><td>April</td><td>0</td><td>0</td><td>0</td><td>1</td><td>0</td><td>0</td></tr> <tr><td>May</td><td>0</td><td>0</td><td>0</td><td>1</td><td>0</td><td>1</td></tr> <tr><td>June</td><td>0</td><td>0</td><td>0</td><td>1</td><td>1</td><td>0</td></tr> <tr><td>July</td><td>0</td><td>0</td><td>0</td><td>1</td><td>1</td><td>1</td></tr> <tr><td>August</td><td>0</td><td>0</td><td>1</td><td>0</td><td>0</td><td>0</td></tr> <tr><td>September</td><td>0</td><td>0</td><td>1</td><td>0</td><td>0</td><td>1</td></tr> <tr><td>October</td><td>0</td><td>1</td><td>0</td><td>0</td><td>0</td><td>0</td></tr> <tr><td>November</td><td>0</td><td>1</td><td>0</td><td>0</td><td>0</td><td>1</td></tr> <tr><td>December</td><td>0</td><td>1</td><td>0</td><td>0</td><td>1</td><td>0</td></tr> </tbody> </table>	Months Register BCD Table							Month	Tens		Ones				B5	B4	B3	B2	B1	B0	20	10	8	4	2	1	January	0	0	0	0	0	1	February	0	0	0	0	1	0	March	0	0	0	0	1	1	April	0	0	0	1	0	0	May	0	0	0	1	0	1	June	0	0	0	1	1	0	July	0	0	0	1	1	1	August	0	0	1	0	0	0	September	0	0	1	0	0	1	October	0	1	0	0	0	0	November	0	1	0	0	0	1	December	0	1	0	0	1	0															
Months Register BCD Table																																																																																																																																
Month	Tens			Ones																																																																																																																												
	B5	B4		B3	B2	B1	B0																																																																																																																									
	20	10		8	4	2	1																																																																																																																									
January	0	0		0	0	0	1																																																																																																																									
February	0	0		0	0	1	0																																																																																																																									
March	0	0		0	0	1	1																																																																																																																									
April	0	0		0	1	0	0																																																																																																																									
May	0	0		0	1	0	1																																																																																																																									
June	0	0		0	1	1	0																																																																																																																									
July	0	0		0	1	1	1																																																																																																																									
August	0	0		1	0	0	0																																																																																																																									
September	0	0	1	0	0	1																																																																																																																										
October	0	1	0	0	0	0																																																																																																																										
November	0	1	0	0	0	1																																																																																																																										
December	0	1	0	0	1	0																																																																																																																										
0x05	B4	Months-tens																																																																																																																														
0x05	B3:B0	Months-ones																																																																																																																														

0x06	B7:B4	Years-tens	Years Register BCD Table								
				Years-Tens				Hours-Ones			
				B7	B6	B5	B4	B3	B2	B1	B0
				80	40	20	10	8	4	2	1
			0	0	0	0	0	0	0	0	0
			1	0	0	0	0	0	0	0	1
			2	0	0	0	0	0	0	1	0
			...								
			9	0	0	0	0	1	0	0	1
			10	0	0	0	1	0	0	0	0
			11	0	0	0	1	0	0	0	1
			12	0	0	0	1	0	0	1	0
			13	0	0	0	1	0	0	1	1
...											
0x06	B3:B0	Years-ones	19	0	0	0	1	1	0	0	1
			20	0	0	1	0	0	0	0	0
			21	0	0	1	0	0	0	0	1
			22	0	0	1	0	0	0	1	0
			23	0	0	1	0	0	0	1	1
			24	0	0	0	1	0	0	1	0
			...								
			96	1	0	0	1	0	1	1	0
			97	1	0	0	1	0	1	1	1
			98	1	0	0	1	1	0	0	0
99	1	0	0	1	1	0	0	1			
0x07	B2:B0	Day of Week	The 3 day of week register bits comprise a numerical count from 0 to 6 that increments by 1 every 24 hours and then returns to 0 when incrementing from 6. As with the other calendar or clock registers, the user can write a value to this register via the serial port to synchronize it with a preferred calendar system. For example, the user can choose to have 000 represent Sunday or Monday.								

Alarm Registers 0x08-0x0E

0x08-0x0E		Alarm Registers	The data in the alarm registers are organized in the same way as shown above for the time and date registers 0x00-0x07. These registers are written by the host software to set the time and date for the alarm event which occurs when the data in the selected alarm registers (selected by ALMODE) match the corresponding data in the time and date registers.
-----------	--	-----------------	--

Flag Register 0x0F (Read/Clear-Only)

These bits are cleared when this register is read through the serial port. Exception: SLST will not be cleared while SLEEP=1. These bits cannot be set from the serial port. Timer flags (ALM and CDT) must be cleared (by reading) for respective timer event recurrences to trigger an interrupt. Periodic reading of flags may be advised in case an interrupt was not serviced, and especially upon entering VDD mode in case of latent interrupts generated during backup mode operation.

0x0F	B7	SLST	The CBC92141 sets this bit to 1 when it engages the sleep state (after the sleep timer reaches 0.) This bit is NOT automatically reset by the CBC92141. (See SLEEP bit in the status register which is also set to 1 when engaging the sleep state but is automatically reset when an interrupt terminates the sleep state.) This bit is left set to a value of 1 as a record that the system has been in the sleep state. The external software should reset this bit prior to setting the SLP bit for the next sleep period. This bit cannot be cleared while in the sleep state (while SLEEP=1).
0x0F	B6	XTOF	Crystal Oscillator failure flag. The I.C. sets this bit to 1 after an unsuccessful attempt to switch its clock source from the RC oscillator to the crystal oscillator.
0x0F	B5:B4	NOT USED	
0x0F	B3	CDT	The CBC92141 sets this bit to 1 when the TE=1 and the Countdown Timer reaches zero. Flag must be cleared (by reading) for countdown timer event recurrence to trigger an interrupt.
0x0F	B2	ALM	this bit to 1 when the alarm registers selected by ALMODE match the corresponding time and date registers.
0x0F	B1:B0	NOT USED	

Control Registers 0x10-0x11

0x10	B7	STOP	Setting this bit to 1 stops the incrementing of the time and date registers. While this bit is set at least some of the selectable clock outputs may be disabled. Resetting the STOP bit to 0 resumes the incrementing of the time and date registers. Setting STOP to 1 allows the system to write 0 or other desired values to the time and date counters and then restart the counting at a particular time by resetting this bit to 0. Since the battery charging schedule utilizes the RTC registers, while STOP=1, battery charging will be extended if the charger is on or delayed if the charger is off. This bit cannot be written unless WRTC=1.
0x10	B6:B2	NOT USED	
0x10	B1	WBATMAN	Write Battery Management. This bit must be set to 1 in order to write to the Battery Management Register (CHGFREQ, CHGTEMP, and BCMFREQ) or the Charge Control Register (CHGOFF, CHGNOW, and CHGRST).

Real-Time Clock/Calendar with Power Manager and Battery Charger

Preliminary

0x10	B0	WRTC	Write RTC. This bit must be set in order to write the STOP bit, CENT bit, or any of the Counter registers (Hundredths, Seconds, Minutes, Hours, Date, Months, Years or Weekdays). Writing to the RTC registers can affect the battery charging schedule and may even cause a charge cycle to be missed if the charging start time is skipped due to a change of the time. It might be useful to set the CHGNOW bit in this case.
0x11	B7	NOT USED	
0x11	B6	OUTA	This is a static value which may be driven on the nPGD/nIRQ pin, depending on the OUT1S setting. If the OUTA value is selected by OUT1S, a value of 0 pulls the nPGD/nIRQ pin low; whereas a value of 1 leaves this pin open drain.
0x11	B5	OUTB	This is a static default value which may be driven on the PSW/nIRQ2 pin, depending on the OUT2S and ENPSW_WAKE settings. If the OUTB value is selected by OUT2S and enabled by ENPSW_WAKE, a value of 0 pulls the PSW/nIRQ2 pin low using the internal low-resistance switch; whereas a value of 1 leaves this pin open drain, which could disconnect power to external components if the PSW/nIRQ2 pin is being used as a power switch.
0x11	B4:B2	OUT2S	Selects the function of the nIRQ2 pin based on Table 1, assuming both logic states are allowed by ENPSW_WAKE when not in SLEEP.
0x11	B1:B0	OUT1S	Selects the function of the nPGD/nIRQ pin based on Table 2.

Table 1: Functions of PWS/nIRQ2 pin determined by OUT2S Register Bits

0x11 B4	0x11 B3	0x11 B2	Hex value of 0x11 B4:B2 (OUT2S)	PSW/nIRQ2 Pin Function (NOTE: logic low output is forced if ENPSW_WAKE=SLEEP=0 or SLEEP=nSLIRQ2=1)
0	0	0	x0	nIRQ if at least one interrupt is enabled, else nCHGON (default)
0	0	1	x1	SQW if enabled by SQWE=1, else OUTB
0	1	0	x2	AIRQ if AIE is set, else OUTB
0	1	1	x3	nAIRQ if AIE is set, else OUTB
1	0	0	x4	TIRQ if CDTIE is set, else OUTB
1	0	1	x5	nTIRQ if CDTIE is set, else OUTB
1	1	0	x6	SLEEP AND SLIRQ2
1	1	1	x7	OUTB

Table 2: Functions of nPGD/nIRQ pin determined by OUT1S Register Bits

0x11 B1	0x11 B0	Hex value of 0x11 B1:B0 (OUT1S)	nPGD/nIRQ Pin Function
0	0	x0	nPGOOD (default)
0	1	x1	SQW if enabled by SQWE=1 and FOUT_EN =1, else CAL64
1	0	x2	nIRQ if at least one interrupt is enabled, else OUTA
1	1	x3	nAIRQ if AIE is set, else OUTA

Interrupt Mask Register 0x12

0x12	B7	OFIE	(XT) Oscillator Fail interrupt enable. When 1, an Oscillator Failure will generate an OFIRQ signal. An XT oscillator failure would be detected when switching from the RC to the XT oscillator upon request.
0x12	B6:B5	IM	Interrupt Mode. This value controls the duration of the interrupt signals AIRQ and TIRQ. Options are shown in Table 3.
0x12	B4	NOT USED	
0x12	B3	CDTIE	Timer Interrupt Enable. When this bit is set to 1, the Countdown Timer will generate a TIRQ interrupt signal and set the CDT flag when the timer count reaches 0.

Real-Time Clock/Calendar with Power Manager and Battery Charger

Preliminary

0x12	B2	AIE	Alarm Interrupt Enable. When this bit is set to 1, and all selected alarm registers (selected by ALMODE in the Timer register) match the corresponding time/date registers, the SC63141 will generate an AIRQ interrupt signal.
0x12	B1	ENPSW_WAKE	A value of 1 enables the logic functions selected by OUT2S. A value of zero overrides any other selections to keep the low resistance switch on (active low output) at the PSW/nIRQ1 pin while SLEEP=0. If using this pin as a power switch to cut off the ground return of one of more external devices when SLEEP=1 (per the configuration shown in Figure 17), set this bit to zero as a precaution to prevent power cut-off from occurring outside of the SLEEP state.
0x12	B0	NOT USED	

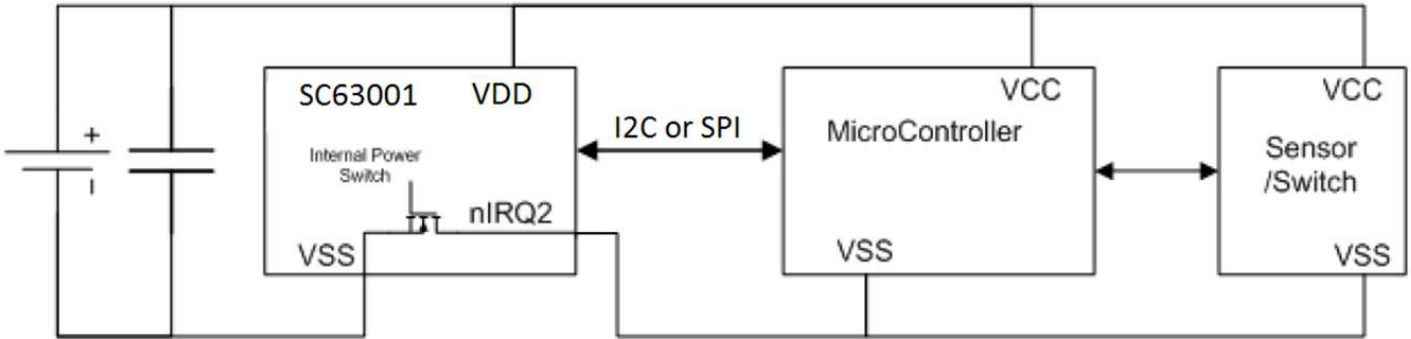


Figure 8: Switched ground configuration optionally used to disconnect power from external devices during SLEEP

Table 3: Alarm Interrupt signal duration as determined by setting of IM register bits

0x12 B1	0x12 B0	Hex value of 0x12 B6:B5 (IM)	Alarm Interrupt Signal (nAIRQ, nAIRQ2) Duration
0	0	x0	Continuous for both XT mode and RC mode (until interrupt flag is cleared)
0	1	x1	1/256 second
1	0	x2	1/64 second
1	1	x3	1/4 second (default)

Clock Output Control Register 0x13

0x13	B7	SQWE	Square Wave Enable. Setting this bit to 1 enables the square wave output. Other bits control the application of the square wave output to CBC92141 output pins. When this bit has a value of 0, the square wave output is held at the value of OUTA.
0x13	B6	CLKOUT_EN	A value of 1 connects the square wave output to the CMOS CLKOUT pin. A value of 0 causes the CLKOUT pin to indicate whether charging is currently disabled by CHGOFF or CHGRST.
0x13	B5	FOUT_EN	A value of 1 connects the square wave output to the open drain nPGD/nIRQ pin if OUT1S=01 and SQWE=1.
0x13	B4	NOT USED	
0x13	B3:B0	SQFS	Selects the frequency of the square wave output according to Table 4. A value of 0001 selects the oscillator frequency, either 32.768 kHz if an XT is utilized or 256 Hz if the RC oscillator is selected. To avoid glitches on any output clock signals when changing the square wave output frequency selection, SQWE or one of the output control bits (OUT1S, OUT2S, CLKOUT_END, or FOUT_EN) should be temporarily changed to disable the square wave output at any of the corresponding pins.

Table 4: Square Wave Output Frequency vs. SQFS Register Setting

0x13 B3	0x13 B2	0x13 B1	0x13 B0	Hex value of 0x24 B3:B0	Square Wave Output Frequency	Conditions/Comments
0	0	0	0	x0	100 Hz (approximate)	Approximation derived from 256 Hz clock (see description of hundredths generation.)
0	0	0	1	x1	32.768 kHz	in XT mode only, logic low otherwise
0	0	1	0	x2	1 year	Low duty cycle (<<50%), non-periodic due to leap years
0	0	1	1	x3	1 month	Low duty cycle (<<50%), non-periodic due to months
0	1	0	0	x4	1 day	
0	1	0	1	x5	1 hour	
0	1	1	0	x6	1 minute	
0	1	1	1	x7	256 Hz	
1	0	0	0	x8	128 Hz	
1	0	0	1	x9	64 Hz	
1	0	1	0	xA	32 Hz	
1	0	1	1	xB	16 Hz	Default value
1	1	0	0	xC	8 Hz	
1	1	0	1	xD	4 Hz	
1	1	1	0	xE	2 Hz	
1	1	1	1	xF	1 Hz	

Real-Time Clock Calibration Registers: 0x14-0x16

A configurable calibration scheme in the CBC92141 accounts for oscillator inaccuracy by making corrections to the time keeping. The user can select separate parameters for RC and crystal oscillator modes. Pulses are added or skipped in the 64 Hz clock at user-configurable calibration intervals, depending on the setting of the RCCAL_POL or XTCAL_POL value. Only downstream (lower frequency) clocks and registers, not including any bits of the tenths/hundredths register, are affected by this calibration process. The calibration interval is determined by a 7-bit Calibration Interval Timer Counter which loads an initial value (XTCAL_INIT or RCCAL_INIT) at the beginning of each calibration interval and counts down to zero, at which time the 64 Hz clock adjustment is made, and the initial value is reloaded into the counter. Selectable clock inputs to this timer, XTCAL_CLK or RCCAL_CLK, provide for wide ranges of calibration in each of the oscillator modes to accommodate the tolerances of the external crystal or the internal RC oscillator. Once the Calibration Interval Timer Counter begins to count down, updates to the associated initial value, polarity, or clock parameters do not take effect until the next calibration cycle. The block diagram in Figure 7 below illustrates the operation of the oscillator calibration.

Real-Time Clock/Calendar with Power Manager and Battery Charger

Preliminary

0x14	B7	XTCAL_POL	Calibration polarity for crystal oscillator mode. A value of 1 causes each RTC calibration action to add a pulse to the 64 Hz clock when the oscillator is in XT oscillator mode (OMODE=1) to compensate for a slow crystal. A value of zero results in a skipped pulse to compensate for a fast crystal.
0x14	B6:B0	XTCAL_INIT	Calibration timer initial value for crystal oscillator mode. This value is reloaded into the Calibration Interval Timer Counter after each calibration event when the oscillator is in XT oscillator mode (OMODE=1). When the counter reaches zero a positive or negative adjustment is made to the 64 Hz clock, depending on the XTCAL_POL setting. Set this value to zero to disable RTC calibration while operating from the crystal oscillator.
0x15	B7	RCCAL_POL	Calibration polarity for RC oscillator mode. A value of 1 causes each RTC calibration action to add a pulse to the 64 Hz clock when the oscillator is in RC oscillator mode (OMODE=0) to compensate for a slow crystal. A value of zero results in a skipped pulse to compensate for a fast crystal.
0x15	B6:B0	RCCAL_INIT	Calibration timer initial value for RC oscillator mode. This value is reloaded into the Calibration Interval Timer Counter after each calibration event when the oscillator is in RC oscillator mode (OMODE=0). When the counter reaches zero a positive or negative adjustment is made to the 64 Hz clock, depending on the RCCAL_POL setting. Set this value to zero to disable RTC calibration while operating from the RC oscillator.
0x16	B7:B6	XTCAL_CLK	Calibration timer clock selection for crystal oscillator mode. Table 5 shows the frequency selections (actually time intervals) selected by this register value. This selection determines the clock rate at which the Calibration Interval Timer Counter is decremented in XT oscillator mode. This selection trades off calibration range and resolution, as a larger value provides for less frequent corrections, as desired for a crystal with good initial accuracy.
0x16	B5	RCCAL_CLK	Calibration timer clock selection for RC oscillator mode. Table 5 shows the frequency selections selected by this register value. This selection determines the clock rate at which the Calibration Interval Timer Counter is decremented in RC oscillator mode. This selection trades off calibration range and resolution, as a larger value provides for less frequent corrections.
0x16	B4:B0	NOT USED	

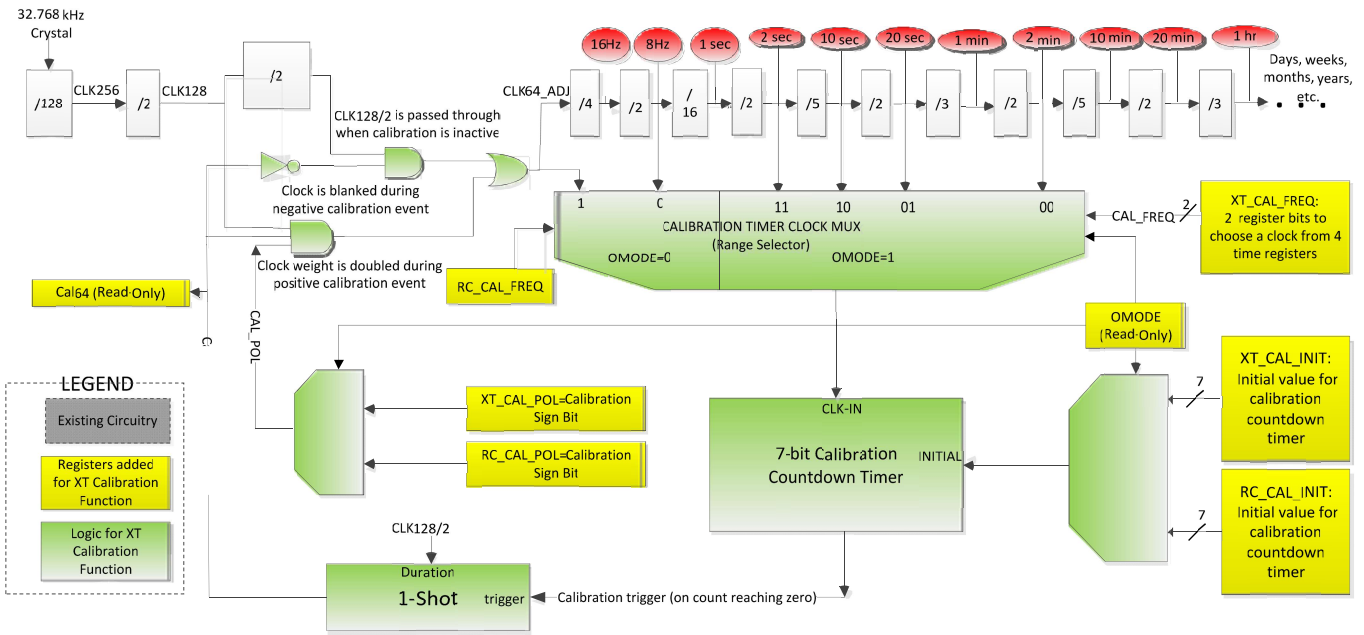


Figure 7: Block diagram for oscillator calibration functionality. Yellow blocks are registers.

Table 5: Calibration timer clock selections as determined by 0x16 B7:B5 and OMODE (0x1D B4)

0x16 B7	0x16 B6	0x16 B5	0x1D B4 (OMODE)	Clock frequency for Calibration Counter (Tmin=Minimum Calibration Interval)	Maximum Calibration Interval (Tmax)	Max. PPM Adjustment (at Tmin)	Min. PPM Adjustment (at Tmax)	PPM Resolution (at Tmax)
0	0	x	1	120 sec	15360 sec	65	1.0	0.008
0	1	x	1	20 sec	2560 sec	391	6.2	0.05
1	0	x	1	10 sec	1280 sec	781	12.3	0.10
1	1	x	1	2 sec	256 sec	3906	61.5	0.49
x	x	0	0	16 Hz	8 sec	125000	1968	15.6
x	x	1	0	64 Hz	2 sec	500000	7874	62.5

Sleep Control Register 0x17

See the state diagram of Figure 19 for an overview of the sleep state controller.

0x17	B7	SLP	Sleep request. Setting this value to 1 initiates the pre-sleep timer, which counts down to imposition of the sleep state onto one or more external devices. The SLP bit will be cleared when the sleep state is terminated by any of the interrupts (IRQ=1). In order to ensure a wake-up means before sleeping, this bit can only be set to 1 if STOP=0 (counters enabled) and one of the wake-up timers (alarm or countdown timer) is set with its associated interrupt enabled, and all interrupt flags have been reset to zero. Depending on the sleep I/O settings (SLPORT, SLIRQ1, SLIRQ2, and SLCLK), I/O's maybe unavailable while SLP=1. If a floating state (due to use of the PSW/nIRQ2 to disconnect power) is specified by these bits for any of the CBC92141 outputs, then those outputs will be driven high in the SLEEP state and (except for the PSW/nIRQ2 in) may begin transitioning once SLP is set to 1.
0x17	B6	SLIRQ1	User-selected sleep setting for the nPGD/nIRQ output pin. A value of 0 results in an open-drain state on the nPGD/nIRQ pin in the sleep state (when SLEEP=1). A value of 1 allows the OUT1S logic to determine the state of the nPGD/nIRQ pin, even during the sleep state.
0x17	B5	SLIRQ2	User-selected sleep state setting of the PSW/nIRQ2 output pin. This value affects the logic level of the PSW/nIRQ2 output pin in the sleep state. A value of 0 results in an active low state during sleep. A value of 1 allows the OUT2S logic to determine the state of this open-drain output pin when SLEEP=1. SLIRQ2 should be set to 1 if the application configuration uses the PSW/nIRQ2 pin to directly disconnect power (i.e., ground/VSS return line) to external components during the sleep state per the configuration of Figure 17.
0x17	B4	SLPORT	User-selected sleep state setting of the serial port. This bit should be set to 1 only if the serial port will be used during the sleep state. This bit MUST be set to 0 if the serial port is connected to a device that will be floating during the sleep state, for example, due to the PSW/nIRQ2 disconnection of the ground return line. While SLPORT is set to 0 and SLP is set to 1, the serial port will be unavailable for communications.

0x17	B3	SLCLK	Sleep state of CLKOUT pin. A value of 0 disables the clock output function of the CLKOUT pin and forces this pin high in the sleep state (SLEEP=1). Use this setting if CLKOUT will be connected to the input of a floating MCU device during the sleep state (for example, if using the PSW/nIRQ2 pin to disconnect the ground of the MCU). A value of 1 allows full function of the CLKOUT pin during the sleep state.
0x17	B2:B0	SLTO	Pre-sleep timer setting. This sets the number of 7.8 ms (128 Hz) periods after SLP is set until the CBC92141 engages the sleep state. If SLTO and SLSORT are both set to 0, a 3.4 ms (1/256 sec) delay will be added before the sleep state is engaged; this gives the CBC92141 time to prepare the serial port for the possibility that the I/O's will be floating in the sleep state.

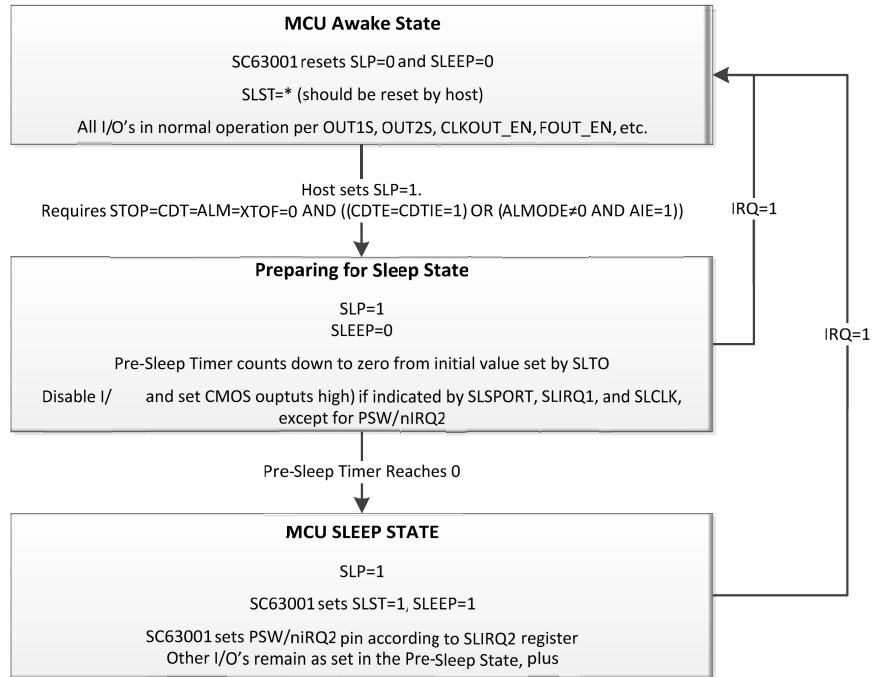


Figure 8: State diagram representing the sleep state controller and associated features

Timer Management Registers 0x18-0x1A

0x18	B7	CDTE	Countdown Timer Enable. A value of 1 enables decrementing in the Countdown Timer, as reported in the Countdown Timer register. Disabling the timer with a value of 0 stops the countdown but retains the latest value in the Countdown Timer register.
0x18	B6	CDRPT	Countdown Timer Repeat. With a value of 1, when the Countdown Timer reaches zero, it reloads the value of the Timer Initial Value register into the Countdown Timer register and begin another countdown. A value of 0 causes the Countdown Timer to stop after reaching zero. This value should be toggled to 1 in order to load the CDTINIT value when starting the Countdown Timer. It can be reset to zero after loading if the repeat function is not desired.
0x18	B5:B2	ALMODE	Alarm mode selection and enabling. This selection determines which bits of the Alarm registers are considered for determining a match that will set off the Alarm interrupt. The options are shown in Table 7. Several options, including the zero (x0) value, disable the alarm.
0x18	B1:B0	CDTFREQ	Countdown Timer frequency selection according to Table 7. This frequency determines the clock rate at which the countdown timer is decremented.
0x19	B7:B0	CDTIME (Read-only)	Countdown Timer Value. Current value of the countdown timer. When the Countdown Timer is enabled (CDTE=1) and the value of this register is non-zero, this value is decremented one LSB for each cycle of the frequency selected by CDTFREQ. The remaining countdown time is equal to the Countdown Timer Value divided by the Countdown Frequency.
0x1A	B7:B0	CDTINIT	Countdown Timer Initial Value. This value is loaded into the Countdown Timer (CDTIME) register when CDTIME=0 and CDRPT= 1.

Table 6: Alarm modes determined by ALMODE. X indicates alarm register selected for match detection

0x18 B5	0x18 B4	0x18 B3	0x18 B2	Hex value of 0x18 B5:B2	Alarm Frequency	months	date	weekdays	hours	minutes	seconds	Tenths	Hundredths (B3:Bo)	Comment
0	0	0	0	x0	Alarm Disabled									Default setting
0	0	0	1	x1	yearly	X	X		X	X	X	X	X	
0	0	1	0	x2	monthly		X		X	X	X	X	X	
0	0	1	1	x3	weekly			X	X	X	X	X	X	
0	1	0	0	x4	daily				X	X	X	X	X	
0	1	0	1	x5	Hourly					X	X	X	X	
0	1	1	0	x6	1 minute						X	X	X	
0	1	1	1	x7	1 Hz							X	X	
1	0	0	0	x8	10 Hz								X	Subject to inexact hundredths counter
				X9-xF	Invalid states									Disables alarm, but x0 is preferred setting to disable.

Table 7: Countdown Timer frequency settings for CDTFREQ values

CDTFREQ bits		Countdown Frequency
0x18 B1	0x18 B0	
0	0	256 Hz
0	1	1 Hz
1	0	1/60 Hz (once per minute)
1	1	1/3600 Hz (once per hour)

Charging Control Register 0x1B

Note: The WBATMAN register must be set to 1 in order to allow updating of this register.

0x1B	B7	CHGOFF	Charger off. Setting this bit to 1 inhibits battery charging. Temporary shutdown of the battery charger could be useful for conserving limited system power in some situations. The charging schedule will run in the background but charging will not occur while CHGOFF=1. Setting CHGNOW to 1 resets CHGOFF to zero. This bit is also reset to the default value of zero when the CBC92141 comes out of battery backup mode. To prevent battery charging, this bit would need to be set back to 1 after serial communications resume with VDD operation. WBATMAN must equal 1 to allow updating of this bit.
0x1B	B6	CHGNOW	Charge now. Toggling this bit from 0 to 1 causes the CBC92141 to reset the CHGOFF and CHGRST bits to 0 (if not already equal to zero) and perform a VDD power-on-reset, the main effect being that it forces an initial charge cycle and then synchronizes the charging schedule to the latest CHGFREQ and CHGTEMP values. This function is particularly useful in case low values of CHGFREQ (long charging frequency intervals) are being used and a sustained substantial increase in the ambient temperature is observed. The user needs to reset this CHGNOW bit to 0 in order to use this feature again. WBATMAN must equal 1 to allow updating of this bit.
0x1B	B5	CHGRST	Resets the charging controller to its idle state where it is waiting for the next charging period clock edge. Once CHGRST is set back to zero the charging controller will again start to look for the rising edge of the charging period clock and subsequently begin the charging cycle. This bit is reset to the default value of zero when the CBC92141 comes out of battery backup mode. Setting CHGNOW to 1 also resets CHGRST to zero. WBATMAN must equal 1 to allow updating of this bit.
0x1B	B4	NOT USED	

Real-Time Clock/Calendar with Power Manager and Battery Charger Preliminary

0x1B	B3:B2	CHGFREQ	Charging Frequency. These 2 bits configure the frequency of the backup battery charger cycling. A value of 00 gives the least frequent charging. Higher values increase the frequency of the charging operation. The on-times of the charger scale approximately with the charging period (1/frequency) and these on-times are reduced for successively higher temperature ranges. (See Table 9 and explanation of CHGTEMP register bits for behavior above 40°C.) WBATMAN must equal 1 to allow updating of these bits.
0x1B	B1:B0	CHGTEMP	Temperature compensation of charging frequency. These 2 bits configure the increase of charging frequency at temperatures above 40°C relative to the setting of the CHGFREQ bits. A CHGTEMP value of 00 results in a fixed charging frequency, as set by the CHGFREQ bits. For higher values of CHGTEMP, each incremental value increases the frequency of the charging operation above 40°C. The charging frequencies and on-times are listed in Table 8 for the full temperature range and the possible combinations CHGFREQ and CHGTEMP. WBATMAN must equal 1 to allow updating of these bits.

Table 8: Charging Times and Frequencies for full temperature range vs. CHGFREQ and CHGTEMP values.

CHGFREQ		CHGTEMP		hex code of B3:B0	Nominal Charging Frequency		Nominal Charger On-Time vs. Temperature			
0x1B B3	0x1B B2	0x1B B1	0x1B B0		below 40°C	above 40°C	Temp < -20°C	-20°C to 0°C	0°C to 40°C	Temp > 40°C
0	0	0	0	x0	32 days	32 days	8 days	4 days	1 day	8 hours
0	0	0	1	x1	32 days	8 days	8 days	4 days	1 day	2 hours
0	0	1	0	x2	32 days	4 days	8 days	4 days	1 day	1 hour
0	0	1	1	x3	32 days	2 days	8 days	4 days	1 day	20 minutes
0	1	0	0	x4	8 days	8 days	2 days	1 day	8 hours	2 hours
0	1	0	1	x5	8 days	4 days	2 days	1 day	8 hours	1 hour
0	1	1	0	x6	8 days	2 days	2 days	1 day	8 hours	20 minutes
0	1	1	1	x7	8 days	1 day	2 days	1 day	8 hours	20 minutes
1	0	0	0	x8	4 days	4 days	1 day	1 day	4 hours	1 hour
1	0	0	1	x9 *	4 days	2 days	1 day	1 day	4 hours	20 minutes
1	0	1	0	xA	4 days	1 day	1 day	1 day	4 hours	20 minutes
1	0	1	1	xB	4 days	8 hours	1 day	1 day	4 hours	4 minutes
1	1	0	0	xC	2 days	2 days	1 day	8 hours	2 hours	20 minutes
1	1	0	1	xD	2 days	1 day	1 day	8 hours	2 hours	20 minutes
1	1	1	0	xE	2 days	8 hours	1 day	8 hours	2 hours	4 minutes
1	1	1	1	xF	1 days	4 hours	8 hours	4 hours	1 hour	4 minutes

* Default value is in bold.

Oscillator and RTC Configuration Registers 0x1C

0x1C	B7	OSEL	A value of 0 requests the RC Oscillator to generate a 256Hz clock for the timer circuits. A value of 1 requests the XT Oscillator to generate a 32.786 kHz clock which is divided down to 256 Hz for the timer circuit. Upon transitioning from 0 to 1, the XT oscillator will first be checked against the RC oscillator to ensure XT operation prior to changing the clock source. If the XT oscillator functional check is not satisfied, the CBC92141 will reset OSEL to zero and continue operating from the RC oscillator.
0x1C	B6	12_24	A value of 0 selects 24 hour mode operation of the hours register. A value of 1 selects 12 hour mode. Changing this bit does NOT change the Hours Alarm register. It is recommended that the Hours Alarm register value be set by the user based on the mode selected by this bit.
0x1C	B5	CENT	Century indicator for the calendar. This bit may be written via the serial port while WRTC=1. It automatically toggles when the calendar year register transitions from 99 back to 00 . A value of 1 results in calendar counting with century 20xx leap years, and a value of 0 results in counting with century 210x leap years (same as 19xx).
0x1C	B4	AOS	A value of 1 enables automatic switch over to the RC oscillator upon the CBC92141 entering backup mode. If OSEL=1, the CBC92141 will revert to the XT oscillator upon returning to VDD mode. An AOS value of 0 disables automatic oscillator switch over.
0x1C	B3:B0	NOT USED	

Status Register 0x1D (Read-Only)

0x1D	B7	PSWON	A value of 1 indicates that the low-resistance internal switch at the PSW/nIRQ2 pin is on. A value of 0 indicates that this pin is in an open-drain state.
0x1D	B6	CAL64	This value is high while the RTC calibration circuit is adjusting (adding or subtracting a clock pulse at) the 64 Hz clock. This signal can be selected by OUT2S as an output on the PSW.
0x1D	B5	CHGON	A value of 1 indicates that the CBC92141 is charging the backup battery.
0x1D	B4	OMODE	Oscillator mode. A value of 0 indicates that the RC oscillator is the source of the 256Hz system clock. A value of 1 indicates that the system clock is being derived from the XT oscillator.
0x1D	B3	SLEEP	This bit is set to 1 when SLP=1 and the pre-sleep timer reaches zero. A value of 1 indicates that the sleep controller is in the sleep state. This bit is automatically reset when an interrupt terminates the sleep state. Note: the Sleep Control Register 0x17 controls the behavior of I/O's in the sleep state, and some settings may disable the serial port.
0x1D	B2	IRQ	A value of 1 indicates an active interrupt as defined in the Interrupt Summary Table.
0x1D	B1	NIRQPIN	A value of 1 indicates that the CBC92141 is pulling the nPGD/NIRQ pin low. A value of 0 indicates that this pin is in an open-drain state. If the clock signal has been routed to this pin, then this status bit is not meaningful.
0x1D	B0	PGOOD	A value of 1 indicates VDD is valid and all I/O's are operational, including the serial ports. Exception: as long as VDD remains valid, the value of this bit remains 1 even when I/O's are disabled by the SLEEP controls.

Temperature ADC Registers 0x1E -0x1F (Read-Only)

0x1E	B7:Bo	Temp9-Temp2	Temperature measurement results (MSB's). Top 8 bits from the 10-bit temperature ADC are reported here in Kelvin, where zero is absolute zero temperature (-273°C) and each count represents a 0.5°C step.
0x1F	B7:B6	Temp1-Tempo	Temperature measurement results (LSB's).
0x1F	B5:Bo	NOT USED	
0x20-0x21	B7:Bo	NOT USED	

Data Transfer Registers 0x22-0x23

0x22	B7	MEAS_TEMP	<p> toggling this bit from 0 to 1 updates the temperature reading stored in the TEMPADC and updates the temperature-compensated charging voltage based on the new temperature reading. When the new temperature readings are completed and stored in the TEMPADC registers, the CBC92141 will set the NEW_TEMP bit. The CBC92141 will not allow this bit to toggle to 1 when ADC_BUSY=1.</p>
0x22	B6:B3	NOT USED	
0x22	B2	LATCH_CDT_OUT	<p> A value of 1 causes the CBC92141 to wait for the second clock rising edge, then latch the current Countdown timer value into the CDT shadow register to be read by the serial port. This bit is automatically reset to zero when the CBC92141 sets LATCH_CDT_CMPLT to 1.</p>
0x22	B1	LOAD_DAT_IN	<p> A value of 1 causes the CBC92141 to stop the RTC counters and synchronously (at 256 Hz) write time and calendar data (registers 0x00-0x07) from the serial –port accessible shadow registers to the respective RTC counter registers. Reset this value to zero to re-start the RTC time and date counters.</p>
0x22	B0	LATCH_OUT	<p> A value of 1 causes the CBC92141 to wait for the second clock rising edge, then latch current RTC time and calendar counter data into the shadow registers to be read by the serial port. This bit is automatically reset to zero when the CBC92141 sets LATCH_CMPLT to 1.</p>
0x23	B7	NEW_TEMP (Read/Clear-Only)	<p> A value of 1 indicates that new temperature data requested by the MEAS_TEMP setting is available to be read over the serial port. This bit is automatically reset to zero when MEAS_TEMP is again set to 1 or when the internal charging controller initiates a temperature measurement</p>
0x23	B6	ADC_BUSY (Read-Only)	<p> A value of 1 indicates that the charging controller is actively using the temperature measurement ADC.</p>
0x23	B5:B3	NOT USED	
0x23	B2	LATCH_CDT_CMPLT	<p> A value of 1 indicates that the data transfer from the Countdown Timer registers to the shadow register is complete and the data in 0x19 is ready to be read by the serial port. This bit is automatically reset to zero when it is read through the serial communications.</p>
0x23	B1	LOAD_CMPLT (Read/Clear-Only)	<p> A value of 1 indicates that the load of the new data from the shadow registers to the RTC counter registers is complete. This bit is automatically reset to zero when it is read through the serial communications and (if not previously reset) when LOAD_DAT_IN is again set to 1.</p>
0x23	B0	LATCH_CMPLT (Read/Clear-Only)	<p> A value of 1 indicates that the data transfer from the RTC counter registers to the shadow registers is complete and the data is ready to be read by the serial port. This bit is automatically reset to zero when it is read through the serial communications and (if not previously reset) when LATCH_OUT is again set to 1.</p>

Battery Management Configuration Registers 0x24

Note: The WBATMAN register must be set to 1 in order to allow updating of this register.

0x24	B7:B4	NOT USED	
0x24	B3	VOUTEN	VOUT Enable. Set this to 1 to have backup battery supply available at the VOUT pin in backup mode. The VOUT switch (between the VOUT pin and the internal supply) is open in normal operation. A value of 0 will leave the switch open, even in backup mode. A value of zero reserves all available backup battery power exclusively to keep the real-time clock operating. WBATMAN must equal 1 to allow updating of this bit.
0x24	B2:B0	BCMFREQ	<p>Battery Cutoff Monitor Frequency. These 3 bits configure how frequently the CBC92141 checks the battery voltage in backup mode to see if it is below the cutoff threshold. The options for the monitoring intervals are provided in Table 9. The following application conditions would call for more frequent monitoring:</p> <ul style="list-style-type: none"> o lower capacity backup battery o use of the XT oscillator in backup mode o external loading at the VOUT pin <p>See the Electrical Characteristics table for the effect of battery monitoring and XT vs. RC oscillator on battery current draw. The battery monitoring operation draws power for a duration of less than or equal to 3 cycles of the 256 Hz clock.</p> <p>If the battery voltage is found to be below the cutoff threshold, the cutoff switch will disconnect the battery at the CHG pin to protect it from damage. The WBATMAN value must equal 1 to allow updating of this value.</p>

Table 9: Battery Cutoff Monitoring Frequency Interval (seconds) for settings of BCMFREQ register bits

0x24 B2	0x24 B1	0x24 B0	Hex value of 0x24 B3:B0	Battery Cutoff Monitoring Frequency Interval (seconds on RTC count)
0	0	0	x0	Continuous Monitoring
0	0	1	x1	1/8
0	1	0	x2	1
0	1	1	x3	4
1	0	0	x4	8
1	0	1	x5 *	16
1	1	0	x6	60
1	1	1	x7	960

* Default value is in bold

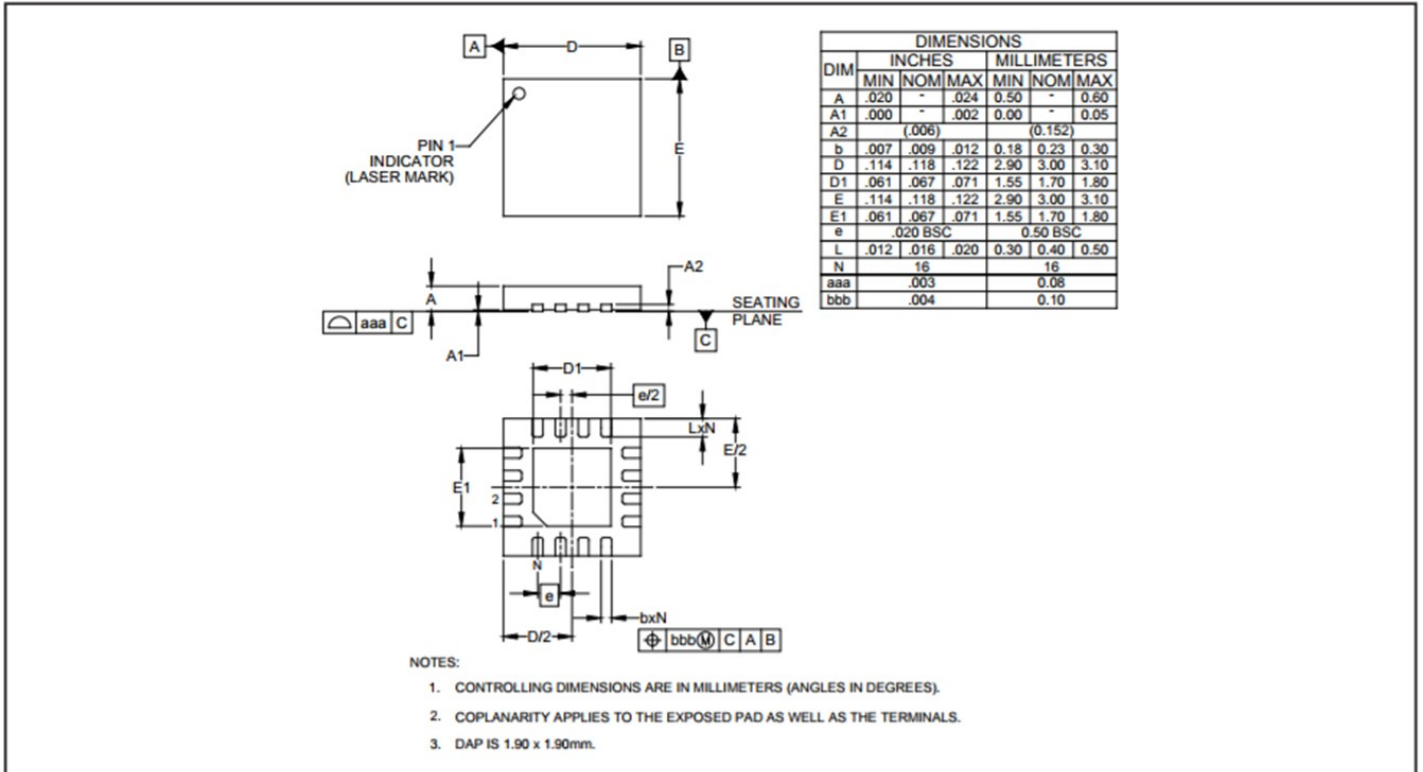
Appendix: Charging Duty Cycle Tables

Table 10: Charging duty cycles for charge frequency configurations and errors relative to target duty cycles

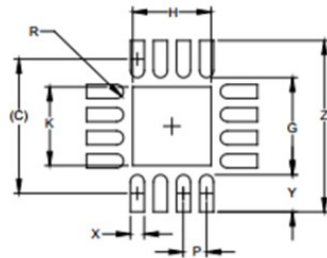
Charging duty cycle target vs. temperature			
-40°C to -20°C	-20°C to 0°C	0°C to 40°C	40°C to 85°C
33%	17%	4%	1%

Hex Code of B7:B4	Charging Frequency vs. Temperature		Charging Duty Cycle vs. Temperature				Charging Duty Cycle Error Relative to Target			
	-40°C to +40°C	40°C to 85°C	-40°C to -20°C	-20°C to 0°C	0°C to 40°C	40°C to 85°C	-40°C to -20°C	-20°C to 0°C	0°C to 40°C	40°C to 85°C
0	32 days	32 days	25%	12.5%	3.1%	1.0%	-25%	-25%	-25%	0%
1	32 days	8 days	25%	12.5%	3.1%	1.0%	-25%	-25%	-25%	0%
2	32 days	4 days	25%	12.5%	3.1%	1.0%	-25%	-25%	-25%	0%
3	32 days	2 days	25%	12.5%	3.1%	0.7%	-25%	-25%	-25%	-33%
4	8 days	8 days	25%	12.5%	4.2%	1.0%	-25%	-25%	0%	0%
5	8 days	4 days	25%	12.5%	4.2%	1.0%	-25%	-25%	0%	0%
6	8 days	2 days	25%	12.5%	4.2%	0.7%	-25%	-25%	0%	-33%
7	8 days	1 day	25%	12.5%	4.2%	1.4%	-25%	-25%	0%	33%
8	4 days	4 days	25%	25.0%	4.2%	1.0%	-25%	50%	0%	0%
9	4 days	2 days	25%	25.0%	4.2%	0.7%	-25%	50%	0%	-33%
A	4 days	1 day	25%	25.0%	4.2%	1.4%	-25%	50%	0%	33%
B	4 days	8 hours	25%	25.0%	4.2%	0.8%	-25%	50%	0%	-20%
C	2 days	2 days	50%	16.7%	4.2%	0.7%	50%	0%	0%	-33%
D	2 days	1 day	50%	16.7%	4.2%	1.4%	50%	0%	0%	33%
E	2 days	8 hours	50%	16.7%	4.2%	0.8%	50%	0%	0%	-20%
F	1 day	4 hours	33%	16.7%	4.2%	1.7%	0%	0%	0%	60%

Outline Drawing - 3x3 MLPQ-UT16



Land Pattern - 3x3 MLPQ-UT16



DIMENSIONS		
DIM	INCHES	MILLIMETERS
C	.114	(2.90)
G	.083	2.10
H	.067	1.70
K	.067	1.70
P	.020	0.50
R	.006	0.15
X	.012	0.30
Y	.031	0.80
Z	.146	3.70

NOTES:

1. CONTROLLING DIMENSIONS ARE IN MILLIMETERS (ANGLES IN DEGREES).
2. THIS LAND PATTERN IS FOR REFERENCE PURPOSES ONLY. CONSULT YOUR MANUFACTURING GROUP TO ENSURE YOUR COMPANY'S MANUFACTURING GUIDELINES ARE MET.
3. THERMAL VIAS IN THE LAND PATTERN OF THE EXPOSED PAD SHALL BE CONNECTED TO A SYSTEM GROUND PLANE. FAILURE TO DO SO MAY COMPROMISE THE THERMAL AND/OR FUNCTIONAL PERFORMANCE OF THE DEVICE.



New Product

CBC921 PMRTC

Real-Time Clock/Calendar with Power Manager and Battery Charger

Preliminary

Important Notice

Information relating to this product and the application or design described herein is believed to be reliable; however, such information is provided as a guide only and Cymbet assumes no liability for any errors in this document, or for the application or design described herein. Cymbet reserves the right to make changes to the product or this document at any time without notice. Buyers should obtain the latest relevant information before placing orders and should verify that such information is current and complete. Cymbet warrants performance of its products to the specifications applicable at the time of sale, and all sales are made in accordance with Cymbet's standard terms and conditions of sale.

CYMBET PRODUCTS ARE NOT DESIGNED, INTENDED, AUTHORIZED OR WARRANTED TO BE SUITABLE FOR USE IN LIFE-SUPPORT APPLICATIONS, DEVICES OR SYSTEMS, OR IN NUCLEAR APPLICATIONS IN WHICH THE FAILURE COULD BE REASONABLY EXPECTED TO RESULT IN PERSONAL INJURY, LOSS OF LIFE OR SEVERE PROPERTY OR ENVIRONMENTAL DAMAGE. INCLUSION OF CYMBET PRODUCTS IN SUCH APPLICATIONS IS UNDERSTOOD TO BE UNDERTAKEN SOLELY AT THE CUSTOMER'S OWN RISK. Should a customer purchase or use Cymbet products for any such unauthorized application, the customer shall indemnify and hold Cymbet and its officers, employees, subsidiaries, affiliates, and distributors harmless against all claims, costs, damages, and attorney fees which could arise.

The Cymbet name and logo are registered trademarks of the Cymbet Corporation. All other trademarks and trade names mentioned may be marks and names of Cymbet or their respective companies. Cymbet reserves the right to make changes to, or discontinue any products described in this document without further notice. Cymbet makes no warranty, representation or guarantee, express or implied, regarding the suitability of its products for any particular purpose. All rights reserved.

© Cymbet 2020