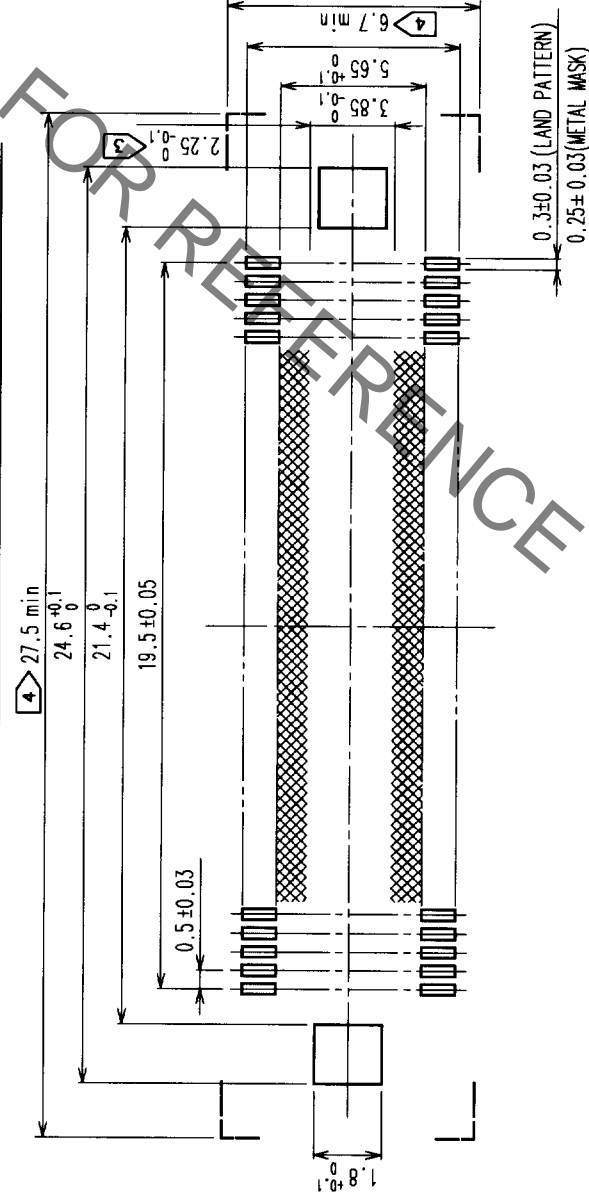
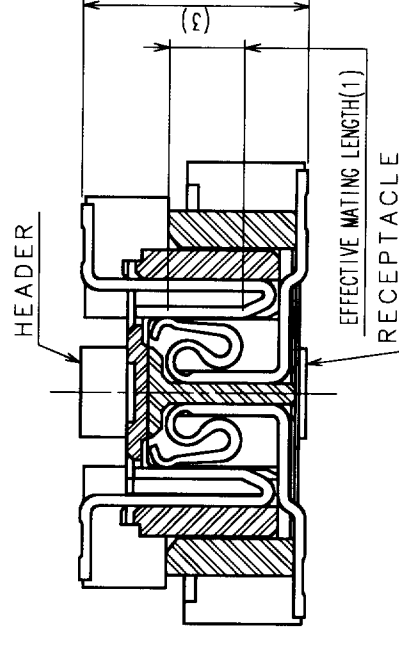


RECOMMENDED LAND PATTERN DIMENSION OF PCB



SIGNAL PORTION CROSS SECTION (10:1)



HRS DRAWING FOR REFERENCE

- NOTES
- 1 SMT LEAD-COPLANARITY: 0.1 MAX.
 - 2 THIS PRODUCT HAS NO POLARITY TO PATTERN FOR MOUNTING.
 - 3 MAKE SURE WIDTH OF PATTERN IS WITHIN THAT OF LAND, OR LEAD MAY TOUCH PATTERN. (THIS APPLIES TO HATCHED AREA.)
 - 4 DO NOT MOUNT OTHER DEVICES ONTO [] AREA, OR MATING PAIR CANNOT BE MATED.
 - 5 TO BE EMBOSSED CARRIER TAPED AS SPECIFIED IN SHEET 2.

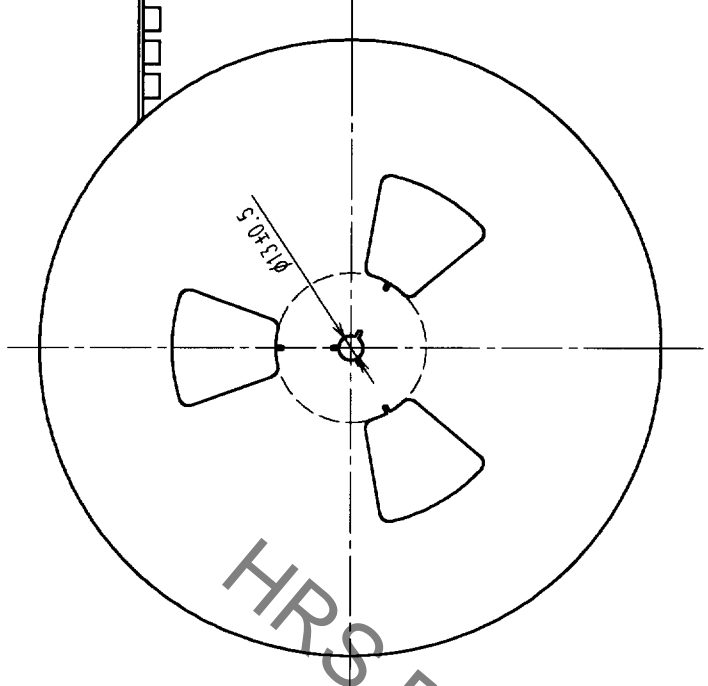
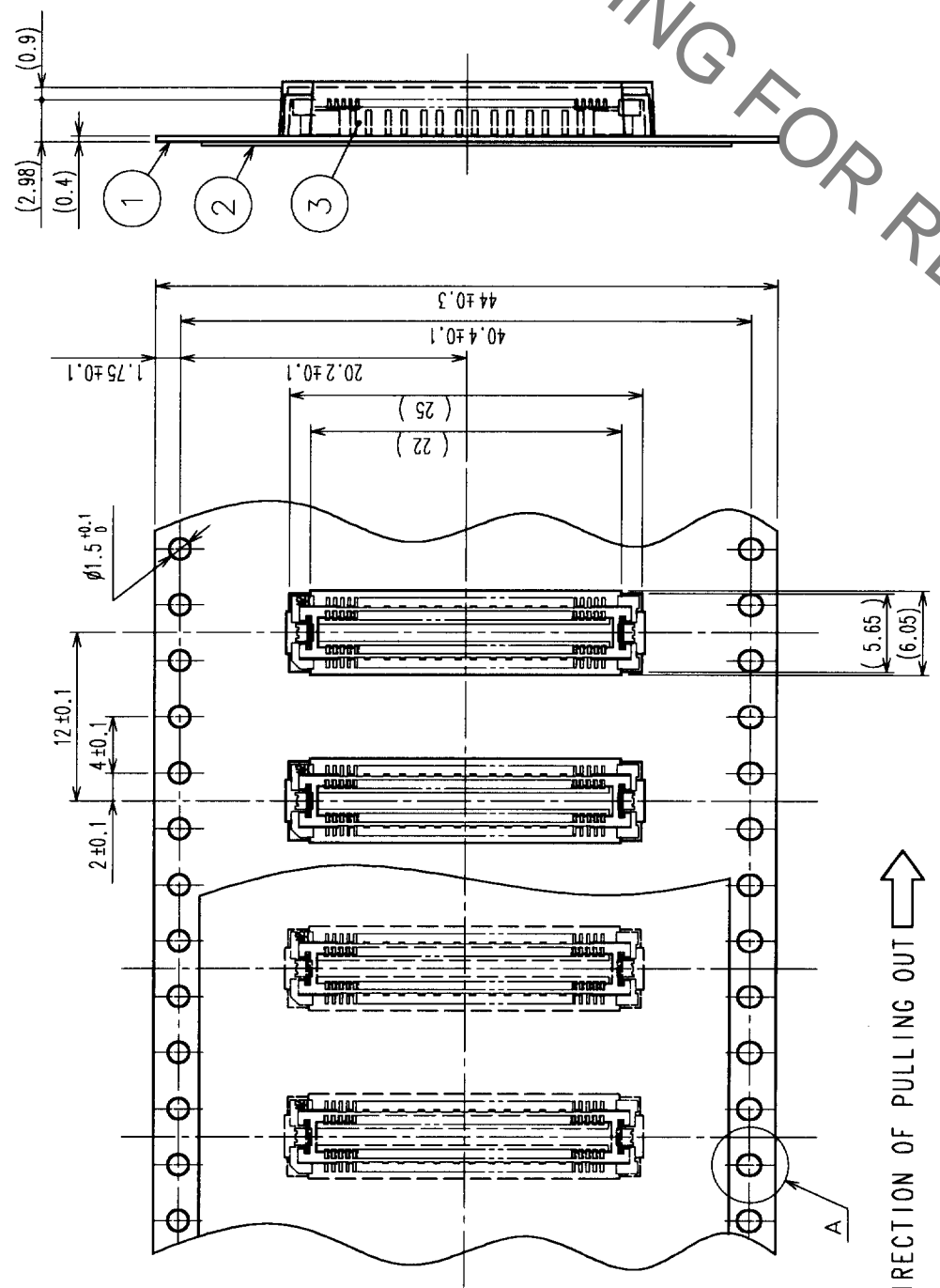
5	6	7	8	
COUNT	DESCRIPTION OF REVISIONS	BY	CHKD	DATE
△				
△				
△				

2	COPPER ALLOY	CONTACT AREA: GOLD (0.1μm) OVER NICKEL LEAD: GOLD FLASH OVER NICKEL			
1	LCP	BEIGE UL94V-0	3	PHOSPHOR BRONZE	TIN PLATED
NO.	MATERIAL	FINISH, REMARKS	NO.	MATERIAL	FINISH, REMARKS
CODE NO. (OLD)	CL		DRAWN	DESIGNED	CHECKED
			<i>H. Matsushima</i>	<i>H. Matsushima</i>	<i>H. Matsushima</i>
			20.06.20	20.06.20	20.06.23
DRAWING NO.			PART NO.		
EDC3-152631-01			FX11B-80P-SVO.5(21)		
SCALE			CODE NO.		
5:1			CL573-0658-9-21		
UNITS			FORM NO.		
mm			229		

TO	
PCK	

COUNT	DESCRIPTION OF REVISIONS	BY	CHKD	DATE	COUNT	DESCRIPTION OF REVISIONS	BY	CHKD	DATE
1					1				
2					2				
3					3				
4					4				
5					5				
6					6				
7					7				

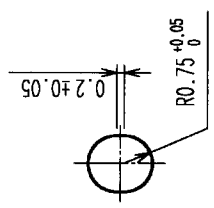
REELED DIMENSION (FREE)



HRS DRAWING FOR REFERENCE

- NOTES
- 1 REEL: 1000 CONNECTORS.
 - 2 MINIMUM 10 COMPARTMENTS FROM BOTH REEL ENDS REMAIN EMPTY.
 - 3 THIS PRODUCT HAS NO POLARITY TO TAPE AND REEL PACKAGING.

A (5:1)



2	PET	TOP COVER TAPE	3	(CONNECTOR)	FINISH, REMARKS	MATERIAL	FINISH, REMARKS
1	PS	EMBOSSED CARRIER TAPE	3				
NO.	MATERIAL	FINISH, REMARKS	NO.	MATERIAL	FINISH, REMARKS	FINISH, REMARKS	FINISH, REMARKS
CODE NO. (OLD)	CL		DRAWN	DESIGNED	CHECKED	APPROVED	RELEASED
			<i>J. Matsubara</i>	<i>H. Ikawa</i>	<i>H. Ikawa</i>	<i>J. Yoshimura</i>	
			00.06.20	00.06.20	00.06.21	00.06.23	
DRAWING NO.		PART NO.					
EDC3-152631-01		FX11B-80P-SV0.5(21)					
SCALE		CODE NO.					
2:1		CL573-0658-9-21					
UNITS		HRS					
MM		HIROSE ELECTRIC CO., LTD.					

TO	
PCK	