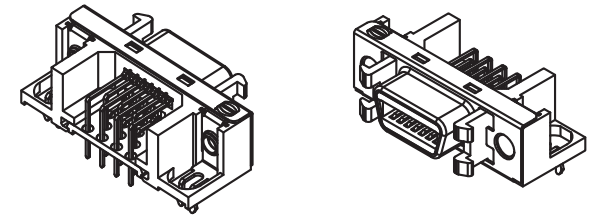
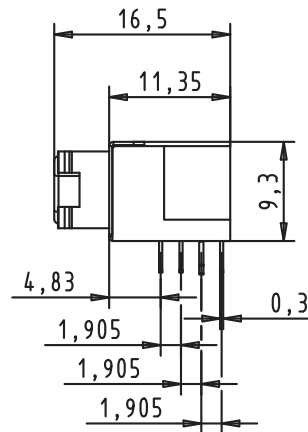
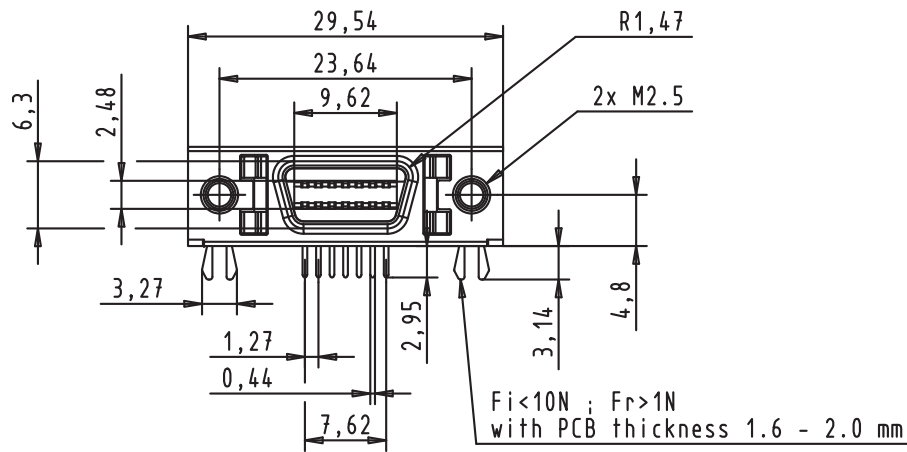




PCB Layout: component side

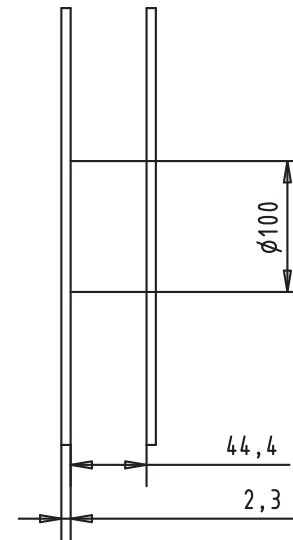
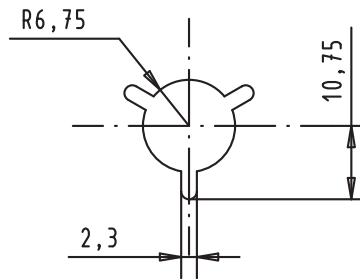
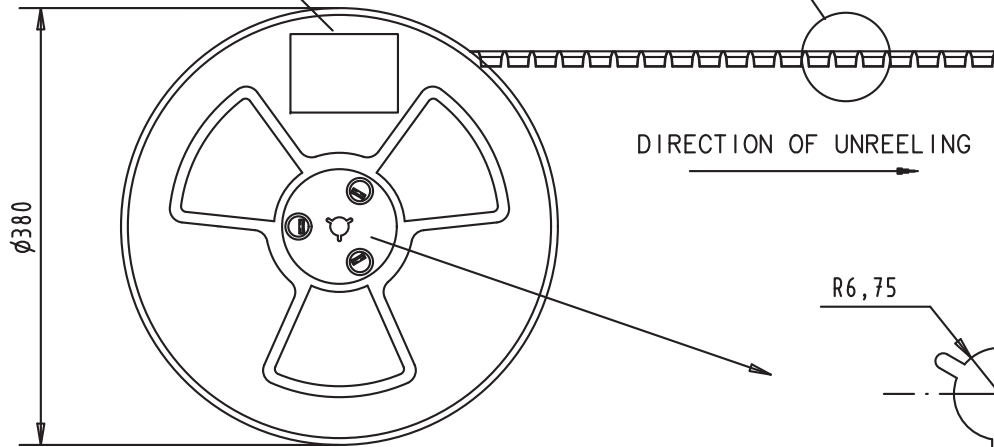
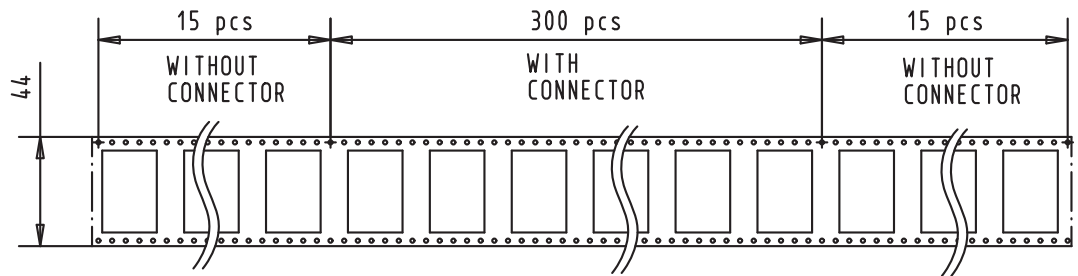
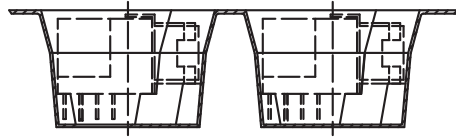
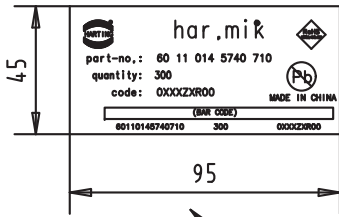


According to IEC 61076-3-100

1) see TB 60 11 014 5740 folio 2/2 for reel packaging

				Det.	Name	 har.mik® I/O bellow 14 poles female SMC with angled solder pins, boardlocks, fixed latches	Maßstab/ Scale
			Detail.	11Jul2006	ED		1.5:1
			Insp.				
33811	18Oct2006	ED	Stand.			 TB 60 11 014 5740 Sub.	Blatt/ Page 1 / 2
33795	07Aug2006	ED	HARTING EURL F-95972 Paris				
33781	12Jul2006	ED	Mod.	Det.	Name		

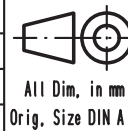
REEL LABEL



1) see TB 60 11 014 5740 folio 1/2 for connector dimensions and PCB layout

Packaging in accordance with EIA 481-2-A tape & reel packaging for grimping process

				Dat.	Name
				Detail.	180ct+2006 ED
				Insp.	
				Stand.	
33811	180ct+2006				ED
Mod.	Dat.				Name



All Dim. in mm
Orig. Size DIN A 4

har.mik® I/O bellow
14 poles female SMC
with angled solder pins,
boardlocks, fixed latches
in reel unit packaging

Maßstab/
Scale

60 11 014 5740.710

in reel unit packaging
300 connectors

HARTING EURL
F-95972 Paris



TB 60 11 014 5740

Blatt/ Page
2 / 2

Part Number

Index Designation

Mod. Dat. Name

Sub.