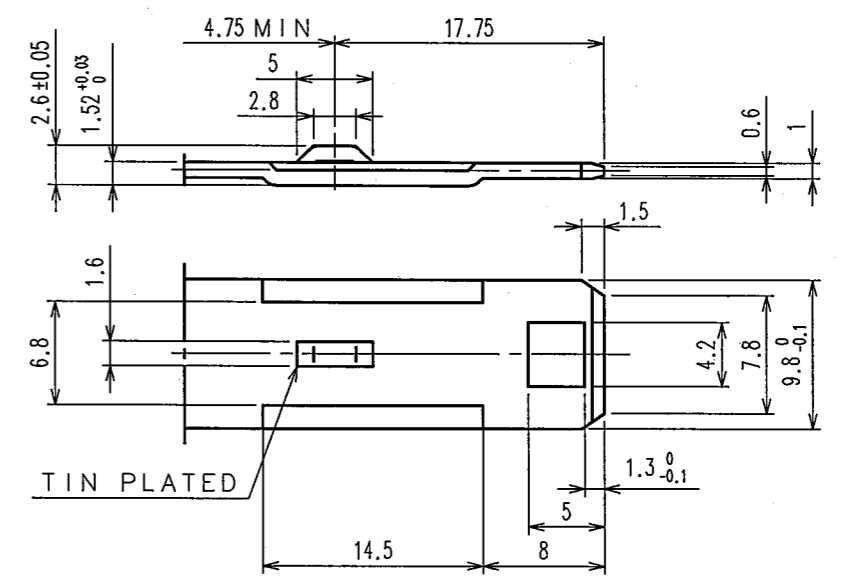
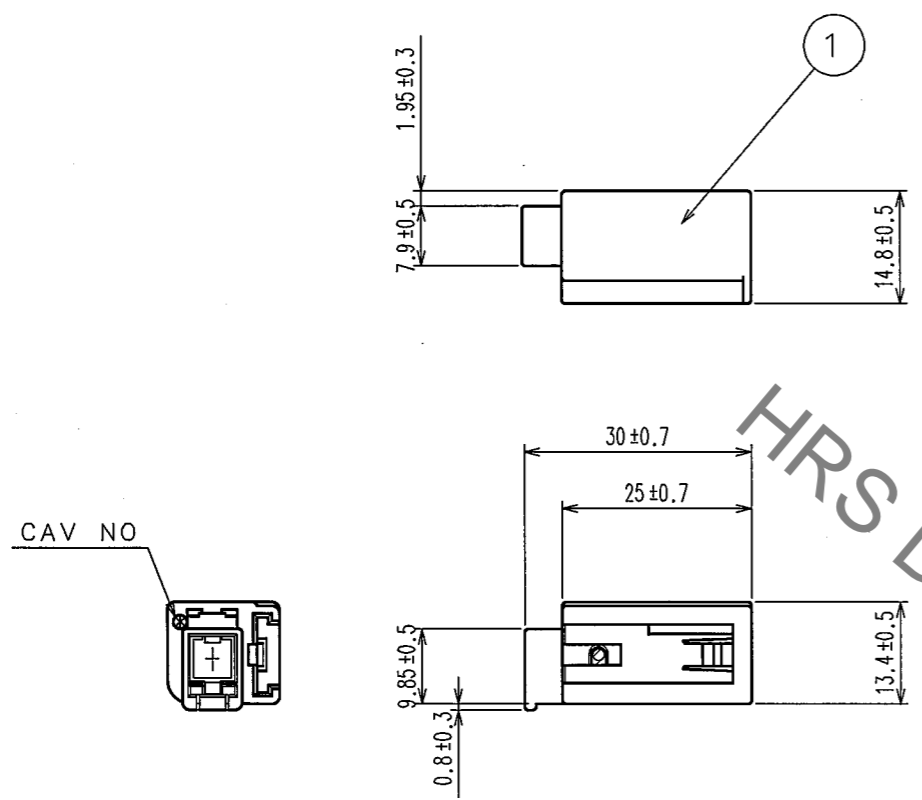
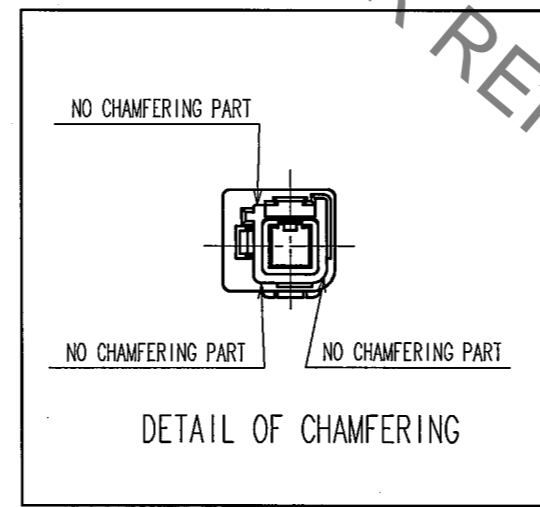
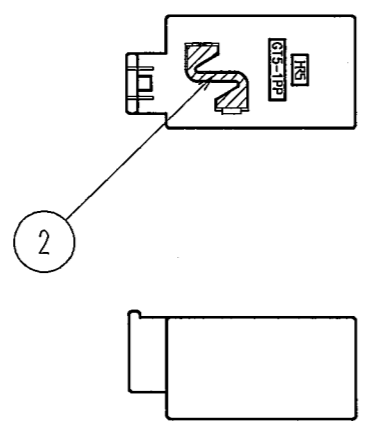


May.1.2023 Copyright 2023 HIROSE ELECTRIC CO., LTD. All Rights Reserved.
In case of consideration for using Automotive equipment / device which demand high reliability, kindly contact our sales window correspondents.

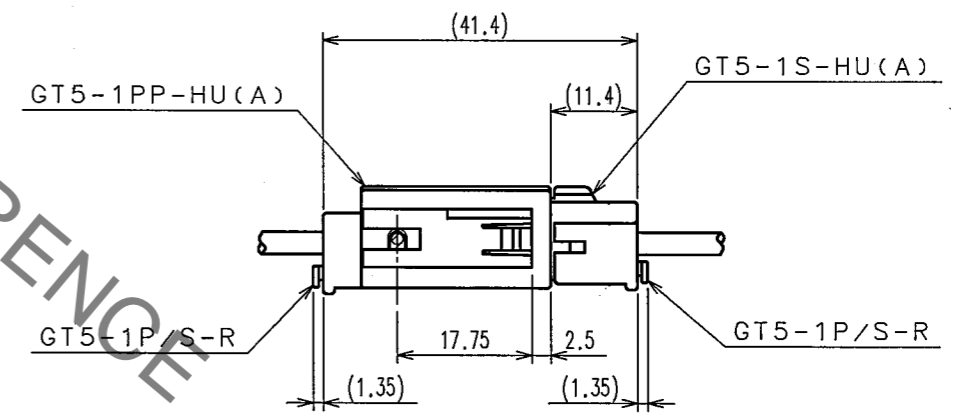
COUNT	DESCRIPTION OF REVISIONS	BY	CHKD	DATE	COUNT	DESCRIPTION OF REVISIONS	BY	CHKD	DATE
△				..	△				..
△				..	△				..
△				..	△				..



DETAIL OF FITTING PLATE(2:1)



DETAIL OF CHAMFERING



MATED CONNECTORS

Pb FREE

NOTE1. THIS CONNECTOR SHALL BE USED WITH A RETAINER (CL755-0006-2).
2. APPLICABLE CONNECTOR: GT5-1S-HU(A) (CL755-0037-6)

1	PBT	UL94V-0, BROWN	2	PHOSPHOR BRONZE	TIN PLATED, T=0.3
NO.	MATERIAL	FINISH, REMARKS	NO.	MATERIAL	FINISH, REMARKS
CODE NO. (OLD)		DRAWN	DESIGNED	CHECKED	APPROVED
		SB.KURIYA	N.HARUBAYASHI	<i>K. Aoto</i>	<i>K. Aoto</i>
		'04 5 14	'99 4 19	04.5.17	04.5.17
DRAWING NO.			PART NO.		
EDC3-165294-01			GT5-1PP-HU(A) (70)		
SCALE			CODE NO.		
1 : 1			CL755-0039-1-70		
UNITS			1		
mm			1		

TO