

FD-55111-B

4

3

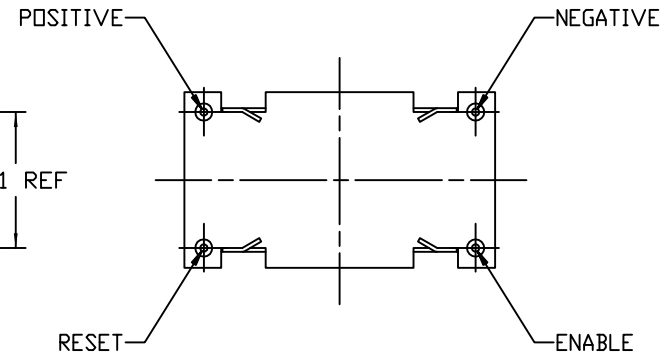
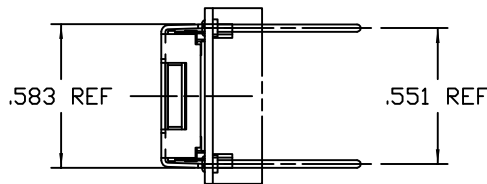
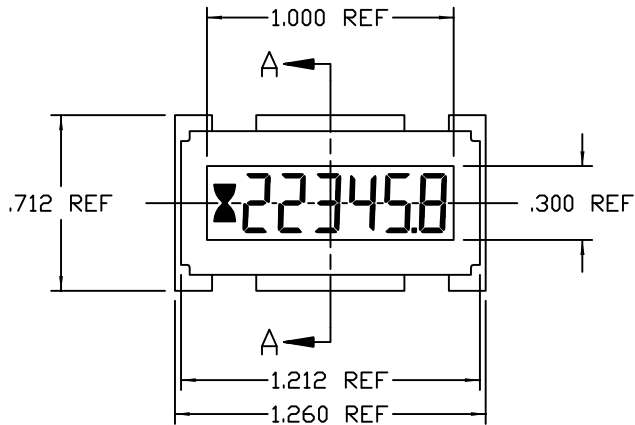
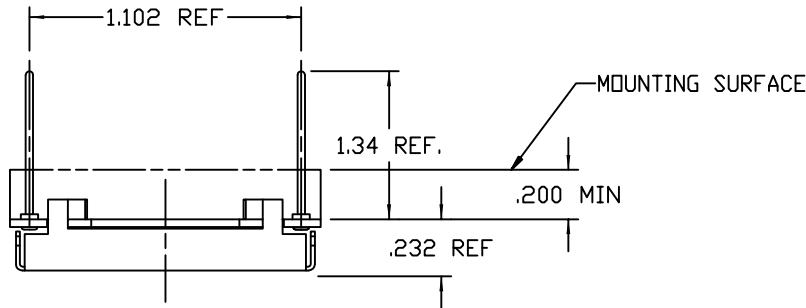


2

1

HONEYWELL PART NUMBER
98755

REV	DOCUMENT	CHANGED BY	CHECK
A	0019892	SK 29MAR06	AS



- NOTES:
- CAUTION, MODULE SUPPLIED WITH CRITICAL COMPONENTS EXPOSED. CUSTOMER MUST PROVIDE ADEQUATE PROTECTION FOR INTENDED APPLICATION.
 - PRODUCT CONTENT MUST COMPLY WITH THE REQUIREMENTS OF THE CURRENT RoHS DIRECTIVE.

DESIGN UNITS:	INCH
TOLERANCES UNLESS NOTED:	
NO PLACE	X ± 0.400
ONE PLACE	.X ± 0.030
TWO PLACE	.XX ± 0.015
THREE PLACE	.XXX ± 0.005
FOUR PLACE	.XXXX ± 0.0005
ANGLES	X ± 3

THIRD ANGLE PROJECTION

DRAWN	SK	29MAR06
CHECK	AS	29MAR06
THIS DRAWING COVERS A PROPRIETARY ITEM AND IS THE PROPERTY OF HONEYWELL. THIS DRAWING IS NOT TO BE COPIED OR USED WITHOUT THE PERMISSION OF HONEYWELL.		
INTERPRET PER ASME Y14.5M-1994 OTHER HONEYWELL ENGINEERING STANDARDS MAY APPLY		
AUTOCAD		2D

SIM. TD: 98750			
CUSTOMER PRINT			
Honeywell			
TITLE LCD HOURMETER MODULE W/ENABLE & RESET (9-64 V)			
SIZE	TYPE	DRAWING NAME	REV
B	I	98755	A
SCALE	2:1	SHEET	1 OF 1

4

3



2

1

Sensing and Control
Honeywell
 PO Box 19424
 Springfield, IL 62794-9424 USA

98000 SERIES LCD HOUR METER MODULE

FEATURES/SPECIFICATIONS	LCD MODULE 98755
RANGE	0 TO 99,999.9 hours
DIGIT HEIGHT	6 mm
RUNNING INDICATOR	FLASHING Hour Glass Icon
PIN	(Positive, Negative, Enable, Reset)
Memory	EEPROM (Non-volatile Memory)
ACCURACY Steady run (OVER VOLTAGE & TEMP. RANGE)	±200 ppm ; ± 0.02%
OPERATING VOLTAGE RANGES	9 to 64 V DC (RATED AT 12 V.)
TEMPERATURE RANGE Operating Storage	-40°C TO +80°C -40°C TO +85°C
VIBRATION (per MIL - M-3971D) (per SAE J1378)	10 g's 20 g's
SHOCK (per MIL - M-3971) (per SAE J1378)	75 g's 55 g's
TRANSIENT IMMUNITY TO	LOAD DUMP INDUCTIVE E M I REVERSE POLARITY
POWER CONSUMPTION 9 - 64 V meter (power terminal)	0.8 mA @ 12 V DC
START TIME 4 PIN (Enable line) configuration	No Delay
TERMINATION Pin	0.03 inch dia.
Copyright 2007 Honeywell International Inc.	