

S CN BN - J 1 1 75 - SO RLM

SUNTSU

CONNECTOR

BNC

Connector Type
Jack

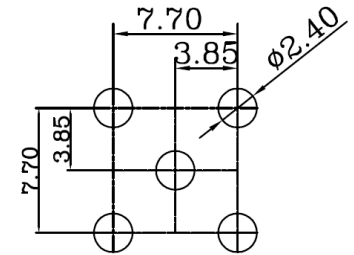
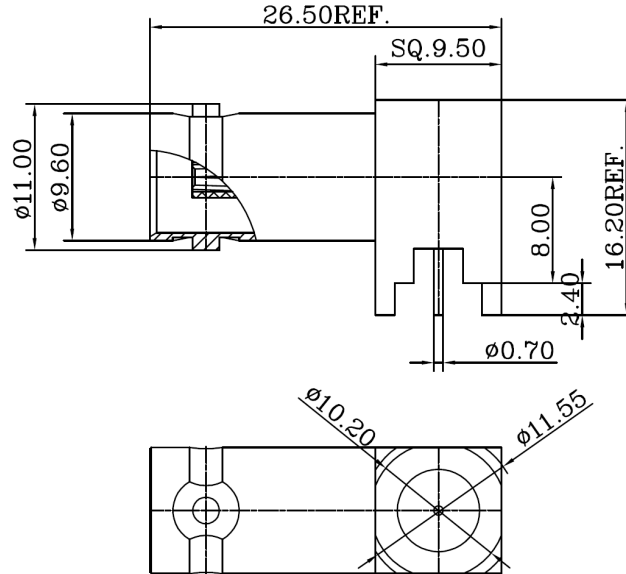
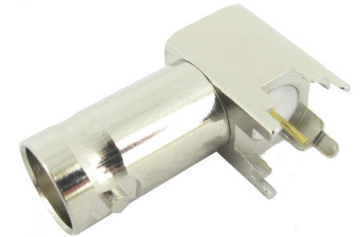
Rows

Connectors
per Row

Impedance
75

Contact Termination
Solder

Mounting Style
Right Angle with
Long Body PCB
Mount



**Recommended
Mounting
Layout**

1. Materials:

- a) Body: Brass Nickel Plated
- b) Contact: P-Bronze Gold Plated
- c) Insulator: Teflon White

- 2. Normal Impedance: 75Ω
- 3. Frequency Range: 0-1 GHz
- 4. Max Peak Voltage: 500V
- 5. Dielectric Strength: 1500V RMS
- 6. Insulation Resistance: 5000MΩ/Min.



**BNC FEMALE RIGHT ANGLE
PC MOUNT**

Document History				Part No.	Drawn
Edits Made	Date	Edited By	Approved By	SCNBN-J1175-SORLM	B. Gibbons 06/28/2021
Initial Release	06/28/2021	B. Gibbons	KH Mun	Scale	Tolerance
Corrected product 3D image	11/18/2021	B. Gibbons	KH Mun	Not drawn to scale	0.5-15 = +0.15 15-30 = +0.30 30-120 = +0.60 >120 = +1.00
				Unit	Pages
				mm	1/1