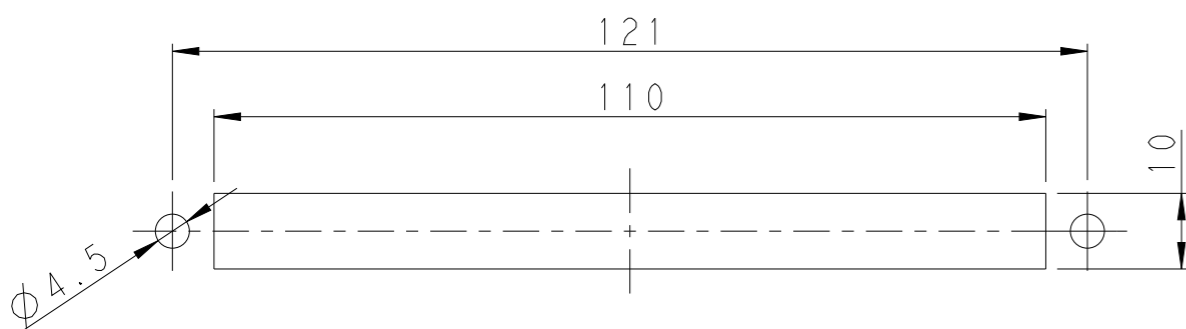
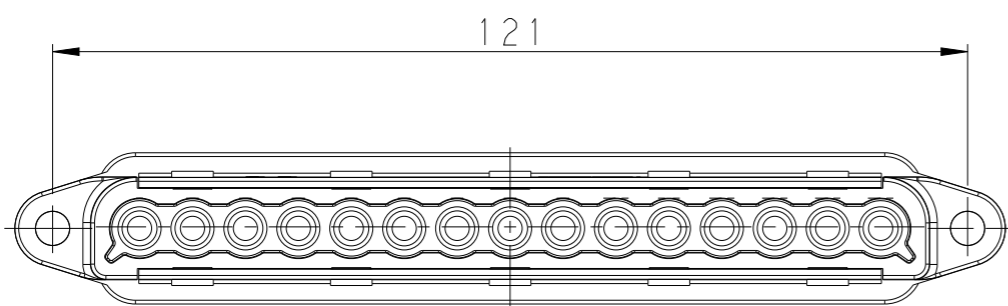
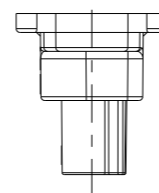
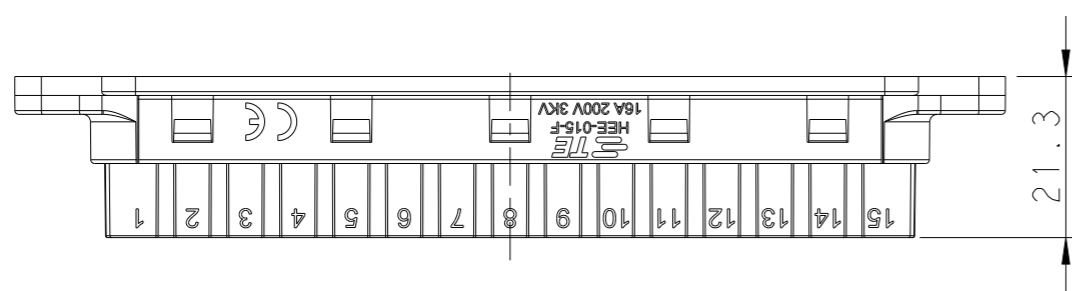
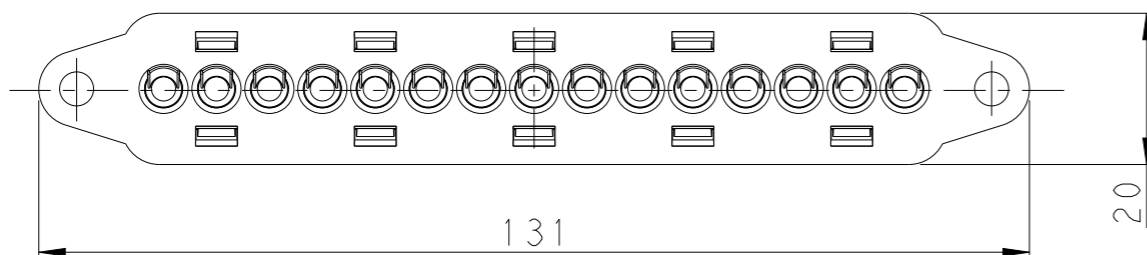
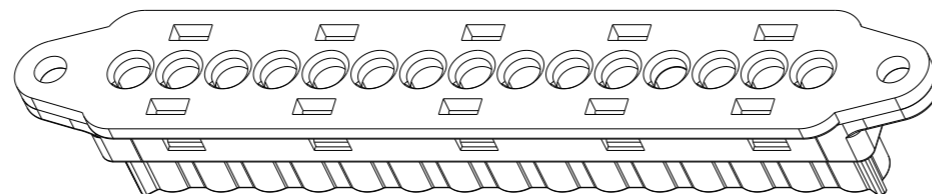


REVISIONS

P	LTR	DESCRIPTION	DATE	DWN	APVD
	A	INITIAL	10MAR2015	DL	CW
	B	ECR-21-108559	06AUG2021	BS	CW



PANEL CUT OUT FOR INSERTS FOR USING WITHOUT HOODS/HOUSINGS

NOTES:

- TECHNICAL CHARACTERISTICS:
 INSULATION MATERIAL: PA
 RATED VOLTAGE: 200 V
 RATED CURRENT: 16 A
 INSULATION RESISTANCE: $\geq 400M\Omega$
 RATED IMPULSE VOLTAGE: 3 KV
 FLAMMABILITY: UL94V-0
 MATING CYCLES: 200 FOR SILVER PLATED
 500 FOR GOLD PLATED
 WIRE RANGE: 1.5 mm² (16 AWG)
 CONTACT TYPE: CRIMP CONTACT
- CONTACT NEED TO BE ORDERED SEPARATELY.
 (ORDER NO.T0080002015-010)

注释:

- 技术参数:
 绝缘材料: PA
 额定电压: 200V
 额定电流: 16A
 绝缘电阻: $\geq 400M\Omega$
 额定脉冲电压: 3 KV
 阻燃等级: UL94V-0
 插拔次数: 镀银端子: 200次
 镀金端子: 500次
 接线范围: 1.5 mm² (16 AWG)
 接线类型: 冷压接
- 端子需要单独订购.
 (订单号 T0080002015-010)

THIS DRAWING IS A CONTROLLED DOCUMENT.

DIMENSIONS:	TOLERANCES UNLESS OTHERWISE SPECIFIED:
mm	
	0 PLC ±-
	1 PLC ±-
	2 PLC ±-
	3 PLC ±-
	4 PLC ±-
	ANGLES ±-
MATERIAL	FINISH
-	-
-	-

DWN	10MAR2015
DAVID LI	
CHK	10MAR2015
CHRIS WANG	
APVD	10MAR2015
XU XIANG	
PRODUCT SPEC	
-	
APPLICATION SPEC	
-	
WEIGHT	-
Customer Drawing	

HEE-015-F	T2800152201-000
DESCRIPTION	PART NUMBER



NAME		HEE-015-F	
SIZE	CAGE CODE	DRAWING NO	RESTRICTED TO
A3	-	©-T2800152201000	-
SCALE		SHEET	REV
1:1		1 OF 1	B