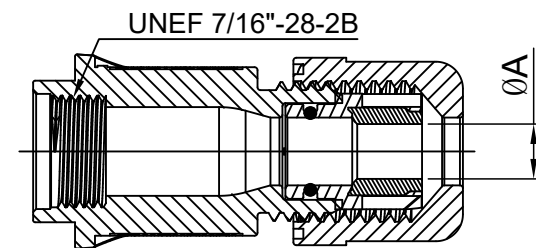
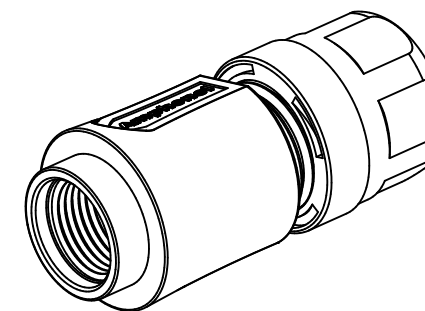
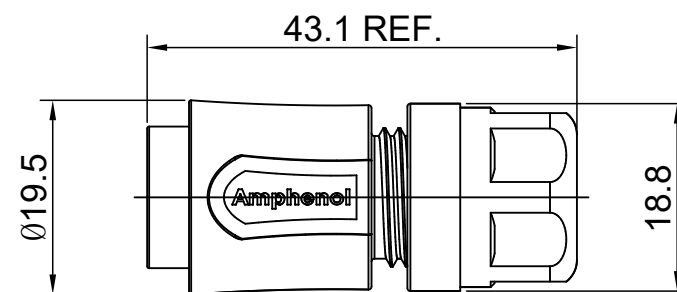
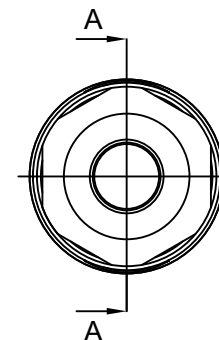


REVISIONS					
REV	ECO	DESCRIPTION	DATE	BY	APPR
01	-	RELEASED NUMBER	2018-02-28	Nick	TOMMY



SECTION A-A



DIMENSION ØA	CABLE OD RANGE
5.5 MM	1.5~5.0MM
6.8 MM	2.5~6.5MM

NOTES: (UNLESS OTHERWISE SPECIFIED)

- MATERIAL:
 O-RING: SILICONE RUBBER.
 BACK SHELL: THERMOPLASTIC, UL94 V-0.
 CLAMP NUT: THERMOPLASTIC, UL94 V-0.
 CLAMP RING: THERMOPLASTIC, UL94 V-0.
 CABLE SEAL: EPDM.
- RoHS COMPLIANT.
- ALL DIMENSIONS ARE FOR REFERENCE USE ONLY.

QUANTITY	PART NUMBER	DESCRIPTION	ITEM										
MATERIALS LIST													
UNLESS OTHERWISE SPECIFIED: 1) All dimensions are in metric(mm). 2) Tolerances are as follows: 1 PL DEC ±0.30 2 PL DEC ±0.15 3 PL DEC ±0.08 Fractions ±1/64 Angles ±1° 3) Note reference =		<table border="1"> <thead> <tr> <th>SIGNATURES</th> <th>DATE</th> </tr> </thead> <tbody> <tr> <td>DRAWN: Nick</td> <td>2018-02-28</td> </tr> <tr> <td>CHECKED: Tod</td> <td>2018-02-28</td> </tr> <tr> <td>ENGINEER:</td> <td></td> </tr> <tr> <td>APPROVAL: Tommy</td> <td>2018-02-28</td> </tr> </tbody> </table>		SIGNATURES	DATE	DRAWN: Nick	2018-02-28	CHECKED: Tod	2018-02-28	ENGINEER:		APPROVAL: Tommy	2018-02-28
SIGNATURES	DATE												
DRAWN: Nick	2018-02-28												
CHECKED: Tod	2018-02-28												
ENGINEER:													
APPROVAL: Tommy	2018-02-28												
MATERIAL SPECIFICATIONS:		<h1>Amphenol</h1> <p>Sine Systems - www.amphenol-sine.com 44724 Morley Drive Clinton Township, MI 48036</p>											
PROCESS SPECIFICATIONS:		<p>ECO-MATE, CORD GRIP, RTS ,SIZE 8.</p>											
NEXT ASSY:		<table border="1"> <tr> <td>SIZE: B</td> <td>TYPE: C-</td> <td>DWG NO: RTSOL-8CG</td> <td>REVISION: A1</td> </tr> <tr> <td colspan="2">SCALE: NONE</td> <td colspan="2">SHEET 1 OF 1</td> </tr> </table>		SIZE: B	TYPE: C-	DWG NO: RTSOL-8CG	REVISION: A1	SCALE: NONE		SHEET 1 OF 1			
SIZE: B	TYPE: C-	DWG NO: RTSOL-8CG	REVISION: A1										
SCALE: NONE		SHEET 1 OF 1											

TITLE: ECO-MATE, CORD GRIP, RTS, SIZE 8

DWG NO:

RTSOL-8CG

REV: A1

SH: 1

OF: 1