

# CY3280-SRM UNIVERSAL SRM MODULE BOARD KIT QUICK START GUIDE

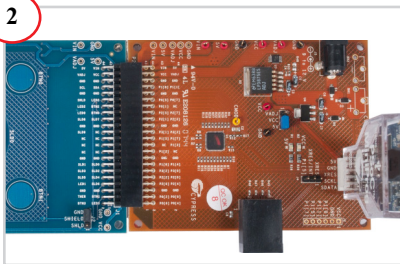
1



1. Insert the kit DVD in the CD/DVD drive.
2. Install the kit content, PSoC® Designer™, and PSoC Programmer.

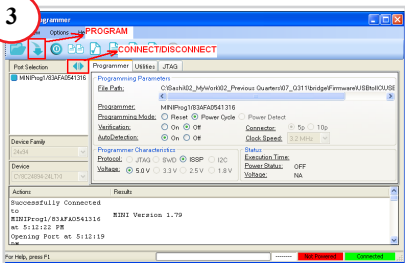
**Note** The hardware prerequisites for this kit are any CY3280 Universal CapSense Controller (UCC) board, such as the latest CY3280-20x66 DVK, and MiniProg1.

2



1. Connect the CY3280-SRM board to the CY3280-20x34 UCC board's P2 connector.
2. In the CY3280-20x34 board, place the jumper on header J1 to short pins 2 and 3.
3. In the CY3280-SRM board, place the jumper on header J2 to short pins 2 and 3.

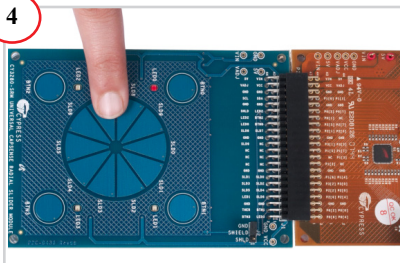
3



1. Connect MiniProg1 to the CY3280-20x34 UCC board's ISSP connector (J3). Connect it to your PC using a USB cable.
2. Open PSoC Programmer and click File > File Load. Browse and load the *CY3280\_SRM\_20x34.hex* file\*.
3. Click Connect; connect MiniProg1 to PC.
4. Click Program button to program the device.
5. Click Toggle button to power the board.

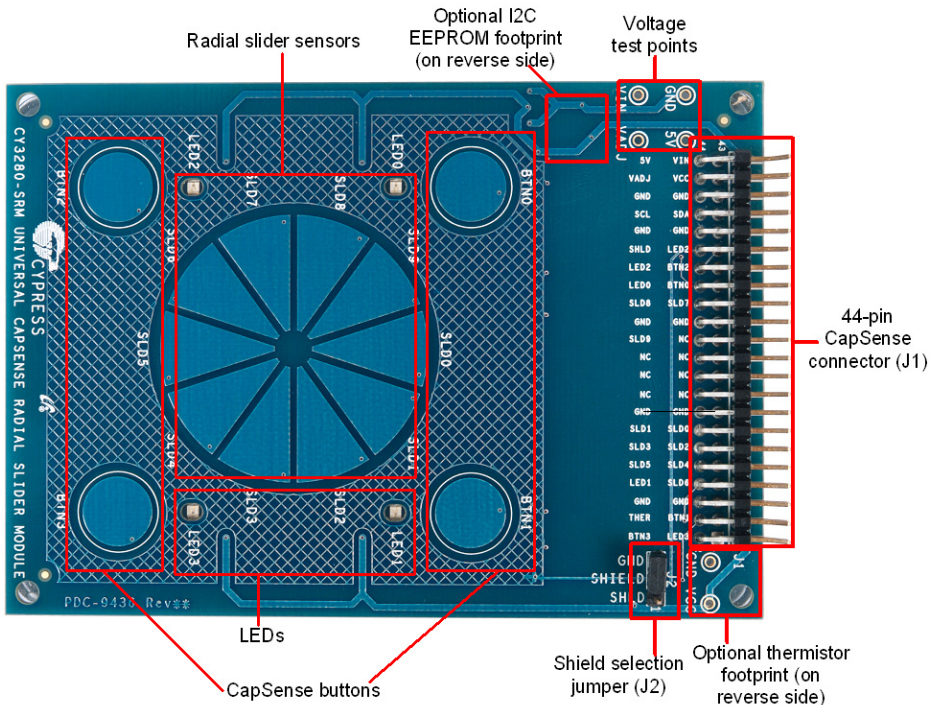
\* **Note** This file is located at: <Install directory>\Cypress\CY3280-SRM<version>\Firmware\20x34\_CSA\PD project 1\CY3280\_SRM\_20x34\CY3280\_SRM\_20x34.hex

4



1. Touch and move the radial slider on the CY3280-SRM module board. The corresponding LEDs on the CY3280-SRM board light up.
2. Touch a button. The corresponding LED on the CY3280-SRM module board lights up.
3. You can touch multiple buttons at the same time. The radial slider and buttons can be used at the same time.

## CY3280-SRM Kit Details



### Notes

- For more details on code examples, refer to the PDF file along with the project in the Firmware folder (for example, *Readme\_SRM\_21x34\_CSD\_PD1.pdf*) in the following directory:  
<Install directory>\Cypress\CY3280-SRM\<version>Firmware\21x34\_CSD\PD project 1.
- CY3280-SRM can be used with any of the following UCCs:
  - CY3280- 20x66
  - CY3280- 24x94
  - CY3280- 21x34 (ordering part number is CY3280-BK1)

For the latest information about this kit, visit  
[www.cypress.com/go/CY3280-SRM](http://www.cypress.com/go/CY3280-SRM)

