

# CC2662R-Q1 SimpleLink™ Wireless BMS MCU

## 1 Features

### Wireless microcontroller

- Powerful 48-MHz Arm® Cortex®-M4 processor
- EEMBC CoreMark® score: 148
- 352KB flash program memory
- 256KB of ROM for protocols and library functions
- 8KB of cache SRAM
- 80KB of ultra-low leakage SRAM with parity for high-reliability operation
- 2-pin cJTAG and JTAG debugging
- Supports over-the-air upgrade (OTA)
- Programmable radio supporting SimpleLink™ WBMS

### Ultra-low power sensor controller

- Autonomous MCU with 4KB of SRAM
- Sample, store, and process sensor data
- Fast wake-up for low-power operation
- Software defined peripherals; capacitive touch, flow meter, LCD

### Qualified for automotive application

- AEC-Q100 qualified with the following results:
  - Device temperature grade 2: –40°C to +105°C ambient operating temperature range
  - Device HBM ESD Classification Level 2
  - Device CDM ESD Classification Level C3
- [Functional Safety Quality-Managed](#)
  - Documentation available to aid functional safety system design

### Low power consumption

- MCU consumption:
  - 3.4 mA active mode, CoreMark®
  - 71 µA/MHz running CoreMark®
  - 0.94 µA standby mode, RTC, 80KB RAM
  - 0.15 µA shutdown mode, wake-up on pin
- Ultra low-power sensor controller consumption:
  - 31.9 µA in 2 MHz mode
  - 808.5 µA in 24 MHz mode
- Radio consumption
  - 6.9 mA RX
  - 7.3 mA TX at 0 dBm
  - 9.6 mA TX at +5 dBm

### Wireless protocol support

- [SimpleLink™ WBMS](#)

### High performance radio

- –92 dBm RX sensitivity for proprietary WBMS protocol
- Output power up to +5 dBm with temperature compensation

### Regulatory compliance

- Suitable for systems targeting compliance with these standards:
  - ETSI EN 300 328, EN 300 440 Cat. 2 and 3
  - FCC CFR47 Part 15
  - ARIB STD-T66

### MCU peripherals

- Digital peripherals can route to any of 31 GPIOs
- Four 32-bit or eight 16-bit general-purpose timers
- 12-bit ADC, 200 kSamples/s, 8 channels
- 8-bit DAC
- Two comparators
- Two UART, Two SSI, I<sup>2</sup>C, I<sup>2</sup>S
- Real-time clock (RTC)
- Integrated temperature and battery monitor

### Security enablers

- AES 128- and 256-bit cryptographic accelerator
- ECC and RSA public key hardware accelerator
- SHA2 Accelerator (full suite up to SHA-512)
- True random number generator (TRNG)

### Development tools and software

- CC2662RQ1-EVM-WBMS Development Kit
- [SimpleLink™ WBMS Software Development Kit](#)
- [SmartRF™ Studio](#) for simple radio configuration
- [Sensor Controller Studio](#) for building low-power sensing applications
- [SysConfig](#) system configuration tool

### Operating range

- On-chip buck DC/DC converter
- 1.8-V to 3.63-V single supply voltage
- –40 to +105°C

### Package

- 7-mm × 7-mm RGZ VQFN48 with wettable flanks (31 GPIOs)
- RoHS-compliant package



## 2 Applications

- [Automotive](#)

- [Wireless battery management system \(BMS\)](#)
- Cable replacement

## 3 Description

The SimpleLink™ 2.4 GHz CC2662R-Q1 device is an AEC-Q100 compliant wireless microcontroller (MCU) targeting wireless automotive applications. The device is optimized for low-power wireless communication in applications such as [battery management systems \(BMS\)](#) and cable replacement. The highlighted features of this device include:

- Support for [TI's SimpleLink wireless BMS \(WBMS\) protocol](#) for robust, low latency and high throughput communication.
- [Functional Safety Quality-Managed](#) classification including TI quality-managed development process and forthcoming functional safety FIT rate calculation, FMEDA and functional safety documentation.
- AEC-Q100 qualified for Grade 2 temperature range (–40 °C to +105 °C) and is offered in a 7-mm x 7-mm VQFN package with wettable flanks.
- Low standby current of 0.94 µA with full RAM retention.
- Excellent radio link budget of 97 dBm.

The CC2662R-Q1 device is part of the SimpleLink™ MCU platform, which consists of Wi-Fi®, *Bluetooth* Low Energy, Thread, Zigbee®, Sub-1 GHz MCUs, and host MCUs that all share a common, easy-to-use development environment and rich tool set. For more information, visit [SimpleLink™ MCU platform](#).

### Device Information<sup>(1)</sup>

| PART NUMBER       | PACKAGE   | BODY SIZE (NOM)   |
|-------------------|-----------|-------------------|
| CC2662R1FTWRGZRQ1 | VQFN (48) | 7.00 mm × 7.00 mm |

- (1) For the most current part, package, and ordering information for all available devices, see the *Package Option Addendum* or see the [TI website](#).

## 4 Functional Block Diagram

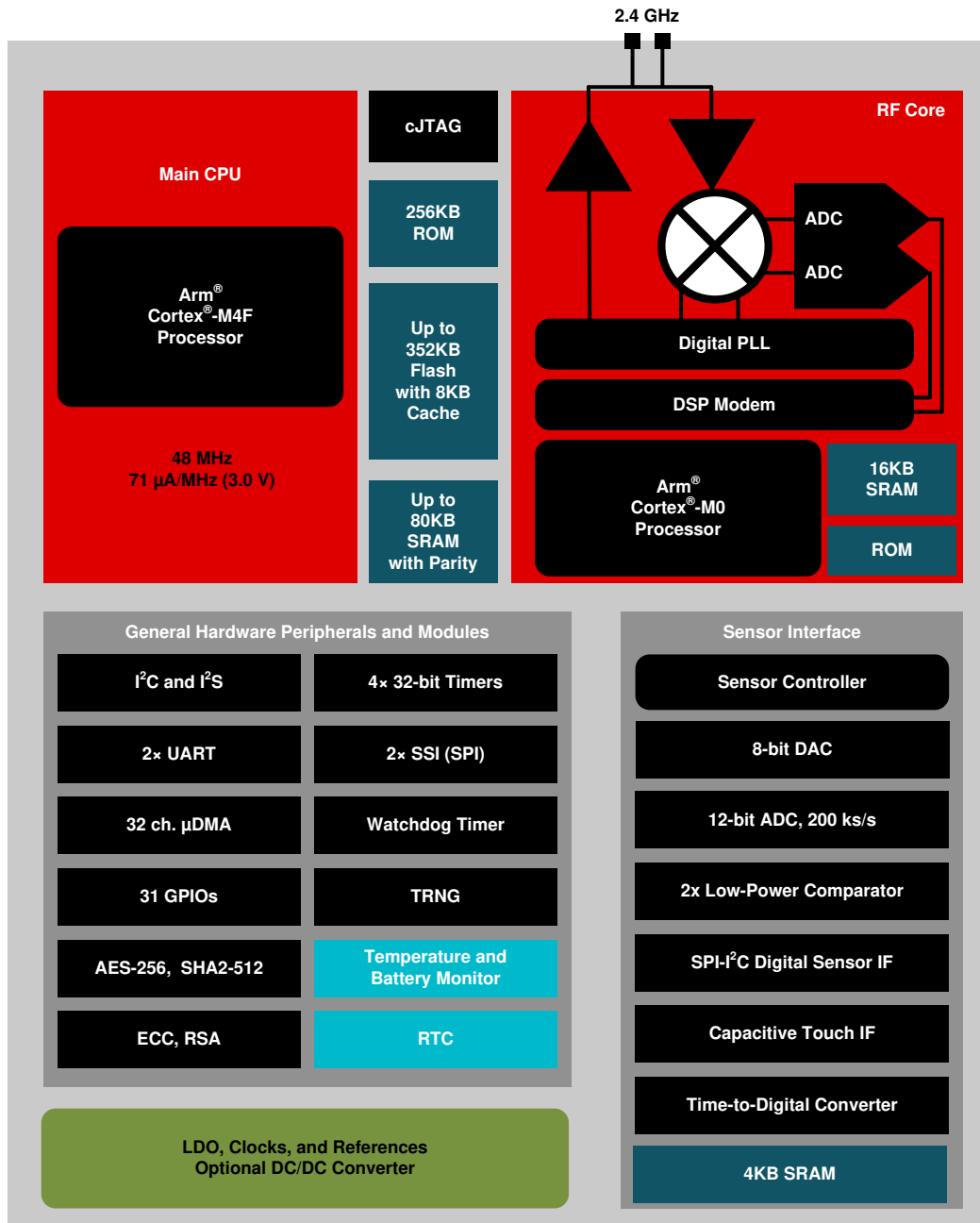


Figure 4-1. CC2662R-Q1 Block Diagram

## Table of Contents

|   |    |  |    |
|---|----|--|----|
| <b>1 Features</b> .....                             | 1  | 9.2 System CPU.....  | 31 |
| <b>2 Applications</b> .....                         | 2  | 9.3 Radio (RF Core).....   | 32 |
| <b>3 Description</b> .....                          | 2  | 9.4 Memory.....  | 33 |
| <b>4 Functional Block Diagram</b> .....             | 3  | 9.5 Sensor Controller.....                                       | 34 |
| <b>5 Revision History</b> .....                     | 4  | 9.6 Cryptography.....  | 35 |
| <b>6 Device Comparison</b> .....                    | 5  | 9.7 Timers.....  | 36 |
| <b>7 Terminal Configuration and Functions</b> ..... | 6  | 9.8 Serial Peripherals and I/O.....                              | 37 |
| 7.1 Pin Diagram – RGZ Package (Top View).....       | 6  | 9.9 Battery and Temperature Monitor.....                         | 37 |
| 7.2 Signal Descriptions.....                        | 7  | 9.10 $\mu$ DMA.....  | 37 |
| 7.3 Connections for Unused Pins and Modules.....    | 8  | 9.11 Debug.....  | 37 |
| <b>8 Specifications</b> .....                       | 9  | 9.12 Power Management.....                                       | 38 |
| 8.1 Absolute Maximum Ratings.....                   | 9  | 9.13 Clock Systems.....  | 39 |
| 8.2 ESD Ratings.....                                | 9  | 9.14 Network Processor.....                                      | 39 |
| 8.3 Recommended Operating Conditions.....           | 9  | <b>10 Application, Implementation, and Layout</b> .....          | 40 |
| 8.4 Power Supply and Modules.....                   | 9  | 10.1 Reference Designs.....                                      | 40 |
| 8.5 Power Consumption - Power Modes.....            | 10 | 10.2 Junction Temperature Calculation.....                       | 41 |
| 8.6 Power Consumption - Radio Modes.....            | 11 | <b>11 Device and Documentation Support</b> .....                 | 42 |
| 8.7 Nonvolatile (Flash) Memory Characteristics..... | 11 | 11.1 Device Nomenclature.....                                    | 42 |
| 8.8 Thermal Resistance Characteristics.....         | 11 | 11.2 Tools and Software.....                                     | 42 |
| 8.9 Receive (RX).....                               | 12 | 11.3 Documentation Support.....                                  | 45 |
| 8.10 Transmit (TX).....                             | 13 | 11.4 Support Resources.....                                      | 46 |
| 8.11 Timing and Switching Characteristics.....      | 13 | 11.5 Trademarks.....   | 46 |
| 8.12 Peripheral Characteristics.....                | 18 | 11.6 Electrostatic Discharge Caution.....                        | 46 |
| 8.13 Typical Characteristics.....                   | 25 | 11.7 Glossary.....   | 46 |
| <b>9 Detailed Description</b> .....                 | 31 | <b>12 Mechanical, Packaging, and Orderable Information</b> ..... | 47 |
| 9.1 Overview.....                                   | 31 |  |    |

## 5 Revision History

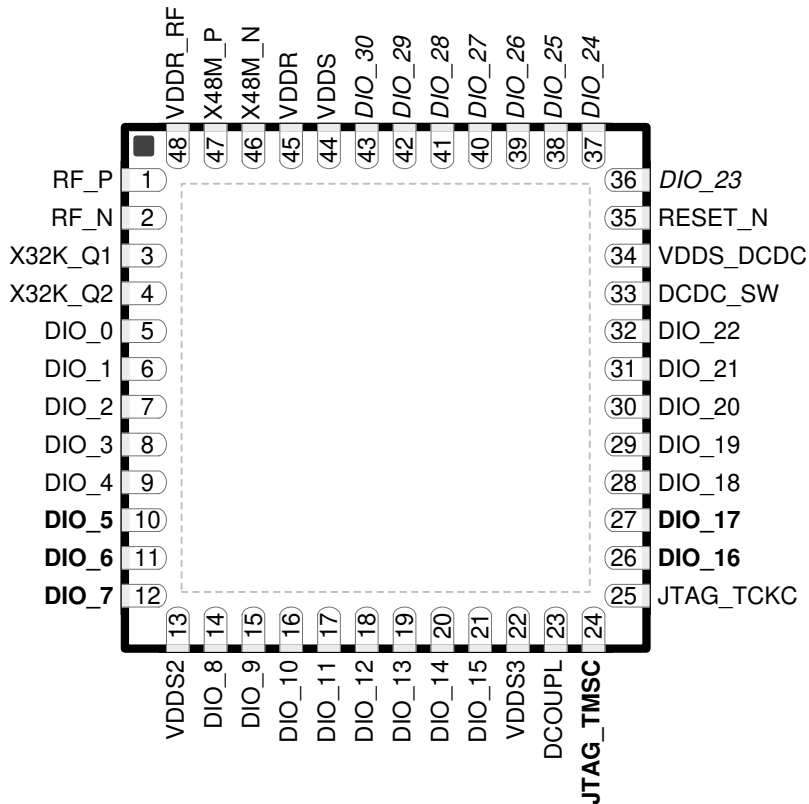
| Changes from Revision * (December 2020) to Revision A (June 2022)                        | Page |
|--|------|
| • Updated numbering of sections, figures, and tables throughout the data sheet.....      | 1    |
| • Updated formatting throughout data sheet to match current documentation standards..... | 1    |
| • Added PRODUCTION DATA.....   | 1    |

## 6 Device Comparison

| Device      | RADIO SUPPORT   |              |                |         |          |               |        |        |               |            | FLASH (KB) | RAM + Cache (KB) | GPIO  | PACKAGE SIZE       |                    |                    |                    |                    |
|-------------|-----------------|--------------|----------------|---------|----------|---------------|--------|--------|---------------|------------|------------|------------------|-------|--------------------|--------------------|--------------------|--------------------|--------------------|
|             | Sub-1 GHz Prop. | 2.4GHz Prop. | Wireless M-Bus | WI-SUN® | Sidewalk | Bluetooth® LE | ZigBee | Thread | Multiprotocol | +20 dBm PA |            |                  |       | 4 X 4 mm VQFN (24) | 4 X 4 mm VQFN (32) | 5 X 5 mm VQFN (32) | 5 X 5 mm VQFN (40) | 7 X 7 mm VQFN (48) |
| CC1310      | X               |              | X              |         |          |               |        |        |               |            | 32-128     | 16-20 + 8        | 10-30 |                    | X                  | X                  |                    | X                  |
| CC1311R3    | X               |              | X              |         |          |               |        |        |               |            | 352        | 32 + 8           | 22-30 |                    |                    |                    | X                  | X                  |
| CC1311P3    | X               |              | X              |         |          |               |        |        |               | X          | 352        | 32 + 8           | 26    |                    |                    |                    |                    | X                  |
| CC1312R     | X               |              | X              | X       |          |               |        |        |               |            | 352        | 80 + 8           | 30    |                    |                    |                    |                    | X                  |
| CC1312R7    | X               |              | X              | X       | X        |               |        |        | X             |            | 704        | 144 + 8          | 30    |                    |                    |                    |                    | X                  |
| CC1352R     | X               | X            | X              | X       |          | X             | X      | X      | X             |            | 352        | 80 + 8           | 28    |                    |                    |                    |                    | X                  |
| CC1352P     | X               | X            | X              | X       |          | X             | X      | X      | X             | X          | 352        | 80 + 8           | 26    |                    |                    |                    |                    | X                  |
| CC1352P7    | X               | X            | X              | X       | X        | X             | X      | X      | X             | X          | 704        | 144 + 8          | 26    | X                  |                    |                    |                    | X                  |
| CC2340R2    |                 | X            |                |         |          | X             | X      |        |               |            | 256        | 28               | 12    | X                  |                    |                    | X                  |                    |
| CC2340R5    |                 | X            |                |         |          | X             | X      | X      |               |            | 512        | 36               | 12-26 | X                  |                    |                    | X                  |                    |
| CC2340R5-Q1 |                 |              |                |         |          | X             |        |        |               |            | 512        | 36               | 19    |                    |                    | X                  |                    |                    |
| CC2640R2F   |                 |              |                |         |          | X             |        |        |               |            | 128        | 20 + 8           | 10-31 |                    | X                  | X                  |                    | X                  |
| CC2642R     |                 |              |                |         |          | X             |        |        |               |            | 352        | 80 + 8           | 31    |                    |                    |                    |                    | X                  |
| CC2642R-Q1  |                 |              |                |         |          | X             |        |        |               |            | 352        | 80 + 8           | 31    |                    |                    |                    |                    | X                  |
| CC2651R3    |                 | X            |                |         |          | X             | X      |        |               |            | 352        | 32 + 8           | 23-31 |                    |                    |                    | X                  | X                  |
| CC2651P3    |                 | X            |                |         |          | X             | X      |        |               | X          | 352        | 32 + 8           | 22-26 |                    |                    |                    | X                  | X                  |
| CC2652R     |                 | X            |                |         |          | X             | X      | X      | X             |            | 352        | 80 + 8           | 31    |                    |                    |                    |                    | X                  |
| CC2652RB    |                 | X            |                |         |          | X             | X      | X      | X             |            | 352        | 80 + 8           | 31    |                    |                    |                    |                    | X                  |
| CC2652R7    |                 | X            |                |         |          | X             | X      | X      | X             |            | 704        | 144 + 8          | 31    |                    |                    |                    |                    | X                  |
| CC2652P     |                 | X            |                |         |          | X             | X      | X      | X             | X          | 352        | 80 + 8           | 26    |                    |                    |                    |                    | X                  |
| CC2652P7    |                 | X            |                |         |          | X             | X      | X      | X             | X          | 704        | 144 + 8          | 26    |                    |                    |                    |                    | X                  |
| CC2662R-Q1  |                 | X            |                |         |          |               |        |        |               |            | 352        | 80 + 8           | 31    |                    |                    |                    |                    | X                  |

## 7 Terminal Configuration and Functions

### 7.1 Pin Diagram – RGZ Package (Top View)



**Figure 7-1. RGZ (7-mm × 7-mm) Pinout, 0.5-mm Pitch (Top View)**

The following I/O pins marked in [Figure 7-1](#) in **bold** have high-drive capabilities:

- Pin 10, DIO\_5
- Pin 11, DIO\_6
- Pin 12, DIO\_7
- Pin 24, JTAG\_TMISC
- Pin 26, DIO\_16
- Pin 27, DIO\_17

The following I/O pins marked in [Figure 7-1](#) in *italics* have analog capabilities:

- Pin 36, DIO\_23
- Pin 37, DIO\_24
- Pin 38, DIO\_25
- Pin 39, DIO\_26
- Pin 40, DIO\_27
- Pin 41, DIO\_28
- Pin 42, DIO\_29
- Pin 43, DIO\_30

## 7.2 Signal Descriptions

**Table 7-1. Signal Descriptions – RGZ Package**

| PIN        |     | I/O | TYPE              | DESCRIPTION  |
|------------|-----|-----|-------------------|--|
| NAME       | NO. |     |                   |  |
| DCDC_SW    | 33  | —   | Power             | Output from internal DC/DC converter <sup>(1)</sup>  |
| DCOUPPL    | 23  | —   | Power             | 1.27-V regulated digital-supply (decoupling capacitor) <sup>(2)</sup>  |
| DIO_0      | 5   | I/O | Digital           | GPIO, Sensor Controller  |
| DIO_1      | 6   | I/O | Digital           | GPIO, Sensor Controller  |
| DIO_2      | 7   | I/O | Digital           | GPIO, Sensor Controller  |
| DIO_3      | 8   | I/O | Digital           | GPIO, Sensor Controller  |
| DIO_4      | 9   | I/O | Digital           | GPIO, Sensor Controller  |
| DIO_5      | 10  | I/O | Digital           | GPIO, Sensor Controller, high-drive capability   |
| DIO_6      | 11  | I/O | Digital           | GPIO, Sensor Controller, high-drive capability   |
| DIO_7      | 12  | I/O | Digital           | GPIO, Sensor Controller, high-drive capability   |
| DIO_8      | 14  | I/O | Digital           | GPIO   |
| DIO_9      | 15  | I/O | Digital           | GPIO   |
| DIO_10     | 16  | I/O | Digital           | GPIO   |
| DIO_11     | 17  | I/O | Digital           | GPIO   |
| DIO_12     | 18  | I/O | Digital           | GPIO   |
| DIO_13     | 19  | I/O | Digital           | GPIO   |
| DIO_14     | 20  | I/O | Digital           | GPIO   |
| DIO_15     | 21  | I/O | Digital           | GPIO   |
| DIO_16     | 26  | I/O | Digital           | GPIO, JTAG_TDO, high-drive capability  |
| DIO_17     | 27  | I/O | Digital           | GPIO, JTAG_TDI, high-drive capability  |
| DIO_18     | 28  | I/O | Digital           | GPIO   |
| DIO_19     | 29  | I/O | Digital           | GPIO   |
| DIO_20     | 30  | I/O | Digital           | GPIO   |
| DIO_21     | 31  | I/O | Digital           | GPIO   |
| DIO_22     | 32  | I/O | Digital           | GPIO   |
| DIO_23     | 36  | I/O | Digital or Analog | GPIO, Sensor Controller, analog  |
| DIO_24     | 37  | I/O | Digital or Analog | GPIO, Sensor Controller, analog  |
| DIO_25     | 38  | I/O | Digital or Analog | GPIO, Sensor Controller, analog  |
| DIO_26     | 39  | I/O | Digital or Analog | GPIO, Sensor Controller, analog  |
| DIO_27     | 40  | I/O | Digital or Analog | GPIO, Sensor Controller, analog  |
| DIO_28     | 41  | I/O | Digital or Analog | GPIO, Sensor Controller, analog  |
| DIO_29     | 42  | I/O | Digital or Analog | GPIO, Sensor Controller, analog  |
| DIO_30     | 43  | I/O | Digital or Analog | GPIO, Sensor Controller, analog  |
| EGP        | —   | —   | GND               | Ground – exposed ground pad  |
| JTAG_TMISC | 24  | I/O | Digital           | JTAG TMISC, high-drive capability  |
| JTAG_TCKC  | 25  | I   | Digital           | JTAG TCKC  |
| RESET_N    | 35  | I   | Digital           | Reset, active low. No internal pullup resistor   |
| RF_P       | 1   | —   | RF                | Positive RF input signal to LNA during RX<br>Positive RF output signal from PA during TX   |
| RF_N       | 2   | —   | RF                | Negative RF input signal to LNA during RX<br>Negative RF output signal from PA during TX   |
| VDDR       | 45  | —   | Power             | 1.7-V to 1.95-V supply, must be powered from the internal DC/DC converter or the internal Global LDO <sup>(3)</sup> <sup>(2)</sup> |

**Table 7-1. Signal Descriptions – RGZ Package (continued)**

| PIN       |     | I/O | TYPE   | DESCRIPTION  |
|-----------|-----|-----|--------|--|
| NAME      | NO. |     |        |  |
| VDDR_RF   | 48  | —   | Power  | 1.7-V to 1.95-V supply, must be powered from the internal DC/DC converter or the internal Global LDO <sup>(4)</sup> <sup>(2)</sup> |
| VDDS      | 44  | —   | Power  | 1.8-V to 3.63-V main chip supply <sup>(1)</sup>  |
| VDDS2     | 13  | —   | Power  | 1.8-V to 3.63-V DIO supply <sup>(1)</sup>  |
| VDDS3     | 22  | —   | Power  | 1.8-V to 3.63-V DIO supply <sup>(1)</sup>  |
| VDDS_DCDC | 34  | —   | Power  | 1.8-V to 3.63-V DC/DC converter supply   |
| X48M_N    | 46  | —   | Analog | 48-MHz crystal oscillator pin 1  |
| X48M_P    | 47  | —   | Analog | 48-MHz crystal oscillator pin 2  |
| X32K_Q1   | 3   | —   | Analog | 32-kHz crystal oscillator pin 1  |
| X32K_Q2   | 4   | —   | Analog | 32-kHz crystal oscillator pin 2  |

- (1) For more details, see the technical reference manual listed in [Section 11.3](#).  
(2) Do not supply external circuitry from this pin.  
(3) If internal DC/DC converter is not used, this pin is supplied internally from the Global LDO.  
(4) If internal DC/DC converter is not used, this pin must be connected to VDDR for supply from the Global LDO.

### 7.3 Connections for Unused Pins and Modules

**Table 7-2. Connections for Unused Pins**

| FUNCTION                       | SIGNAL NAME | PIN NUMBER | ACCEPTABLE PRACTICE <sup>(1)</sup> | PREFERRED PRACTICE <sup>(1)</sup> |
|--------------------------------|-------------|------------|------------------------------------|-----------------------------------|
| GPIO                           | DIO_n       | 5–12       | NC or GND                          | NC                                |
|                                |             | 14–21      |                                    |                                   |
|                                |             | 26–32      |                                    |                                   |
|                                |             | 36–43      |                                    |                                   |
| 32.768-kHz crystal             | X32K_Q1     | 3          | NC                                 | NC                                |
|                                | X32K_Q2     | 4          |                                    |                                   |
| DC/DC converter <sup>(2)</sup> | DCDC_SW     | 33         | NC                                 | NC                                |
|                                | VDDS_DCDC   | 34         | VDDS                               | VDDS                              |

- (1) NC = No connect  
(2) When the DC/DC converter is not used, the inductor between DCDC\_SW and VDDR can be removed. VDDR and VDDR\_RF must still be connected and the VDDR decoupling capacitor must be connected and moved close to VDDR.



## 8 Specifications

### 8.1 Absolute Maximum Ratings

over operating free-air temperature range (unless otherwise noted)<sup>(1) (2)</sup>

|                                 |   | MIN   | MAX                              | UNIT |
|---------------------------------|---|---|----------------------------------|------|
| V <sub>DD5</sub> <sup>(3)</sup> | Supply voltage  | -0.3  | 4.1                              | V    |
|                                 | Voltage on any digital pin <sup>(4) (5)</sup>                           | -0.3  | V <sub>DD5</sub> + 0.3, max 4.1  | V    |
|                                 | Voltage on crystal oscillator pins, X32K_Q1, X32K_Q2, X48M_N and X48M_P | -0.3  | V <sub>DD5</sub> + 0.3, max 2.25 | V    |
| V <sub>in</sub>                 | Voltage on ADC input  | Voltage scaling enabled                                 | V <sub>DD5</sub>                 | V    |
|                                 |   | Voltage scaling disabled, internal reference            | 1.49                             |      |
|                                 |   | Voltage scaling disabled, V <sub>DD5</sub> as reference | V <sub>DD5</sub> / 2.9           |      |
| T <sub>stg</sub>                | Storage temperature   | -40   | 150                              | °C   |

- (1) Stresses beyond those listed under *Absolute Maximum Ratings* may cause permanent damage to the device. These are stress ratings only, and functional operation of the device at these or any other conditions beyond those indicated under *Recommended Operating Conditions* is not implied. Exposure to absolute-maximum-rated conditions for extended periods may affect device reliability.
- (2) All voltage values are with respect to ground, unless otherwise noted.
- (3) V<sub>DD5</sub>2 and V<sub>DD5</sub>3 must be at the same potential as V<sub>DD5</sub>.
- (4) Including analog capable DIO.
- (5) Injection current is not supported on any GPIO pin

### 8.2 ESD Ratings

|                  |                         |   | VALUE    | UNIT  |   |
|------------------|-------------------------|---|----------|-------|---|
| V <sub>ESD</sub> | Electrostatic discharge | Human body model (HBM), per AEC Q100-002 <sup>(1) (2)</sup> | All pins | ±2000 | V |
|                  |                         | Charged device model (CDM), per AEC Q100-011 <sup>(3)</sup> | All pins | ±500  | V |

- (1) AEC Q100-002 indicates HBM stressing is done in accordance with the ANSI/ESDA/JEDEC JS-001 specification.
- (2) JEDEC document JEP155 states that 500-V HBM allows safe manufacturing with a standard ESD control process
- (3) JEDEC document JEP157 states that 250-V CDM allows safe manufacturing with a standard ESD control process

### 8.3 Recommended Operating Conditions

over operating free-air temperature range (unless otherwise noted)

|   | MIN | MAX  | UNIT  |
|---|-----|------|-------|
| Operating ambient temperature range             | -40 | 105  | °C    |
| Operating supply voltage (V <sub>DD5</sub> )    | 1.8 | 3.63 | V     |
| Rising supply voltage slew rate                 | 0   | 100  | mV/μs |
| Falling supply voltage slew rate <sup>(1)</sup> | 0   | 20   | mV/μs |

- (1) For small coin-cell batteries, with high worst-case end-of-life equivalent source resistance, a 22-μF V<sub>DD5</sub> input capacitor must be used to ensure compliance with this slew rate.

### 8.4 Power Supply and Modules

over operating free-air temperature range (unless otherwise noted)

| PARAMETER   |                   | TYP        | UNIT |
|---|-------------------|------------|------|
| V <sub>DD5</sub> Power-on-Reset (POR) threshold                               |                   | 1.1 - 1.55 | V    |
| V <sub>DD5</sub> Brown-out Detector (BOD)                                     | Rising threshold  | 1.77       | V    |
| V <sub>DD5</sub> Brown-out Detector (BOD), before initial boot <sup>(1)</sup> | Rising threshold  | 1.70       | V    |
| V <sub>DD5</sub> Brown-out Detector (BOD)                                     | Falling threshold | 1.75       | V    |

- (1) Brown-out Detector is trimmed at initial boot, value is kept until device is reset by a POR reset or the RESET\_N pin

## 8.5 Power Consumption - Power Modes

When measured on the CC26x2REM-71D-Q1 reference design with  $T_c = 25\text{ }^\circ\text{C}$ ,  $V_{DD5} = 3.0\text{ V}$  with DC/DC enabled unless otherwise noted.

| PARAMETER                                   |  | TEST CONDITIONS   | TYP           | UNIT          |
|---|--|---|---------------|---------------|
| <b>Core Current Consumption</b>             |  |   |               |               |
| $I_{core}$                                  | Reset and Shutdown                       | Reset. RESET_N pin asserted or VDDS below power-on-reset threshold    | 150           | nA            |
|   |  | Shutdown. No clocks running, no retention                             | 150           |               |
|   | Standby without cache retention          | RTC running, CPU, 80KB RAM and (partial) register retention. RCOSC_LF | 0.94          | $\mu\text{A}$ |
|   |  | RTC running, CPU, 80KB RAM and (partial) register retention. XOSC_LF  | 1.09          | $\mu\text{A}$ |
|   | Standby with cache retention             | RTC running, CPU, 80KB RAM and (partial) register retention. RCOSC_LF | 3.2           | $\mu\text{A}$ |
|   |  | RTC running, CPU, 80KB RAM and (partial) register retention. XOSC_LF  | 3.3           | $\mu\text{A}$ |
| Idle  | Supply Systems and RAM powered. RCOSC_HF | 675   | $\mu\text{A}$ |               |
| Active                                      | MCU running CoreMark at 48 MHz. RCOSC_HF | 3.39  | mA            |               |
| <b>Peripheral Current Consumption</b>       |  |   |               |               |
| $I_{peri}$                                  | Peripheral power domain                  | Delta current with domain enabled                                     | 97.7          | $\mu\text{A}$ |
|   | Serial power domain                      | Delta current with domain enabled                                     | 7.2           |               |
|   | RF Core                                  | Delta current with power domain enabled, clock enabled, RF Core idle  | 210.9         |               |
|   | $\mu\text{DMA}$                          | Delta current with clock enabled, module is idle                      | 63.9          |               |
|   | Timers                                   | Delta current with clock enabled, module is idle <sup>(3)</sup>       | 81.0          |               |
|   | I2C                                      | Delta current with clock enabled, module is idle                      | 10.8          |               |
|   | I2S                                      | Delta current with clock enabled, module is idle                      | 27.6          |               |
|   | SSI                                      | Delta current with clock enabled, module is idle                      | 82.9          |               |
|   | UART                                     | Delta current with clock enabled, module is idle <sup>(1)</sup>       | 167.5         |               |
|   | CRYPTO (AES)                             | Delta current with clock enabled, module is idle <sup>(2)</sup>       | 25.6          |               |
|   | PKA                                      | Delta current with clock enabled, module is idle                      | 84.7          |               |
|   | TRNG                                     | Delta current with clock enabled, module is idle                      | 35.6          |               |
| <b>Sensor Controller Engine Consumption</b> |  |   |               |               |
| $I_{SCE}$                                   | Active mode                              | 24 MHz, infinite loop   | 808.5         | $\mu\text{A}$ |
|   | Low-power mode                           | 2 MHz, infinite loop  | 31.9          |               |

- (1) Only one UART running  
(2) Only one SSI running  
(3) Only one GPTimer running

## 8.6 Power Consumption - Radio Modes

When measured on the CC26x2REM-71D-Q1 reference design with  $T_c = 25\text{ }^\circ\text{C}$ ,  $V_{DD5} = 3.0\text{ V}$  with DC/DC enabled unless otherwise noted.

| PARAMETER |                        | TEST CONDITIONS                         | TYP | UNIT |
|-----------|------------------------|---|-----|------|
|           | Radio receive current  | 2440 MHz                                | 6.9 | mA   |
|           | Radio transmit current | 0 dBm output power setting<br>2440 MHz  | 7.3 | mA   |
|           |                        | +5 dBm output power setting<br>2440 MHz | 9.6 | mA   |

## 8.7 Nonvolatile (Flash) Memory Characteristics

Over operating free-air temperature range and  $V_{DD5} = 3.0\text{ V}$  (unless otherwise noted)

| PARAMETER   | TEST CONDITIONS                          | MIN  | TYP  | MAX  | UNIT             |
|---|--|------|------|------|------------------|
| Flash sector size   |  |      | 8    |      | KB               |
| Supported flash erase cycles before failure, full bank <sup>(1)</sup>         |  | 30   |      |      | k Cycles         |
| Supported flash erase cycles before failure, single sector <sup>(2)</sup>     |  | 60   |      |      | k Cycles         |
| Maximum number of write operations per row before sector erase <sup>(3)</sup> |  |      |      | 83   | Write Operations |
| Flash retention   | 105 °C                                   | 11.4 |      |      | Years at 105 °C  |
| Flash sector erase current  | Average delta current                    |      | 10.7 |      | mA               |
| Flash sector erase time <sup>(4)</sup>  | Zero cycles                              |      | 10   |      | ms               |
| Flash sector erase time <sup>(4)</sup>  | 30k cycles                               |      |      | 4000 | ms               |
| Flash write current   | Average delta current, 4 bytes at a time |      | 6.2  |      | mA               |
| Flash write time  | 4 bytes at a time                        |      | 21.6 |      | µs               |

- (1) A full bank erase is counted as a single erase cycle on each sector
- (2) Up to 4 customer-designated sectors can be individually erased an additional 30k times beyond the baseline bank limitation of 30k cycles
- (3) Each wordline is 2048 bits (or 256 bytes) wide. This limitation corresponds to sequential memory writes of 4 (3.1) bytes minimum per write over a whole wordline. If additional writes to the same wordline are required, a sector erase is required once the maximum number of write operations per row is reached.
- (4) This number is dependent on Flash aging and increases over time and erase cycles

## 8.8 Thermal Resistance Characteristics

| THERMAL METRIC <sup>(1)</sup> |  | PACKAGE    | UNIT                |
|-------------------------------|--|------------|---------------------|
|                               |  | RGZ (VQFN) |                     |
|                               |  | 48 PINS    |                     |
| $R_{\theta JA}$               | Junction-to-ambient thermal resistance       | 24.2       | °C/W <sup>(2)</sup> |
| $R_{\theta JC(top)}$          | Junction-to-case (top) thermal resistance    | 13.6       | °C/W <sup>(2)</sup> |
| $R_{\theta JB}$               | Junction-to-board thermal resistance         | 7.8        | °C/W <sup>(2)</sup> |
| $\psi_{JT}$                   | Junction-to-top characterization parameter   | 0.1        | °C/W <sup>(2)</sup> |
| $\psi_{JB}$                   | Junction-to-board characterization parameter | 7.7        | °C/W <sup>(2)</sup> |
| $R_{\theta JC(bot)}$          | Junction-to-case (bottom) thermal resistance | 1.7        | °C/W <sup>(2)</sup> |

- (1) For more information about traditional and new thermal metrics, see [Semiconductor and IC Package Thermal Metrics](#).
- (2) °C/W = degrees Celsius per watt.

## 8.9 Receive (RX)

When measured on the CC26x2REM-71D-Q1 reference design with  $T_c = 25\text{ }^\circ\text{C}$ ,  $V_{DD5} = 3.0\text{ V}$ ,  $f_{RF} = 2440\text{ MHz}$  with DC/DC enabled unless otherwise noted. All measurements are performed at the antenna input with a combined RX and TX path. All measurements are performed conducted.

| PARAMETER  | TEST CONDITIONS   | MIN | TYP                    | MAX | UNIT |
|--|---|-----|------------------------|-----|------|
| <b>2 Mbps</b>  |   |     |                        |     |      |
| Receiver sensitivity   | Differential mode. Measured at SMA connector, BER = $10^{-3}$   |     | -92                    |     | dBm  |
| Receiver saturation  | Differential mode. Measured at SMA connector, BER = $10^{-3}$   |     | > 5                    |     | dBm  |
| Frequency error tolerance                                      | Difference between the incoming carrier frequency and the internally generated carrier frequency  |     | > (-440 / 500)         |     | kHz  |
| Data rate error tolerance                                      | Difference between incoming data rate and the internally generated data rate (37-byte packets)  |     | > (-700 / 750)         |     | ppm  |
| Co-channel rejection <sup>(1)</sup>                            | Wanted signal at -67 dBm, modulated interferer in channel, BER = $10^{-3}$  |     | -7                     |     | dB   |
| Selectivity, $\pm 2\text{ MHz}$ <sup>(1)</sup>                 | Wanted signal at -67 dBm, modulated interferer at $\pm 2\text{ MHz}$ , Image frequency is at -2 MHz, BER = $10^{-3}$  |     | 8 / 4 <sup>(2)</sup>   |     | dB   |
| Selectivity, $\pm 4\text{ MHz}$ <sup>(1)</sup>                 | Wanted signal at -67 dBm, modulated interferer at $\pm 4\text{ MHz}$ , BER = $10^{-3}$  |     | 33 / 31 <sup>(2)</sup> |     | dB   |
| Selectivity, $\pm 6\text{ MHz}$ or more <sup>(1)</sup>         | Wanted signal at -67 dBm, modulated interferer at $\pm 6\text{ MHz}$ or more, BER = $10^{-3}$   |     | 37 / 32 <sup>(2)</sup> |     | dB   |
| Selectivity, image frequency <sup>(1)</sup>                    | Wanted signal at -67 dBm, modulated interferer at image frequency, BER = $10^{-3}$  |     | 4                      |     | dB   |
| Selectivity, image frequency $\pm 2\text{ MHz}$ <sup>(1)</sup> | Note that Image frequency + 2 MHz is the Co-channel. Wanted signal at -67 dBm, modulated interferer at $\pm 2\text{ MHz}$ from image frequency, BER = $10^{-3}$ |     | -7 / 36 <sup>(2)</sup> |     | dB   |
| Out-of-band blocking <sup>(3)</sup>                            | 30 MHz to 2000 MHz  |     | -16                    |     | dBm  |
| Out-of-band blocking   | 2003 MHz to 2399 MHz  |     | -21                    |     | dBm  |
| Out-of-band blocking   | 2484 MHz to 2997 MHz  |     | -15                    |     | dBm  |
| Out-of-band blocking   | 3000 MHz to 12.75 GHz   |     | -12                    |     | dBm  |
| Intermodulation  | Wanted signal at 2402 MHz, -64 dBm. Two interferers at 2405 and 2408 MHz respectively, at the given power level   |     | -38                    |     | dBm  |
| RSSI dynamic range   |   |     | 63                     |     | dB   |
| RSSI Accuracy (+/-)  |   |     | $\pm 4$                |     | dB   |

(1) Numbers given as I/C dB

(2) X / Y, where X is +N MHz and Y is -N MHz

(3) Excluding one exception at  $F_{\text{wanted}} / 2$

## 8.10 Transmit (TX)

All measurements are performed conducted.

| PARAMETER                               |  | TEST CONDITIONS | MIN | TYP   | MAX | UNIT |
|---|--|-----------------|-----|-------|-----|------|
| <b>General Parameters</b>               |  |                 |     |       |     |      |
| 5dBm output power                       | Differential mode, delivered to a single-ended 50 Ω load through a balun |                 |     | 5     |     | dBm  |
| Output power programmable range         | Differential mode, delivered to a single-ended 50 Ω load through a balun |                 |     | 26    |     | dB   |
| <b>Spurious emissions and harmonics</b> |  |                 |     |       |     |      |
| Spurious emissions <sup>(1)</sup>       | f < 1 GHz, outside restricted bands                                      | +5 dBm setting  |     | < -36 |     | dBm  |
|   | f < 1 GHz, restricted bands ETSI   | +5 dBm setting  |     | < -54 |     | dBm  |
|   | f < 1 GHz, restricted bands FCC  | +5 dBm setting  |     | < -55 |     | dBm  |
|   | f > 1 GHz, including harmonics   | +5 dBm setting  |     | < -42 |     | dBm  |
| Harmonics <sup>(1)</sup>                | Second harmonic  | +5 dBm setting  |     | < -42 |     | dBm  |
|   | Third harmonic   | +5 dBm setting  |     | < -42 |     | dBm  |

(1) Suitable for systems targeting compliance with worldwide radio-frequency regulations ETSI EN 300 328 and EN 300 440 Category 2 (Europe), FCC CFR47 Part 15 (US), and ARIB STD-T66 (Japan).

## 8.11 Timing and Switching Characteristics

### 8.11.1 Reset Timing

| PARAMETER            | MIN | TYP | MAX | UNIT |
|----------------------|-----|-----|-----|------|
| RESET_N low duration | 1   |     |     | μs   |

### 8.11.2 Wakeup Timing

Measured over operating free-air temperature with  $V_{DD5} = 3.0\text{ V}$  (unless otherwise noted). The times listed here do not include software overhead.

| PARAMETER                              | TEST CONDITIONS | MIN        | TYP | MAX | UNIT |
|--|-----------------|------------|-----|-----|------|
| MCU, Reset to Active <sup>(1)</sup>    |                 | 850 - 3000 |     |     | μs   |
| MCU, Shutdown to Active <sup>(1)</sup> |                 | 850 - 3000 |     |     | μs   |
| MCU, Standby to Active                 |                 |            | 160 |     | μs   |
| MCU, Active to Standby                 |                 |            | 36  |     | μs   |
| MCU, Idle to Active                    |                 |            | 14  |     | μs   |

(1) The wakeup time is dependent on remaining charge on the VDDR capacitor when starting the device, and thus how long the device has been in Reset or Shutdown before starting up again.

### 8.11.3 Clock Specifications

#### 8.11.3.1 48 MHz Crystal Oscillator (XOSC\_HF)

Measured on the CC26x2REM-7ID-Q1 reference design with  $T_c = 25\text{ }^\circ\text{C}$ ,  $V_{DD5} = 3.0\text{ V}$ , unless otherwise noted.<sup>(1)</sup>

|       | PARAMETER   | MIN | TYP                             | MAX | UNIT          |
|-------|---|-----|---------------------------------|-----|---------------|
|       | Crystal frequency   |     | 48                              |     | MHz           |
| ESR   | Equivalent series resistance<br>$6\text{ pF} < C_L \leq 9\text{ pF}$  |     | 20                              | 60  | $\Omega$      |
| ESR   | Equivalent series resistance<br>$5\text{ pF} < C_L \leq 6\text{ pF}$  |     |                                 | 80  | $\Omega$      |
| $L_M$ | Motional inductance, relates to the load capacitance that is used for the crystal ( $C_L$ in Farads) <sup>(5)</sup> |     | $< 0.3 \times 10^{-24} / C_L^2$ |     | H             |
| $C_L$ | Crystal load capacitance <sup>(4)</sup>   | 5   | 7 <sup>(3)</sup>                | 9   | pF            |
|       | Start-up time <sup>(2)</sup>  |     | 200                             |     | $\mu\text{s}$ |

- (1) Probing or otherwise stopping the crystal while the DC/DC converter is enabled may cause permanent damage to the device.
- (2) Start-up time using the TI-provided power driver. Start-up time may increase if driver is not used.
- (3) On-chip default connected capacitance including reference design parasitic capacitance. Connected internal capacitance is changed through software in the Customer Configuration section (CCFG).
- (4) Adjustable load capacitance is integrated within the device.
- (5) The crystal manufacturer's specification must satisfy this requirement for proper operation.

#### 8.11.3.2 48 MHz RC Oscillator (RCOSC\_HF)

Measured on the CC26x2REM-7ID-Q1 reference design with  $T_c = 25\text{ }^\circ\text{C}$ ,  $V_{DD5} = 3.0\text{ V}$ , unless otherwise noted.

|  | MIN | TYP        | MAX | UNIT          |
|--|-----|------------|-----|---------------|
| Frequency                                    |     | 48         |     | MHz           |
| Uncalibrated frequency accuracy              |     | $\pm 1$    |     | %             |
| Calibrated frequency accuracy <sup>(1)</sup> |     | $\pm 0.25$ |     | %             |
| Start-up time                                |     | 5          |     | $\mu\text{s}$ |

- (1) Accuracy relative to the calibration source (XOSC\_HF)

#### 8.11.3.3 2 MHz RC Oscillator (RCOSC\_MF)

Measured on the CC26x2REM-7ID-Q1 reference design with  $T_c = 25\text{ }^\circ\text{C}$ ,  $V_{DD5} = 3.0\text{ V}$ , unless otherwise noted.

|                      | MIN | TYP | MAX | UNIT          |
|----------------------|-----|-----|-----|---------------|
| Calibrated frequency |     | 2   |     | MHz           |
| Start-up time        |     | 5   |     | $\mu\text{s}$ |

#### 8.11.3.4 32.768 kHz Crystal Oscillator (XOSC\_LF)

Measured on the CC26x2REM-7ID-Q1 reference design with  $T_c = 25\text{ }^\circ\text{C}$ ,  $V_{DD5} = 3.0\text{ V}$ , unless otherwise noted.

|       | MIN | TYP              | MAX | UNIT       |
|-------|-----|------------------|-----|------------|
|       |     | 32.768           |     | kHz        |
| ESR   |     | 30               | 100 | k $\Omega$ |
| $C_L$ | 6   | 7 <sup>(1)</sup> | 12  | pF         |

- (1) Default load capacitance using TI reference designs including parasitic capacitance. Crystals with different load capacitance may be used.

### 8.11.3.5 32 kHz RC Oscillator (RCOSC\_LF)

Measured on the CC26x2REM-7ID-Q1 reference design with  $T_c = 25\text{ }^\circ\text{C}$ ,  $V_{DD5} = 3.0\text{ V}$ , unless otherwise noted.

|                         | MIN | TYP                                | MAX | UNIT  |
|-------------------------|-----|------------------------------------|-----|-------|
| Calibrated frequency    |     | 32.8 <sup>(1)</sup> <sup>(2)</sup> |     | kHz   |
| Temperature coefficient |     | ±50                                |     | ppm/C |

- (1) When using RCOSC\_LF as source for the low frequency system clock (SCLK\_LF), the accuracy of the SCLK\_LF-derived Real Time Clock (RTC) can be improved by measuring RCOSC\_LF relative to XOSC\_HF and compensating for the RTC tick speed. This functionality is available through the TI-provided Power driver.
- (2) The SIMPLELINK-WBMS-SDK does not use RCOSC\_LF, but XOSC\_LF.

### 8.11.4 Synchronous Serial Interface (SSI) Characteristics

#### 8.11.4.1 Synchronous Serial Interface (SSI) Characteristics

Over operating free-air temperature range (unless otherwise noted)

| PARAMETER NO.     | PARAMETER       |                   | MIN | TYP | MAX   | UNIT                         |
|-------------------|-----------------|-------------------|-----|-----|-------|------------------------------|
| S1                | $t_{clk\_per}$  | SSIClk cycle time | 12  |     | 65024 | System Clocks <sup>(2)</sup> |
| S2 <sup>(1)</sup> | $t_{clk\_high}$ | SSIClk high time  |     | 0.5 |       | $t_{clk\_per}$               |
| S3 <sup>(1)</sup> | $t_{clk\_low}$  | SSIClk low time   |     | 0.5 |       | $t_{clk\_per}$               |

- (1) Refer to SSI timing diagrams Figure 8-1, Figure 8-2, and Figure 8-3.
- (2) When using the TI-provided Power driver, the SSI system clock is always 48 MHz.

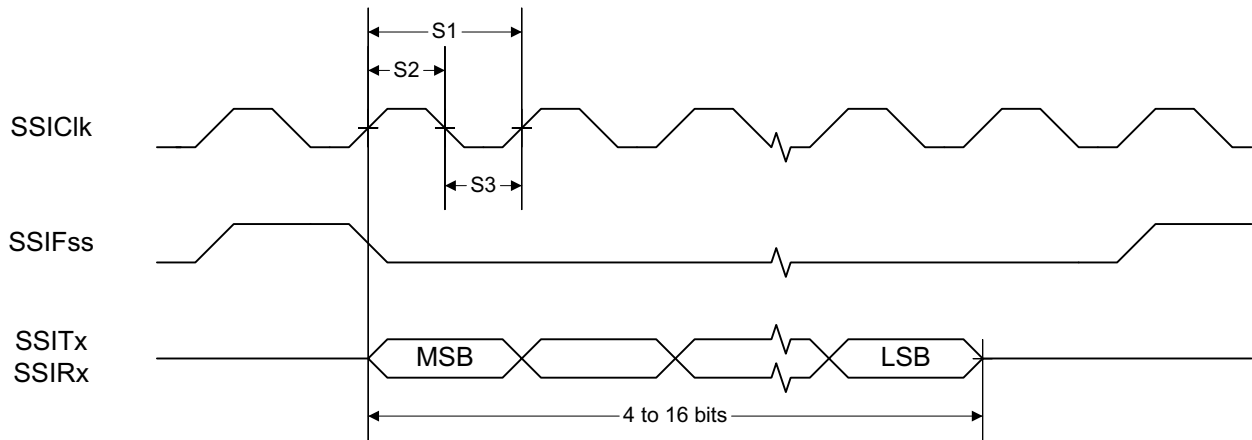


Figure 8-1. SSI Timing for TI Frame Format (FRF = 01), Single Transfer Timing Measurement

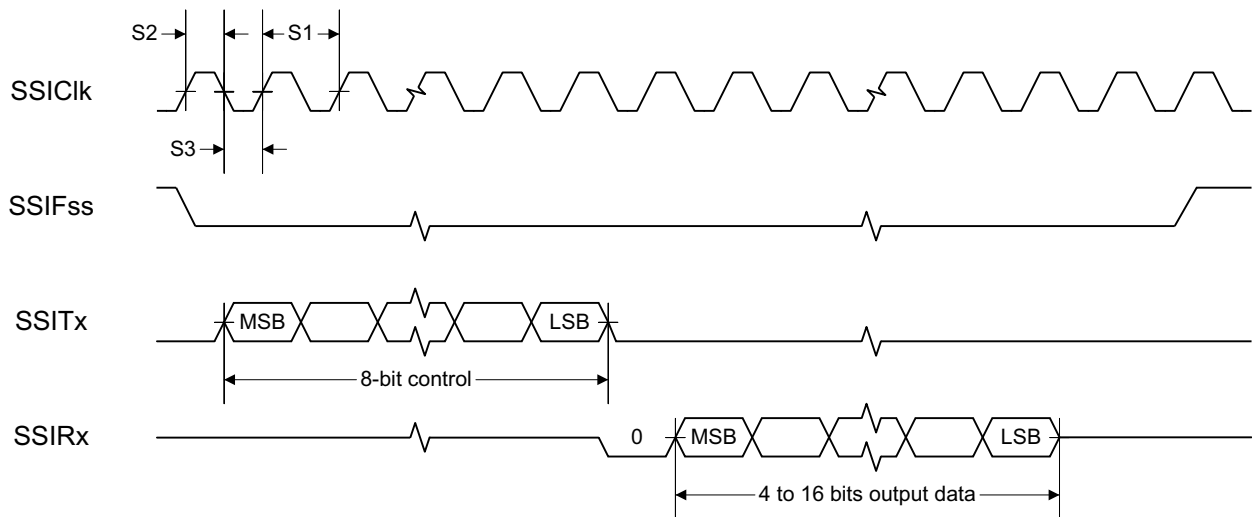


Figure 8-2. SSI Timing for MICROWIRE Frame Format (FRF = 10), Single Transfer



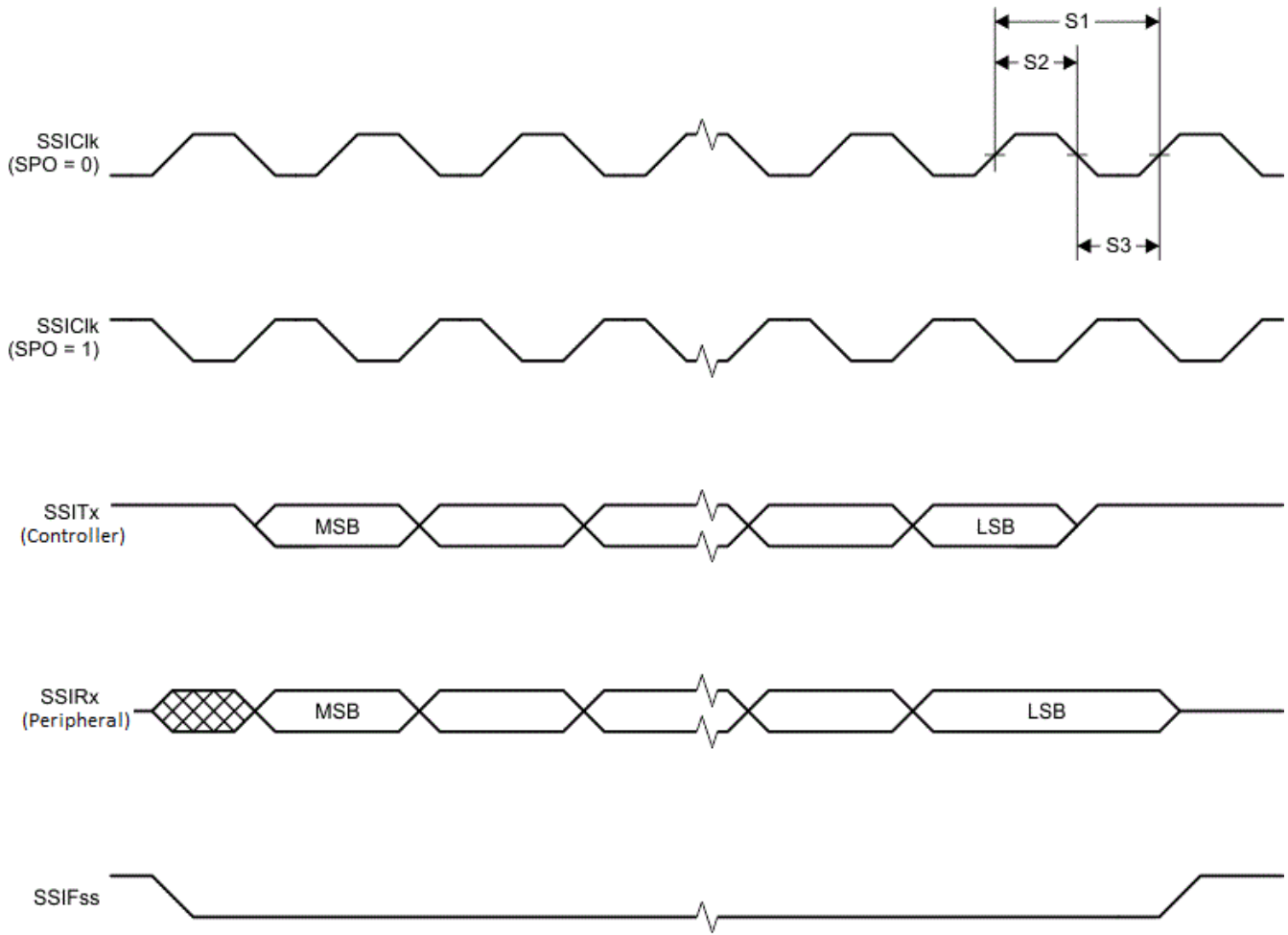


Figure 8-3. SSI Timing for SPI Frame Format (FRF = 00), With SPH = 1

## 8.11.5 UART

### 8.11.5.1 UART Characteristics

Over operating free-air temperature range (unless otherwise noted)

| PARAMETER | MIN | TYP | MAX | UNIT  |
|-----------|-----|-----|-----|-------|
| UART rate |     |     | 3   | MBaud |

## 8.12 Peripheral Characteristics

### 8.12.1 ADC

#### Analog-to-Digital Converter (ADC) Characteristics

$T_C = 25\text{ }^\circ\text{C}$ ,  $V_{DD5} = 3.0\text{ V}$  and voltage scaling enabled, unless otherwise noted.<sup>(1)</sup>

Performance numbers require use of offset and gain adjustments in software by TI-provided ADC drivers.

| PARAMETER   |                                      | TEST CONDITIONS   | MIN | TYP                               | MAX              | UNIT         |
|-------------|--------------------------------------|---|-----|-----------------------------------|------------------|--------------|
|             | Input voltage range                  |   | 0   |                                   | V <sub>DD5</sub> | V            |
|             | Resolution                           |   |     | 12                                |                  | Bits         |
|             | Sample rate                          |   |     |                                   | 200              | kSamples/s   |
|             | Offset                               | Internal 4.3 V equivalent reference <sup>(2)</sup>  |     | -0.24                             |                  | LSB          |
|             | Gain error                           | Internal 4.3 V equivalent reference <sup>(2)</sup>  |     | 7.14                              |                  | LSB          |
|             | DNL <sup>(4)</sup>                   | Differential nonlinearity   |     | >-1                               |                  | LSB          |
|             | INL                                  | Integral nonlinearity   |     | ±4                                |                  | LSB          |
| ENOB        | Effective number of bits             | Internal 4.3 V equivalent reference <sup>(2)</sup> , 200 kSamples/s, 9.6 kHz input tone   |     | 9.8                               |                  | Bits         |
|             |                                      | Internal 4.3 V equivalent reference <sup>(2)</sup> , 200 kSamples/s, 9.6 kHz input tone, DC/DC enabled  |     | 9.8                               |                  |              |
|             |                                      | V <sub>DD5</sub> as reference, 200 kSamples/s, 9.6 kHz input tone   |     | 10.1                              |                  |              |
|             |                                      | Internal reference, voltage scaling disabled, 32 samples average, 200 kSamples/s, 300 Hz input tone   |     | 11.1                              |                  |              |
|             |                                      | Internal reference, voltage scaling disabled, 14-bit mode, 200 kSamples/s, 600 Hz input tone <sup>(5)</sup>   |     | 11.3                              |                  |              |
|             |                                      | Internal reference, voltage scaling disabled, 15-bit mode, 200 kSamples/s, 150 Hz input tone <sup>(5)</sup>   |     | 11.6                              |                  |              |
| THD         | Total harmonic distortion            | Internal 4.3 V equivalent reference <sup>(2)</sup> , 200 kSamples/s, 9.6 kHz input tone   |     | -65                               |                  | dB           |
|             |                                      | V <sub>DD5</sub> as reference, 200 kSamples/s, 9.6 kHz input tone   |     | -70                               |                  |              |
|             |                                      | Internal reference, voltage scaling disabled, 32 samples average, 200 kSamples/s, 300 Hz input tone   |     | -72                               |                  |              |
| SINAD, SNDR | Signal-to-noise and distortion ratio | Internal 4.3 V equivalent reference <sup>(2)</sup> , 200 kSamples/s, 9.6 kHz input tone   |     | 60                                |                  | dB           |
|             |                                      | V <sub>DD5</sub> as reference, 200 kSamples/s, 9.6 kHz input tone   |     | 63                                |                  |              |
|             |                                      | Internal reference, voltage scaling disabled, 32 samples average, 200 kSamples/s, 300 Hz input tone   |     | 68                                |                  |              |
| SFDR        | Spurious-free dynamic range          | Internal 4.3 V equivalent reference <sup>(2)</sup> , 200 kSamples/s, 9.6 kHz input tone   |     | 70                                |                  | dB           |
|             |                                      | V <sub>DD5</sub> as reference, 200 kSamples/s, 9.6 kHz input tone   |     | 73                                |                  |              |
|             |                                      | Internal reference, voltage scaling disabled, 32 samples average, 200 kSamples/s, 300 Hz input tone   |     | 75                                |                  |              |
|             | Conversion time                      | Serial conversion, time-to-output, 24 MHz clock   |     | 50                                |                  | clock-cycles |
|             | Current consumption                  | Internal 4.3 V equivalent reference <sup>(2)</sup>  |     | 0.42                              |                  | mA           |
|             | Current consumption                  | V <sub>DD5</sub> as reference   |     | 0.6                               |                  | mA           |
|             | Reference voltage                    | Equivalent fixed internal reference (input voltage scaling enabled). For best accuracy, the ADC conversion should be initiated through the TI-RTOS API in order to include the gain/offset compensation factors stored in FCFG1   |     | 4.3 <sup>(2)</sup> <sup>(3)</sup> |                  | V            |
|             | Reference voltage                    | Fixed internal reference (input voltage scaling disabled). For best accuracy, the ADC conversion should be initiated through the TI-RTOS API in order to include the gain/offset compensation factors stored in FCFG1. This value is derived from the scaled value (4.3 V) as follows:<br>$V_{ref} = 4.3\text{ V} \times 1408 / 4095$ |     | 1.48                              |                  | V            |
|             | Reference voltage                    | V <sub>DD5</sub> as reference, input voltage scaling enabled  |     | V <sub>DD5</sub>                  |                  | V            |
|             | Reference voltage                    | V <sub>DD5</sub> as reference, input voltage scaling disabled   |     | $V_{DD5} / 2.82$ <sup>(3)</sup>   |                  | V            |
|             | Input impedance                      | 200 kSamples/s, voltage scaling enabled. Capacitive input, Input impedance depends on sampling frequency and sampling time  |     | >1                                |                  | MΩ           |

(1) Using IEEE Std 1241-2010 for terminology and test methods

- (2) Input signal scaled down internally before conversion, as if voltage range was 0 to 4.3 V
- (3) Applied voltage must be within Absolute Maximum Ratings (see Section 8.1 ) at all times
- (4) No missing codes
- (5)  $ADC\_output = \sum(4^n \text{ samples}) \gg n, n = \text{desired extra bits}$

## 8.12.2 DAC

### 8.12.2.1 Digital-to-Analog Converter (DAC) Characteristics

 $T_c = 25\text{ }^\circ\text{C}$ ,  $V_{DD5} = 3.0\text{ V}$ , unless otherwise noted.

| PARAMETER   | TEST CONDITIONS              | MIN   | TYP | MAX        | UNIT |                    |
|---|------------------------------|---|-----|------------|------|--------------------|
| <b>General Parameters</b>   |                              |   |     |            |      |                    |
|   | Resolution                   |   | 8   |            | Bits |                    |
| $V_{DD5}$   | Supply voltage               | Any load, any $V_{REF}$ , pre-charge OFF, DAC charge-pump ON  |     | 1.8        | 3.63 | V                  |
|   |                              | Any load, $V_{REF} = \text{DCOUP}$ , pre-charge ON  |     | 2.6        | 3.63 |                    |
| $F_{DAC}$   | Clock frequency              | Buffer OFF (internal load)  |     | 16         | 1000 | kHz                |
|   | Voltage output settling time | $V_{REF} = V_{DD5}$ , buffer OFF, internal load   |     | 13         |      | 1 / $F_{DAC}$      |
| <b>Internal Load - Continuous Time Comparator / Low Power Clocked Comparator</b>              |                              |   |     |            |      |                    |
| DNL   | Differential nonlinearity    | $V_{REF} = V_{DD5}$ ,<br>load = Continuous Time Comparator or Low Power Clocked<br>Comparator<br>$F_{DAC} = 250\text{ kHz}$ |     | $\pm 1$    |      | LSB <sup>(1)</sup> |
|   | Differential nonlinearity    | $V_{REF} = V_{DD5}$ ,<br>load = Continuous Time Comparator or Low Power Clocked<br>Comparator<br>$F_{DAC} = 16\text{ kHz}$  |     | $\pm 1.2$  |      |                    |
| Offset error <sup>(2)</sup><br>Load = Continuous Time<br>Comparator                           |                              | $V_{REF} = V_{DD5} = 3.63\text{ V}$   |     | $\pm 0.67$ |      | LSB <sup>(1)</sup> |
|   |                              | $V_{REF} = V_{DD5} = 3.0\text{ V}$  |     | $\pm 0.81$ |      |                    |
|   |                              | $V_{REF} = V_{DD5} = 1.8\text{ V}$  |     | $\pm 1.27$ |      |                    |
|   |                              | $V_{REF} = \text{DCOUP}$ , pre-charge ON  |     | $\pm 3.43$ |      |                    |
|   |                              | $V_{REF} = \text{DCOUP}$ , pre-charge OFF   |     | $\pm 2.88$ |      |                    |
| Offset error <sup>(2)</sup><br>Load = Low Power Clocked<br>Comparator                         |                              | $V_{REF} = V_{DD5} = 3.63\text{ V}$   |     | $\pm 0.77$ |      | LSB <sup>(1)</sup> |
|   |                              | $V_{REF} = V_{DD5} = 3.0\text{ V}$  |     | $\pm 0.77$ |      |                    |
|   |                              | $V_{REF} = V_{DD5} = 1.8\text{ V}$  |     | $\pm 3.46$ |      |                    |
|   |                              | $V_{REF} = \text{DCOUP}$ , pre-charge ON  |     | $\pm 3.44$ |      |                    |
|   |                              | $V_{REF} = \text{DCOUP}$ , pre-charge OFF   |     | $\pm 4.70$ |      |                    |
| Max code output voltage<br>variation <sup>(2)</sup><br>Load = Continuous Time<br>Comparator   |                              | $V_{REF} = V_{DD5} = 3.63\text{ V}$   |     | $\pm 1.61$ |      | LSB <sup>(1)</sup> |
|   |                              | $V_{REF} = V_{DD5} = 3.0\text{ V}$  |     | $\pm 1.71$ |      |                    |
|   |                              | $V_{REF} = V_{DD5} = 1.8\text{ V}$  |     | $\pm 2.10$ |      |                    |
|   |                              | $V_{REF} = \text{DCOUP}$ , pre-charge ON  |     | $\pm 6.00$ |      |                    |
|   |                              | $V_{REF} = \text{DCOUP}$ , pre-charge OFF   |     | $\pm 3.85$ |      |                    |
| Max code output voltage<br>variation <sup>(2)</sup><br>Load = Low Power Clocked<br>Comparator |                              | $V_{REF} = V_{DD5} = 3.63\text{ V}$   |     | $\pm 2.92$ |      | LSB <sup>(1)</sup> |
|   |                              | $V_{REF} = V_{DD5} = 3.0\text{ V}$  |     | $\pm 3.06$ |      |                    |
|   |                              | $V_{REF} = V_{DD5} = 1.8\text{ V}$  |     | $\pm 3.91$ |      |                    |
|   |                              | $V_{REF} = \text{DCOUP}$ , pre-charge ON  |     | $\pm 7.84$ |      |                    |
|   |                              | $V_{REF} = \text{DCOUP}$ , pre-charge OFF   |     | $\pm 4.06$ |      |                    |
| Output voltage range <sup>(2)</sup><br>Load = Continuous Time<br>Comparator                   |                              | $V_{REF} = V_{DD5} = 3.63\text{ V}$ , code 1  |     | 0.03       |      | V                  |
|   |                              | $V_{REF} = V_{DD5} = 3.63\text{ V}$ , code 255  |     | 3.46       |      |                    |
|   |                              | $V_{REF} = V_{DD5} = 3.0\text{ V}$ , code 1   |     | 0.02       |      |                    |
|   |                              | $V_{REF} = V_{DD5} = 3.0\text{ V}$ , code 255   |     | 2.86       |      |                    |
|   |                              | $V_{REF} = V_{DD5} = 1.8\text{ V}$ , code 1   |     | 0.01       |      |                    |
|   |                              | $V_{REF} = V_{DD5} = 1.8\text{ V}$ , code 255   |     | 1.71       |      |                    |
|   |                              | $V_{REF} = \text{DCOUP}$ , pre-charge OFF, code 1   |     | 0.01       |      |                    |
|   |                              | $V_{REF} = \text{DCOUP}$ , pre-charge OFF, code 255   |     | 1.21       |      |                    |
|   |                              | $V_{REF} = \text{DCOUP}$ , pre-charge ON, code 1  |     | 1.27       |      |                    |
|   |                              | $V_{REF} = \text{DCOUP}$ , pre-charge ON, code 255  |     | 2.46       |      |                    |

$T_c = 25\text{ }^\circ\text{C}$ ,  $V_{DD5} = 3.0\text{ V}$ , unless otherwise noted.

| PARAMETER   |  | TEST CONDITIONS                                       | MIN | TYP  | MAX | UNIT |
|---|--|---|-----|------|-----|------|
| Output voltage range <sup>(2)</sup><br>Load = Low Power Clocked<br>Comparator |  | $V_{REF} = V_{DD5} = 3.63\text{ V}$ , code 1          |     | 0.03 |     | V    |
|   |  | $V_{REF} = V_{DD5} = 3.63\text{ V}$ , code 255        |     | 3.46 |     |      |
|   |  | $V_{REF} = V_{DD5} = 3.0\text{ V}$ , code 1           |     | 0.02 |     |      |
|   |  | $V_{REF} = V_{DD5} = 3.0\text{ V}$ , code 255         |     | 2.85 |     |      |
|   |  | $V_{REF} = V_{DD5} = 1.8\text{ V}$ , code 1           |     | 0.01 |     |      |
|   |  | $V_{REF} = V_{DD5} = 1.8\text{ V}$ , code 255         |     | 1.71 |     |      |
|   |  | $V_{REF} = \text{DCOUPPL}$ , pre-charge OFF, code 1   |     | 0.01 |     |      |
|   |  | $V_{REF} = \text{DCOUPPL}$ , pre-charge OFF, code 255 |     | 1.21 |     |      |
|   |  | $V_{REF} = \text{DCOUPPL}$ , pre-charge ON, code 1    |     | 1.27 |     |      |
|   |  | $V_{REF} = \text{DCOUPPL}$ , pre-charge ON, code 255  |     | 2.46 |     |      |

 (1) 1 LSB ( $V_{REF} = 3.63\text{ V}/3.0\text{ V}/1.8\text{ V}/\text{DCOUPPL}/\text{ADCREFL}$ ) = 13.44 mV/11.13 mV/6.68 mV/4.67 mV/5.48 mV

(2) Includes comparator offset

### 8.12.3 Temperature and Battery Monitor

#### 8.12.3.1 Temperature Sensor

Measured on the CC26x2REM-7ID-Q1 reference design with  $T_c = 25\text{ }^\circ\text{C}$ ,  $V_{DD5} = 3.0\text{ V}$ , unless otherwise noted.

| PARAMETER                                 | TEST CONDITIONS                            | MIN | TYP       | MAX | UNIT                      |
|---|--|-----|-----------|-----|---------------------------|
| Resolution                                |  |     | 2         |     | $^\circ\text{C}$          |
| Accuracy                                  | -40 $^\circ\text{C}$ to 0 $^\circ\text{C}$ |     | $\pm 4.0$ |     | $^\circ\text{C}$          |
| Accuracy                                  | 0 $^\circ\text{C}$ to 105 $^\circ\text{C}$ |     | $\pm 2.5$ |     | $^\circ\text{C}$          |
| Supply voltage coefficient <sup>(1)</sup> |  |     | 4.1       |     | $^\circ\text{C}/\text{V}$ |

(1) The temperature sensor is automatically compensated for  $V_{DD5}$  variation when using the TI-provided driver.

#### 8.12.3.2 Battery Monitor

Measured on the CC26x2REM-7ID-Q1 reference design with  $T_c = 25\text{ }^\circ\text{C}$ , unless otherwise noted.

| PARAMETER                   | TEST CONDITIONS          | MIN | TYP  | MAX  | UNIT |
|-----------------------------|--------------------------|-----|------|------|------|
| Resolution                  |                          |     | 25   |      | mV   |
| Range                       |                          | 1.8 |      | 3.63 | V    |
| Integral nonlinearity (max) |                          |     | 28   | 72   | mV   |
| Accuracy                    | $V_{DD5} = 3.0\text{ V}$ |     | 22.5 |      | mV   |
| Offset error                |                          |     | -32  |      | mV   |
| Gain error                  |                          |     | -1.3 |      | %    |

## 8.12.4 Comparators

### 8.12.4.1 Continuous Time Comparator

$T_c = 25^\circ\text{C}$ ,  $V_{\text{DDS}} = 3.0\text{ V}$ , unless otherwise noted.

| PARAMETER                          | TEST CONDITIONS                             | MIN | TYP     | MAX              | UNIT          |
|------------------------------------|---|-----|---------|------------------|---------------|
| Input voltage range <sup>(1)</sup> |   | 0   |         | $V_{\text{DDS}}$ | V             |
| Offset                             | Measured at $V_{\text{DDS}} / 2$            |     | $\pm 5$ |                  | mV            |
| Decision time                      | Step from $-10\text{ mV}$ to $10\text{ mV}$ |     | 0.78    |                  | $\mu\text{s}$ |
| Current consumption                | Internal reference                          |     | 8.6     |                  | $\mu\text{A}$ |

(1) The input voltages can be generated externally and connected throughout I/Os or an internal reference voltage can be generated using the DAC

### 8.12.4.2 Low-Power Clocked Comparator

$T_c = 25^\circ\text{C}$ ,  $V_{\text{DDS}} = 3.0\text{ V}$ , unless otherwise noted.

| PARAMETER                                 | TEST CONDITIONS   | MIN | TYP           | MAX              | UNIT        |
|---|---|-----|---------------|------------------|-------------|
| Input voltage range                       |   | 0   |               | $V_{\text{DDS}}$ | V           |
| Clock frequency                           |   |     | SCLK_LF       |                  |             |
| Internal reference voltage <sup>(1)</sup> | Using internal DAC with $V_{\text{DDS}}$ as reference voltage, DAC code = 0 - 255 |     | 0.024 - 2.865 |                  | V           |
| Offset                                    | Measured at $V_{\text{DDS}} / 2$ , includes error from internal DAC               |     | $\pm 5$       |                  | mV          |
| Decision time                             | Step from $-50\text{ mV}$ to $50\text{ mV}$                                       |     | 1             |                  | Clock Cycle |

(1) The comparator can use an internal 8 bits DAC as its reference. The DAC output voltage range depends on the reference voltage selected. See [DAC Characteristics](#)

## 8.12.5 Current Source

### 8.12.5.1 Programmable Current Source

$T_c = 25^\circ\text{C}$ ,  $V_{\text{DDS}} = 3.0\text{ V}$ , unless otherwise noted.

| PARAMETER  | TEST CONDITIONS | MIN | TYP       | MAX | UNIT          |
|--|-----------------|-----|-----------|-----|---------------|
| Current source programmable output range (logarithmic range) |                 |     | 0.25 - 20 |     | $\mu\text{A}$ |
| Resolution   |                 |     | 0.25      |     | $\mu\text{A}$ |

## 8.12.6 GPIO

### 8.12.6.1 GPIO DC Characteristics

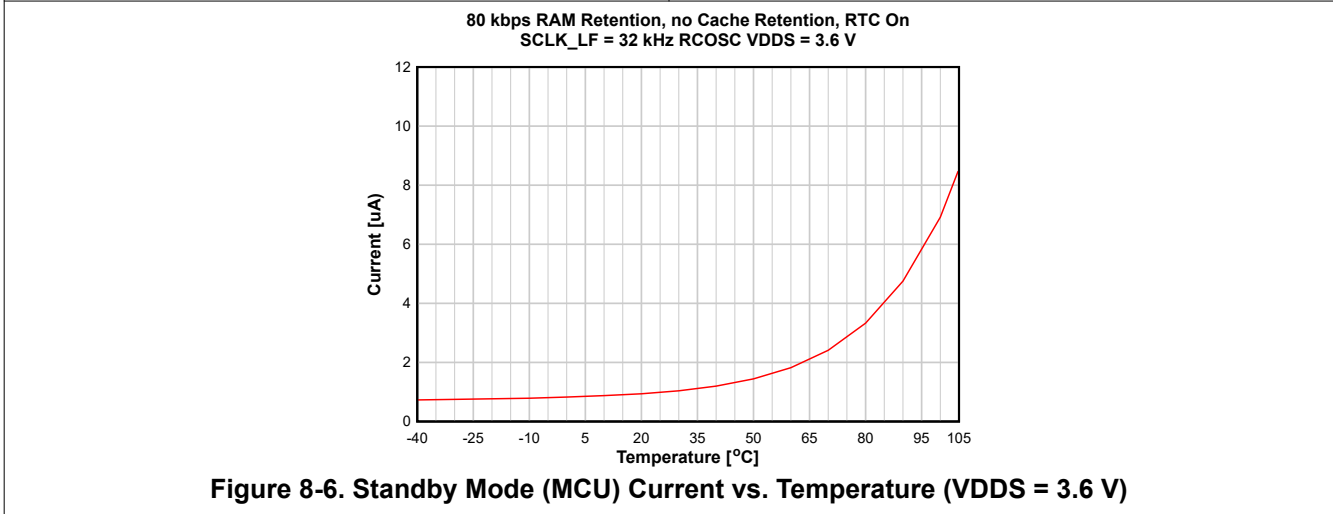
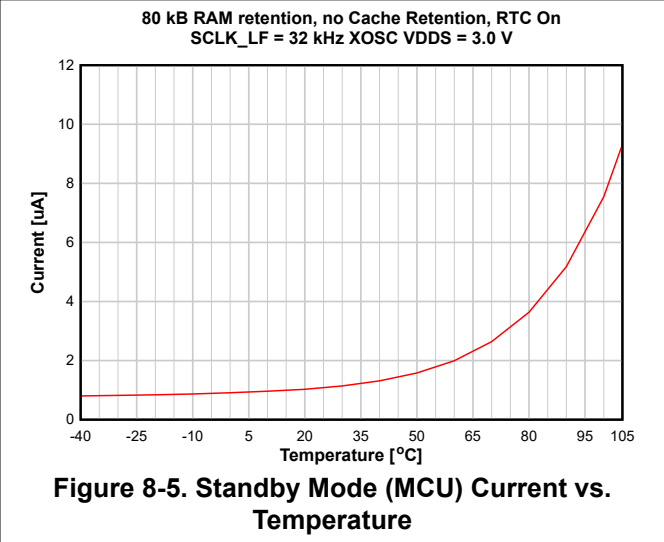
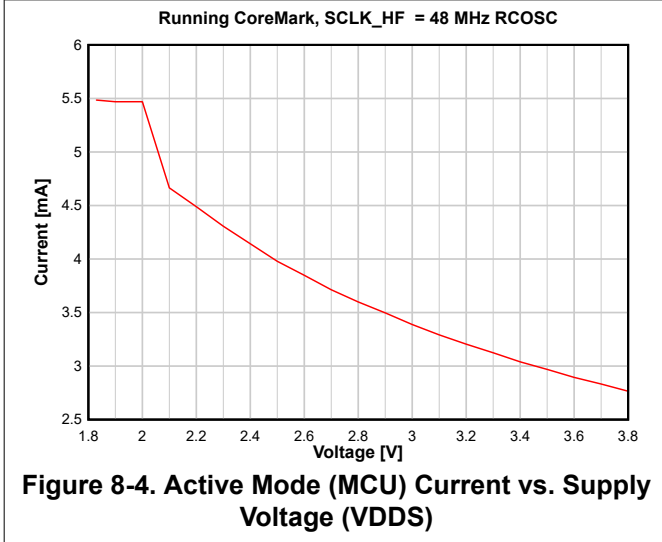
| PARAMETER  | TEST CONDITIONS   | MIN  | TYP  | MAX  | UNIT |
|--|---|------|------|------|------|
| <b>T<sub>A</sub> = 25 °C, V<sub>DDs</sub> = 1.8 V</b>  |   |      |      |      |      |
| GPIO VOH at 8 mA load                                  | IOCURR = 2, high-drive GPIOs only                               | 1.44 |      |      | V    |
| GPIO VOL at 8 mA load                                  | IOCURR = 2, high-drive GPIOs only                               |      |      | 0.36 | V    |
| GPIO VOH at 4 mA load                                  | IOCURR = 1  | 1.44 |      |      | V    |
| GPIO VOL at 4 mA load                                  | IOCURR = 1  |      |      | 0.36 | V    |
| GPIO pullup current                                    | Input mode, pullup enabled, Vpad = 0 V                          | 32   | 68   | 110  | μA   |
| GPIO pulldown current                                  | Input mode, pulldown enabled, Vpad = VDDs                       | 11   | 18.5 | 39   | μA   |
| GPIO low-to-high input transition, with hysteresis     | IH = 1, transition voltage for input read as 0 → 1              | 0.72 | 1.08 | 1.17 | V    |
| GPIO high-to-low input transition, with hysteresis     | IH = 1, transition voltage for input read as 1 → 0              | 0.54 | 0.72 | 0.87 | V    |
| GPIO input hysteresis                                  | IH = 1, difference between 0 → 1 and 1 → 0 points               | 0.18 | 0.36 | 0.51 | V    |
| GPIO minimum VIH                                       | Lowest GPIO input voltage reliably interpreted as <i>High</i>   | 1.17 |      |      | V    |
| GPIO maximum VIL                                       | Highest GPIO Input voltage reliably interpreted as <i>Low</i>   |      |      | 0.63 | V    |
| <b>T<sub>A</sub> = 25 °C, V<sub>DDs</sub> = 3.0 V</b>  |   |      |      |      |      |
| GPIO VOH at 8 mA load                                  | IOCURR = 2, high-drive GPIOs only                               | 2.4  |      |      | V    |
| GPIO VOL at 8 mA load                                  | IOCURR = 2, high-drive GPIOs only                               |      |      | 0.6  | V    |
| GPIO VOH at 4 mA load                                  | IOCURR = 1  | 2.4  |      |      | V    |
| GPIO VOL at 4 mA load                                  | IOCURR = 1  |      |      | 0.6  | V    |
| <b>T<sub>A</sub> = 25 °C, V<sub>DDs</sub> = 3.63 V</b> |   |      |      |      |      |
| GPIO VOH at 8 mA load                                  | IOCURR = 2, high-drive GPIOs only                               | 2.9  |      |      | V    |
| GPIO VOL at 8 mA load                                  | IOCURR = 2, high-drive GPIOs only                               |      |      | 0.6  | V    |
| GPIO VOH at 4 mA load                                  | IOCURR = 1  | 2.9  |      |      | V    |
| GPIO VOL at 4 mA load                                  | IOCURR = 1  |      |      | 0.6  | V    |
| GPIO pullup current                                    | Input mode, pullup enabled, Vpad = 0 V                          | 135  | 264  | 380  | μA   |
| GPIO pulldown current                                  | Input mode, pulldown enabled, Vpad = VDDs                       | 64   | 102  | 178  | μA   |
| GPIO low-to-high input transition, with hysteresis     | IH = 1, transition voltage for input read as 0 → 1              | 1.52 | 1.90 | 2.21 | V    |
| GPIO high-to-low input transition, with hysteresis     | IH = 1, transition voltage for input read as 1 → 0              | 1.14 | 1.48 | 1.83 | V    |
| GPIO input hysteresis                                  | IH = 1, difference between 0 → 1 and 1 → 0 points               | 0.38 | 0.42 | 1.07 | V    |
| GPIO minimum VIH                                       | Lowest GPIO input voltage reliably interpreted as a <i>High</i> | 2.47 |      |      | V    |
| GPIO maximum VIL                                       | Highest GPIO input voltage reliably interpreted as a <i>Low</i> |      |      | 1.33 | V    |



### 8.13 Typical Characteristics

All measurements in this section are done with  $T_c = 25\text{ }^\circ\text{C}$  and  $V_{DD5} = 3.0\text{ V}$ , unless otherwise noted. See [Section 8.3](#) for device limits. Values exceeding these limits are for reference only.

#### 8.13.1 MCU Current



### 8.13.2 RX Current

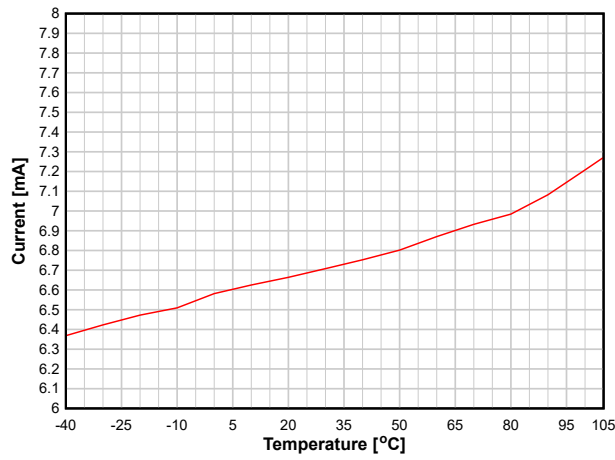


Figure 8-7. RX Current versus Temperature (WBMS, 2.44 GHz)

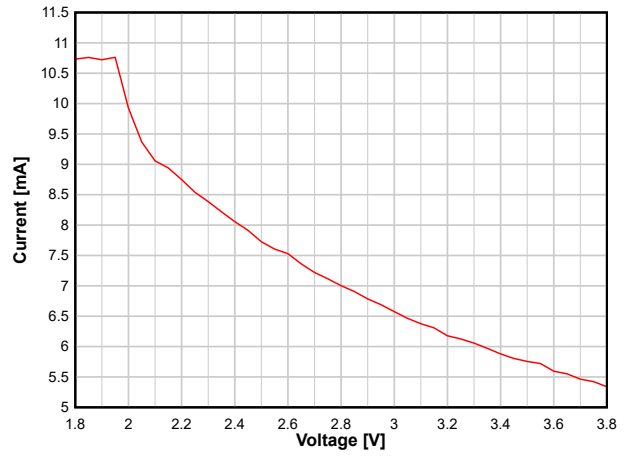
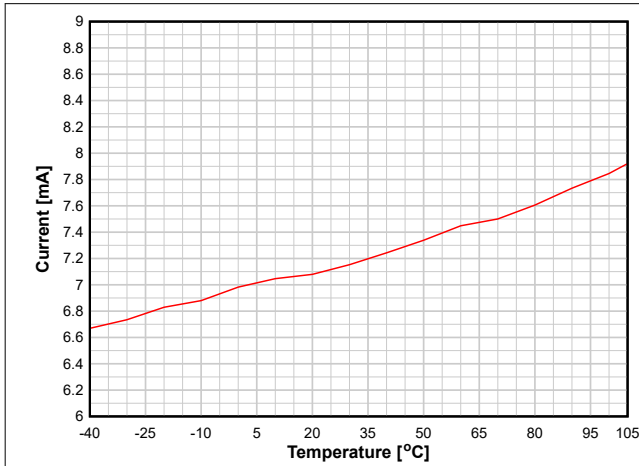
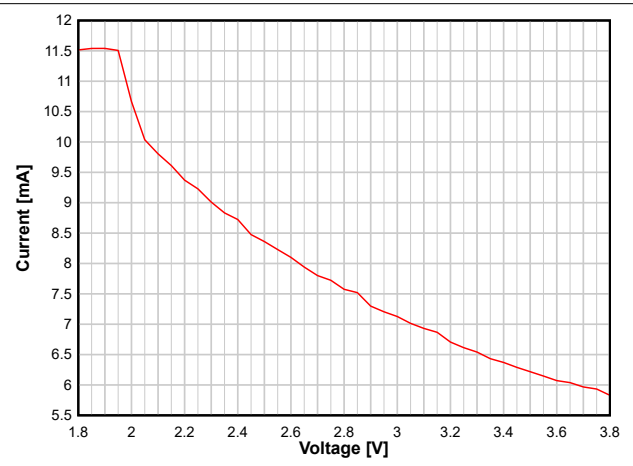


Figure 8-8. RX Current versus Supply Voltage (VDDS) (WBMS, 2.44 GHz)

### 8.13.3 TX Current



**Figure 8-9. TX Current vs. Temperature (WBMS, 2.44 GHz, 0 dBm)**



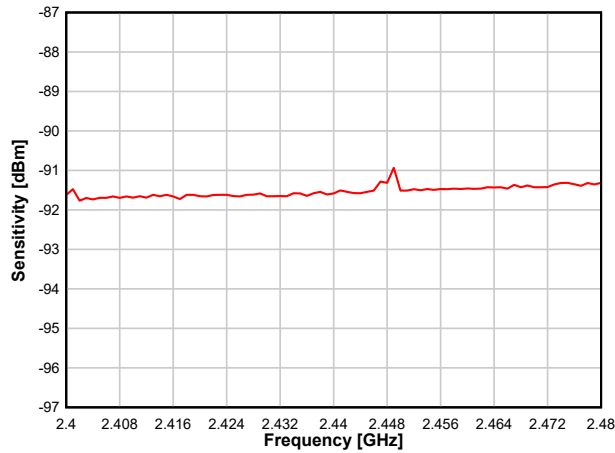
**Figure 8-10. TX Current vs. Supply Voltage (VDDS) (WBMS, 2.44 GHz, 0 dBm)**

Table 8-1 shows typical TX current and output power for different output power settings.

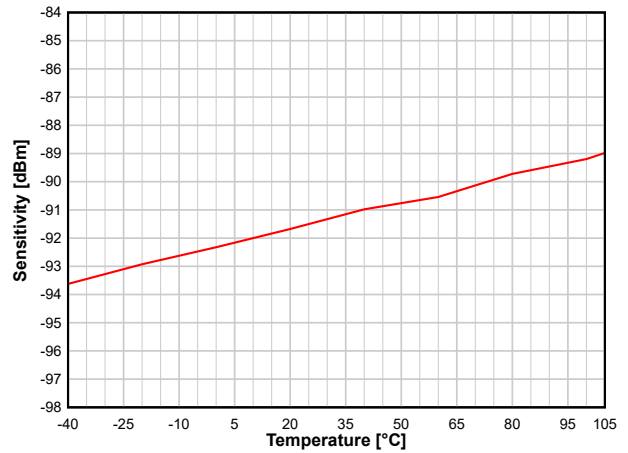
**Table 8-1. Typical TX Current and Output Power**

| CC2662R-Q1 at 2.4 GHz, VDDS = 3.0 V (Measured on CC2652REM-7ID-Q1) |                                   |                            |                                  |
|--|-----------------------------------|----------------------------|----------------------------------|
| txPower  | TX Power Setting (SmartRF Studio) | Typical Output Power [dBm] | Typical Current Consumption [mA] |
| 0x7217   | 5                                 | 5.4                        | 9.4                              |
| 0x4E63   | 4                                 | 4.1                        | 8.5                              |
| 0x385D   | 3                                 | 3.0                        | 8.1                              |
| 0x3259   | 2                                 | 1.9                        | 7.5                              |
| 0x2856   | 1                                 | 1.0                        | 7.1                              |
| 0x2853   | 0                                 | -0.4                       | 6.5                              |
| 0x12D6   | -5                                | -5.4                       | 5.7                              |
| 0x0ACF   | -10                               | -10.4                      | 5.2                              |
| 0x06CA   | -15                               | -15.2                      | 4.8                              |
| 0x04C6   | -20                               | -20.6                      | 4.6                              |

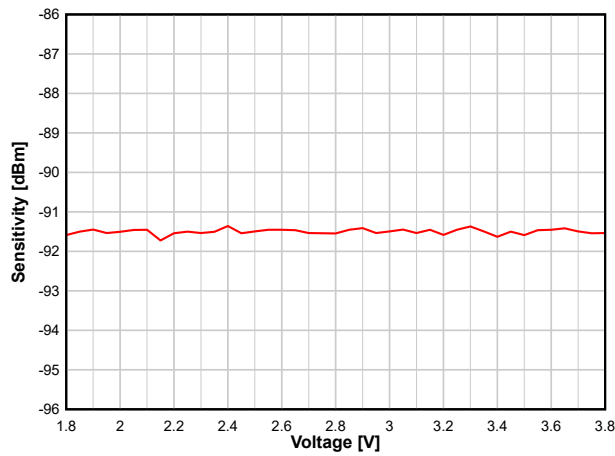
### 8.13.4 RX Performance



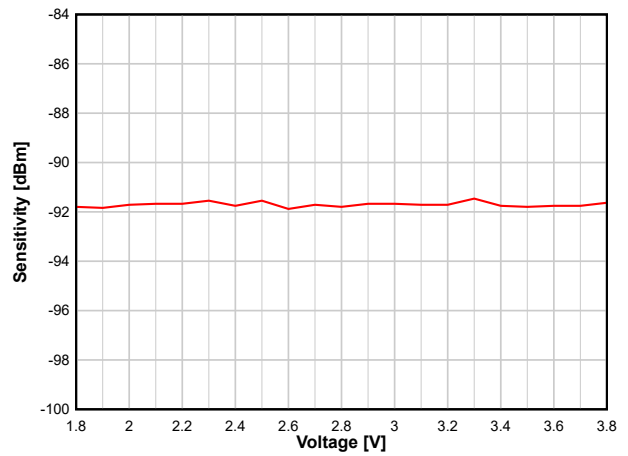
**Figure 8-11. Sensitivity versus Frequency (WBMS, 2.44 GHz)**



**Figure 8-12. Sensitivity versus Temperature (WBMS, 2.44 GHz)**

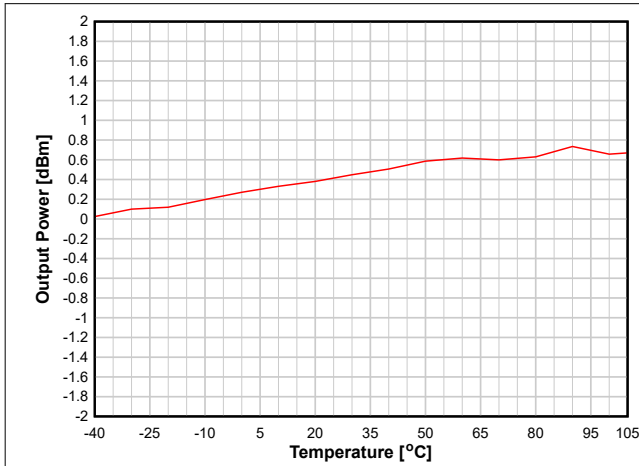


**Figure 8-13. Sensitivity versus Supply Voltage (VDDS) (WBMS, 2.44 GHz)**

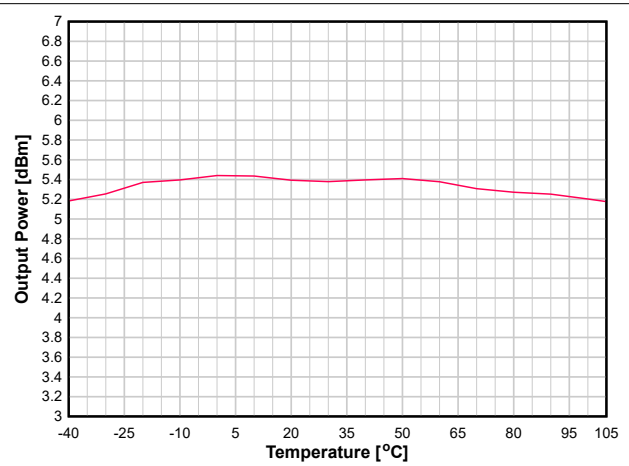


**Figure 8-14. Sensitivity versus Supply Voltage (VDDS) (WBMS, 2.44 GHz, DCDC off)**

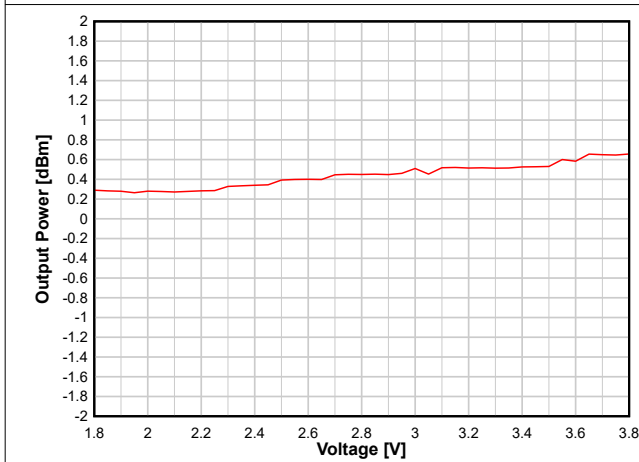
### 8.13.5 TX Performance



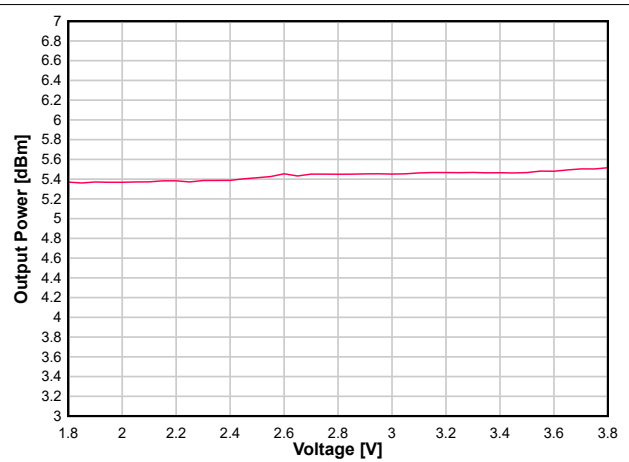
**Figure 8-15. Output Power vs. Temperature (WBMS, 2.44 GHz, 0dBm)**



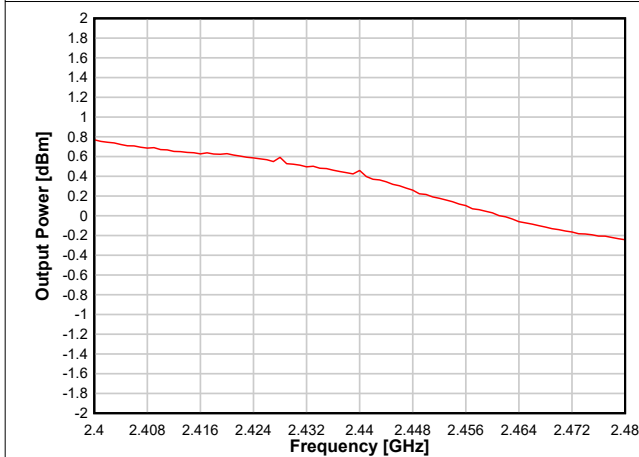
**Figure 8-16. Output Power vs. Temperature (WBMS, 2.44 GHz, +5dBm)**



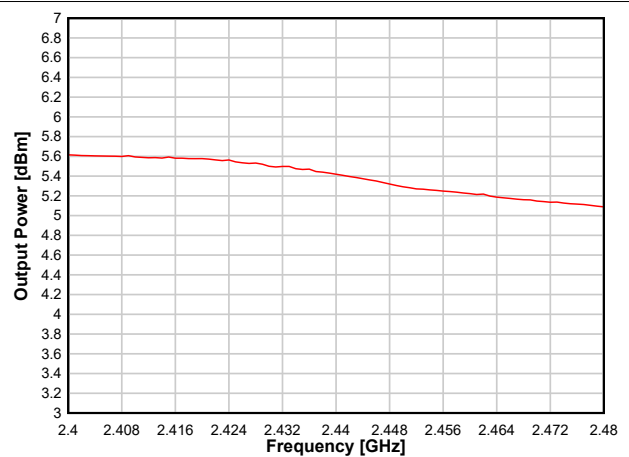
**Figure 8-17. Output Power vs. Supply Voltage (VDDS) (WBMS, 2.44 GHz, 0dBm)**



**Figure 8-18. Output Power vs. Supply Voltage (VDDS) (WBMS, 2.44 GHz, +5dBm)**



**Figure 8-19. Output Power vs. Frequency (WBMS, 0dBm)**



**Figure 8-20. Output Power vs. Frequency (WBMS, +5dBm)**

### 8.13.6 ADC Performance

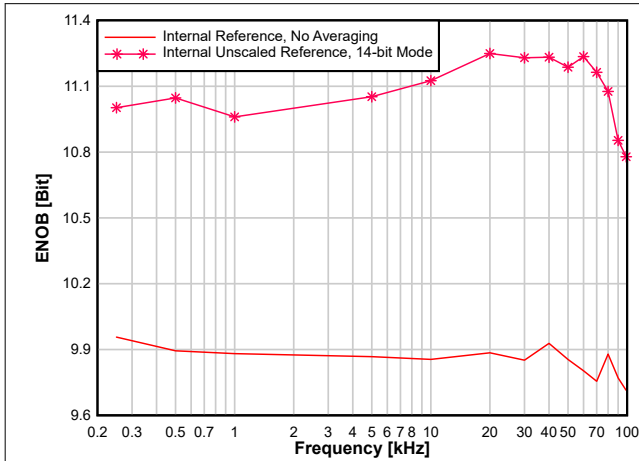


Figure 8-21. ENOB versus Input Frequency

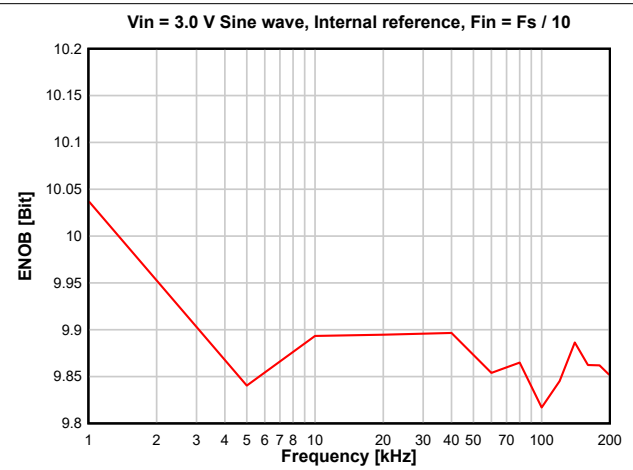


Figure 8-22. ENOB versus Sampling Frequency

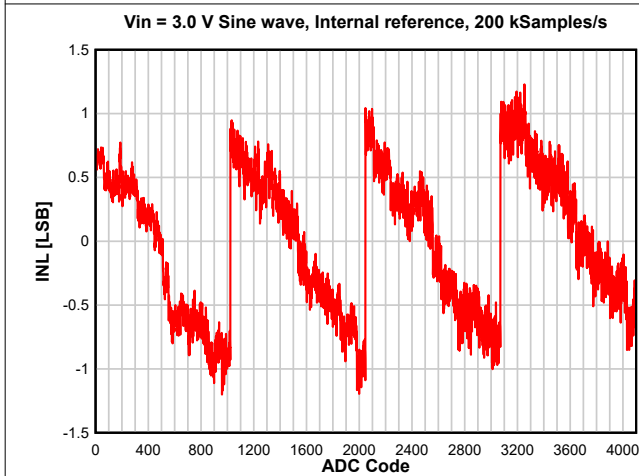


Figure 8-23. INL versus ADC Code

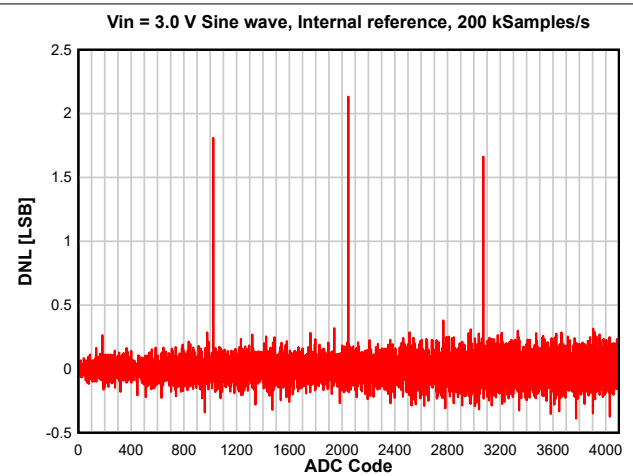


Figure 8-24. DNL versus ADC Code

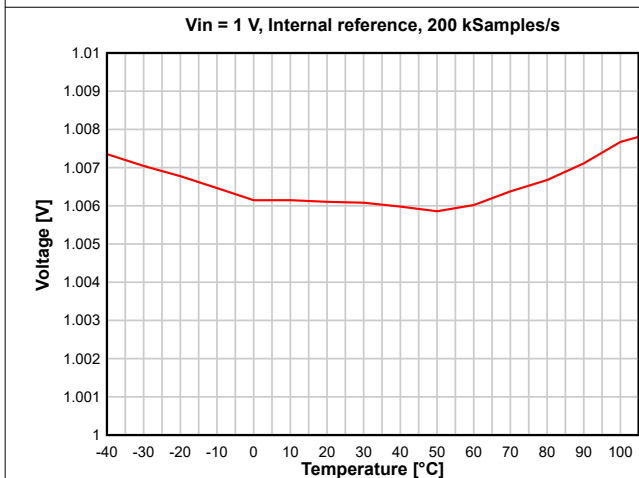


Figure 8-25. ADC Accuracy versus Temperature

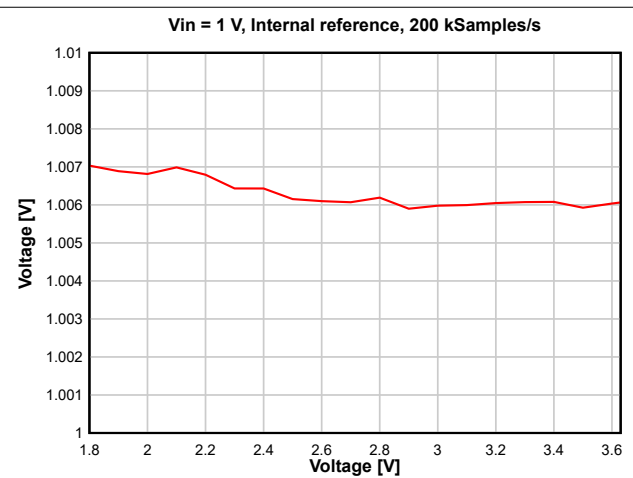


Figure 8-26. ADC Accuracy versus VDD5

## 9 Detailed Description

### 9.1 Overview

Figure 4-1 shows the core modules of the CC2662R-Q1 device.

### 9.2 System CPU

The CC2662R-Q1 SimpleLink™ Wireless MCU contains an Arm® Cortex®-M4F system CPU, which runs the application and the higher layers of the Wireless BMS protocol stack.

The system CPU is the foundation of a high-performance, low-cost platform that meets the system requirements of minimal memory implementation, and low-power consumption, while delivering outstanding computational performance and exceptional system response to interrupts.

Its features include the following:

- ARMv7-M architecture optimized for small-footprint embedded applications
- Arm Thumb®-2 mixed 16- and 32-bit instruction set delivers the high performance expected of a 32-bit Arm core in a compact memory size
- Fast code execution permits increased sleep mode time
- Deterministic, high-performance interrupt handling for time-critical applications
- Single-cycle multiply instruction and hardware divide
- Hardware division and fast digital-signal-processing oriented multiply accumulate
- Saturating arithmetic for signal processing
- IEEE 754-compliant single-precision Floating Point Unit (FPU)
- Memory Protection Unit (MPU) for safety-critical applications
- Full debug with data matching for watchpoint generation
  - Data Watchpoint and Trace Unit (DWT)
  - JTAG Debug Access Port (DAP)
  - Flash Patch and Breakpoint Unit (FPB)
- Trace support reduces the number of pins required for debugging and tracing
  - Instrumentation Trace Macrocell Unit (ITM)
  - Trace Port Interface Unit (TPIU) with asynchronous serial wire output (SWO)
- Optimized for single-cycle flash memory access
- Tightly connected to 8-KB 4-way random replacement cache for minimal active power consumption and wait states
- Ultra-low-power consumption with integrated sleep modes
- 48 MHz operation
- 1.25 DMIPS per MHz

### 9.3 Radio (RF Core)

The RF Core is a highly flexible and future proof radio module which contains an Arm Cortex-M0 processor that interfaces the analog RF and base-band circuitry, handles data to and from the system CPU side, and assembles the information bits in a given packet structure. The RF Core offers a high level, command-based API to the main CPU that configurations and data are passed through. The Arm Cortex-M0 processor is not programmable by customers and is interfaced through the TI-provided RF driver that is included with the SimpleLink Software Development Kit (SDK).

The RF Core can autonomously handle the time-critical aspects of the radio protocols, thus offloading the main CPU, which reduces power consumption and leaves more resources for the user application. Several signals are also available to control external circuitry such as RF switches or range extenders autonomously.

The various physical layer radio formats are partly built as a software defined radio where the radio behavior is either defined by radio ROM contents or by non-ROM radio formats delivered in form of firmware patches with the SimpleLink SDKs. This allows the radio platform to be updated for support of future versions of standards even with over-the-air (OTA) upgrades while still using the same silicon.



## 9.4 Memory

The up to 352-KB nonvolatile (Flash) memory provides storage for code and data. The flash memory is in-system programmable and erasable. The last flash memory sector must contain a Customer Configuration section (CCFG) that is used by boot ROM and TI provided drivers to configure the device. This configuration is done through the `ccfg.c` source file that is included in all TI provided examples.

The ultra-low leakage system static RAM (SRAM) is split into up to five 16-KB blocks and can be used for both storage of data and execution of code. Retention of SRAM contents in Standby power mode is enabled by default and included in Standby mode power consumption numbers. Parity checking for detection of bit errors in memory is built-in, which reduces chip-level soft errors and thereby increases reliability. System SRAM is always initialized to zeroes upon code execution from boot.

To improve code execution speed and lower power when executing code from nonvolatile memory, a 4-way nonassociative 8-KB cache is enabled by default to cache and prefetch instructions read by the system CPU. The cache can be used as a general-purpose RAM by enabling this feature in the Customer Configuration Area (CCFG).

There is a 4-KB ultra-low leakage SRAM available for use with the Sensor Controller Engine which is typically used for storing Sensor Controller programs, data and configuration parameters. This RAM is also accessible by the system CPU. The Sensor Controller RAM is not cleared to zeroes between system resets.

The ROM includes a TI-RTOS kernel and low-level drivers, as well as significant parts of selected radio stacks, which frees up flash memory for the application. The ROM also contains a serial (SPI and UART) bootloader that can be used for initial programming of the device.

## 9.5 Sensor Controller

The Sensor Controller contains circuitry that can be selectively enabled in both Standby and Active power modes. The peripherals in this domain can be controlled by the Sensor Controller Engine, which is a proprietary power-optimized CPU. This CPU can read and monitor sensors or perform other tasks autonomously; thereby significantly reducing power consumption and offloading the system CPU.

The Sensor Controller Engine is user programmable with a simple programming language that has a syntax similar to C. This programmability allows for sensor polling and other tasks to be specified as sequential algorithms rather than static configuration of complex peripheral modules, timers, DMA, register programmable state machines, or event routing.

The main advantages are:

- Flexibility - data can be read and processed in unlimited manners while still
- 2 MHz low-power mode enables lowest possible handling of digital sensors
- Dynamic reuse of hardware resources
- 40-bit accumulator supporting multiplication, addition and shift
- Observability and debugging options

[Sensor Controller Studio](#) is used to write, test, and debug code for the Sensor Controller. The tool produces C driver source code, which the System CPU application uses to control and exchange data with the Sensor Controller. Typical use cases may be (but are not limited to) the following:

- Read analog sensors using integrated ADC or comparators
- Interface digital sensors using GPIOs, SPI, UART, or I<sup>2</sup>C (UART and I<sup>2</sup>C are bit-banged)
- Capacitive sensing
- Waveform generation
- Very low-power pulse counting (flow metering)
- Key scan

The Sensor Controller peripherals include the following:

- The low-power clocked comparator can be used to wake the system CPU from any state in which the comparator is active. A configurable internal reference DAC can be used in conjunction with the comparator. The output of the comparator can also be used to trigger an interrupt or the ADC.
- Capacitive sensing functionality is implemented through the use of a constant current source, a time-to-digital converter, and a comparator. The continuous time comparator in this block can also be used as a higher-accuracy alternative to the low-power clocked comparator. The Sensor Controller takes care of baseline tracking, hysteresis, filtering, and other related functions when these modules are used for capacitive sensing.
- The ADC is a 12-bit, 200-ksamples/s ADC with eight inputs and a built-in voltage reference. The ADC can be triggered by many different sources including timers, I/O pins, software, and comparators.
- The analog modules can connect to up to eight different GPIOs
- Dedicated SPI Controller with up to 6 MHz clock speed

The Sensor Controller peripherals can also be controlled from the main application processor.

## 9.6 Cryptography

The CC2662R-Q1 device comes with a wide set of modern cryptography-related hardware accelerators, drastically reducing code footprint and execution time for cryptographic operations. It also has the benefit of being lower power and improves availability and responsiveness of the system because the cryptography operations runs in a background hardware thread.

Together with a large selection of open-source cryptography libraries provided with the Software Development Kit (SDK), this allows for secure and future proof IoT applications to be easily built on top of the platform. The hardware accelerator modules are:

- **True Random Number Generator (TRNG)** module provides a true, nondeterministic noise source for the purpose of generating keys, initialization vectors (IVs), and other random number requirements. The TRNG is built on 24 ring oscillators that create unpredictable output to feed a complex nonlinear-combinatorial circuit.
- **Secure Hash Algorithm 2 (SHA-2)** with support for SHA224, SHA256, SHA384, and SHA512
- **Advanced Encryption Standard (AES)** with 128 and 256 bit key lengths
- **Public Key Accelerator** - Hardware accelerator supporting mathematical operations needed for elliptic curves up to 512 bits and RSA key pair generation up to 1024 bits.

Through use of these modules and the TI provided cryptography drivers, the following capabilities are available for an application or stack:

- **Key Agreement Schemes**
  - Elliptic curve Diffie–Hellman with static or ephemeral keys (ECDH and ECDHE)
  - Elliptic curve Password Authenticated Key Exchange by Juggling (ECJ-PAKE)
- **Signature Generation**
  - Elliptic curve Diffie-Hellman Digital Signature Algorithm (ECDSA)
- **Curve Support**
  - Short Weierstrass form (full hardware support), such as:
    - NIST-P224, NIST-P256, NIST-P384, NIST-P521
    - Brainpool-256R1, Brainpool-384R1, Brainpool-512R1
    - secp256r1
  - Montgomery form (hardware support for multiplication), such as:
    - Curve25519
- **SHA2 based MACs**
  - HMAC with SHA224, SHA256, SHA384, or SHA512
- Block cipher mode of operation
  - AESCCM
  - AESGCM
  - AESECB
  - AESCBC
  - AESCBC-MAC
- **True random number generation**

Other capabilities, such as RSA encryption and signatures as well as Edwards type of elliptic curves such as Curve1174 or Ed25519, can also be implemented using the provided hardware accelerators but are not part of the TI SimpleLink SDK for the CC2662R-Q1 device.

## 9.7 Timers

A large selection of timers are available as part of the CC2662R-Q1 device. These timers are:

- **Real-Time Clock (RTC)**

A 70-bit 3-channel timer running on the 32 kHz low frequency system clock (SCLK\_LF)

This timer is available in all power modes except Shutdown. The timer can be calibrated to compensate for frequency drift when using the RCOSC\_LF as the low frequency system clock. If an external LF clock with frequency different from 32.768 kHz is used, the RTC tick speed can be adjusted to compensate for this. When using TI-RTOS, the RTC is used as the base timer in the operating system and should thus only be accessed through the kernel APIs such as the Clock module. The real time clock can also be read by the Sensor Controller Engine to timestamp sensor data and also has dedicated capture channels. By default, the RTC halts when a debugger halts the device.

- **General-Purpose Timers (GPTIMER)**

The four flexible GPTIMERS can be used as either 4× 32 bit timers or 8× 16 bit timers, all running on up to 48 MHz. Each of the 16- or 32-bit timers support a wide range of features such as one-shot or periodic counting, pulse width modulation (PWM), time counting between edges and edge counting. The inputs and outputs of the timer are connected to the device event fabric, which allows the timers to interact with signals such as GPIO inputs, other timers, DMA and ADC. The GPTIMERS are available in Active and Idle power modes.

- **Sensor Controller Timers**

The Sensor Controller contains 3 timers:

AUX Timer 0 and 1 are 16-bit timers with a  $2^N$  prescaler. Timers can either increment on a clock or on each edge of a selected tick source. Both one-shot and periodical timer modes are available.

AUX Timer 2 is a 16-bit timer that can operate at 24 MHz, 2 MHz or 32 kHz independent of the Sensor Controller functionality. There are 4 capture or compare channels, which can be operated in one-shot or periodical modes. The timer can be used to generate events for the Sensor Controller Engine or the ADC, as well as for PWM output or waveform generation.

- **Radio Timer**

A multichannel 32-bit timer running at 4 MHz is available as part of the device radio. The radio timer is typically used as the timing base in wireless network communication using the 32-bit timing word as the network time. The radio timer is synchronized with the RTC by using a dedicated radio API when the device radio is turned on or off. This ensures that for a network stack, the radio timer seems to always be running when the radio is enabled. The radio timer is in most cases used indirectly through the trigger time fields in the radio APIs and should only be used when running the accurate 48 MHz high frequency crystal as the source of SCLK\_HF.

- **Watchdog timer**

The watchdog timer is used to regain control if the system operates incorrectly due to software errors. It is typically used to generate an interrupt to and reset of the device for the case where periodic monitoring of the system components and tasks fails to verify proper functionality. The watchdog timer runs on a 1.5 MHz clock rate and cannot be stopped once enabled. The watchdog timer pauses to run in Standby power mode and when a debugger halts the device.

## 9.8 Serial Peripherals and I/O

The SSIs are synchronous serial interfaces that are compatible with SPI, MICROWIRE, and TI's synchronous serial interfaces. The SSIs support both SPI Controller and Peripheral up to 4 MHz. The SSI modules support configurable phase and polarity.

The UARTs implement universal asynchronous receiver and transmitter functions. They support flexible baud-rate generation up to a maximum of 3 Mbps.

The I<sup>2</sup>S interface is used to handle digital audio and can also be used to interface pulse-density modulation microphones (PDM).

The I<sup>2</sup>C interface is also used to communicate with devices compatible with the I<sup>2</sup>C standard. The I<sup>2</sup>C interface can handle 100 kHz and 400 kHz operation, and can serve as both Controller and Target.

The I/O controller (IOC) controls the digital I/O pins and contains multiplexer circuitry to allow a set of peripherals to be assigned to I/O pins in a flexible manner. All digital I/Os are interrupt and wake-up capable, have a programmable pullup and pulldown function, and can generate an interrupt on a negative or positive edge (configurable). When configured as an output, pins can function as either push-pull or open-drain. Five GPIOs have high-drive capabilities, which are marked in **bold** in [Section 7](#). All digital peripherals can be connected to any digital pin on the device.

For more information, see the [CC13x2, CC26x2 SimpleLink™ Wireless MCU Technical Reference Manual](#).

## 9.9 Battery and Temperature Monitor

A combined temperature and battery voltage monitor is available in the CC2662R-Q1 device. The battery and temperature monitor allows an application to continuously monitor on-chip temperature and supply voltage and respond to changes in environmental conditions as needed. The module contains window comparators to interrupt the system CPU when temperature or supply voltage go outside defined windows. These events can also be used to wake up the device from Standby mode through the Always-On (AON) event fabric.

## 9.10 $\mu$ DMA

The device includes a direct memory access ( $\mu$ DMA) controller. The  $\mu$ DMA controller provides a way to offload data-transfer tasks from the system CPU, thus allowing for more efficient use of the processor and the available bus bandwidth. The  $\mu$ DMA controller can perform a transfer between memory and peripherals. The  $\mu$ DMA controller has dedicated channels for each supported on-chip module and can be programmed to automatically perform transfers between peripherals and memory when the peripheral is ready to transfer more data.

Some features of the  $\mu$ DMA controller include the following (this is not an exhaustive list):

- Highly flexible and configurable channel operation of up to 32 channels
- Transfer modes: memory-to-memory, memory-to-peripheral, peripheral-to-memory, and peripheral-to-peripheral
- Data sizes of 8, 16, and 32 bits
- Ping-pong mode for continuous streaming of data

## 9.11 Debug

The on-chip debug support is done through a dedicated cJTAG (IEEE 1149.7) or JTAG (IEEE 1149.1) interface. The device boots by default into cJTAG mode and must be reconfigured to use 4-pin JTAG.

## 9.12 Power Management

To minimize power consumption, the CC2662R-Q1 supports a number of power modes and power management features (see [Table 9-1](#)).

**Table 9-1. Power Modes**

| MODE                               | SOFTWARE CONFIGURABLE POWER MODES |                     |                     |           | RESET PIN HELD |
|------------------------------------|-----------------------------------|---------------------|---------------------|-----------|----------------|
|                                    | ACTIVE                            | IDLE                | STANDBY             | SHUTDOWN  |                |
| <b>CPU</b>                         | Active                            | Off                 | Off                 | Off       | Off            |
| <b>Flash</b>                       | On                                | Available           | Off                 | Off       | Off            |
| <b>SRAM</b>                        | On                                | On                  | Retention           | Off       | Off            |
| <b>Supply System</b>               | On                                | On                  | Duty Cycled         | Off       | Off            |
| Register and CPU retention         | Full                              | Full                | Partial             | No        | No             |
| SRAM retention                     | Full                              | Full                | Full                | No        | No             |
| 48 MHz high-speed clock (SCLK_HF)  | XOSC_HF or RCOSC_HF               | XOSC_HF or RCOSC_HF | Off                 | Off       | Off            |
| 2 MHz medium-speed clock (SCLK_MF) | RCOSC_MF                          | RCOSC_MF            | Available           | Off       | Off            |
| 32 kHz low-speed clock (SCLK_LF)   | XOSC_LF or RCOSC_LF               | XOSC_LF or RCOSC_LF | XOSC_LF or RCOSC_LF | Off       | Off            |
| Peripherals                        | Available                         | Available           | Off                 | Off       | Off            |
| Sensor Controller                  | Available                         | Available           | Available           | Off       | Off            |
| Wake-up on RTC                     | Available                         | Available           | Available           | Off       | Off            |
| Wake-up on pin edge                | Available                         | Available           | Available           | Available | Off            |
| Wake-up on reset pin               | On                                | On                  | On                  | On        | On             |
| Brownout detector (BOD)            | On                                | On                  | Duty Cycled         | Off       | Off            |
| Power-on reset (POR)               | On                                | On                  | On                  | Off       | Off            |
| Watchdog timer (WDT)               | Available                         | Available           | Paused              | Off       | Off            |

In **Active** mode, the application system CPU is actively executing code. Active mode provides normal operation of the CPU and all of the peripherals that are currently enabled. The system clock can be any available clock source (see [Table 9-1](#)).

In **Idle** mode, all active peripherals can be clocked, but the Application CPU core and memory are not clocked and no code is executed. Any interrupt event brings the processor back into active mode.

In **Standby** mode, only the always-on (AON) domain is active. An external wake-up event, RTC event, or Sensor Controller event is required to bring the device back to active mode. MCU peripherals with retention do not need to be reconfigured when waking up again, and the CPU continues execution from where it went into standby mode. All GPIOs are latched in standby mode.

In **Shutdown** mode, the device is entirely turned off (including the AON domain and Sensor Controller), and the I/Os are latched with the value they had before entering shutdown mode. A change of state on any I/O pin defined as a *wake from shutdown pin* wakes up the device and functions as a reset trigger. The CPU can differentiate between reset in this way and reset-by-reset pin or power-on reset by reading the reset status register. The only state retained in this mode is the latched I/O state and the flash memory contents.

The Sensor Controller is an autonomous processor that can control the peripherals in the Sensor Interface independently of the system CPU. This means that the system CPU does not have to wake up, for example to perform an ADC sampling or poll a digital sensor over SPI, thus saving both current and wake-up time that would otherwise be wasted. The [Sensor Controller Studio](#) tool enables the user to program the Sensor Controller, control its peripherals, and wake up the system CPU as needed. All Sensor Controller peripherals can also be controlled by the system CPU.

---

#### Note

The power, RF and clock management for the CC2662R-Q1 device require specific configuration and handling by software for optimized performance. This configuration and handling is implemented in the TI-provided drivers that are part of the CC2662R-Q1 software development kit (SDK). Therefore, TI highly recommends using this software framework for all application development on the device. The complete [SDK](#) with TI-RTOS, device drivers, and examples are offered free of charge in source code.

---

### 9.13 Clock Systems

The CC2662R-Q1 device has several internal system clocks.

The 48 MHz SCLK\_HF is used as the main system (MCU and peripherals) clock. This can be driven by the internal 48 MHz RC Oscillator (RCOSC\_HF) or an external 48 MHz crystal (XOSC\_HF). Radio operation requires an external 48 MHz crystal.

SCLK\_MF is an internal 2 MHz clock that is used by the Sensor Controller in low-power mode and also for internal power management circuitry. The SCLK\_MF clock is always driven by the internal 2 MHz RC Oscillator (RCOSC\_MF).

SCLK\_LF is the 32.768 kHz internal low-frequency system clock. It can be used by the Sensor Controller for ultra-low-power operation and is also used for the RTC and to synchronize the radio timer before or after Standby power mode. SCLK\_LF can be driven by the internal 32.8 kHz RC Oscillator (RCOSC\_LF), a 32.768 kHz watch-type crystal, or a clock input on any digital IO.

When using a crystal or the internal RC oscillator, the device can output the 32 kHz SCLK\_LF signal to other devices, thereby reducing the overall system cost. Note that the [SDK](#) relies on a 32.768 kHz crystal (XOSC\_LF) being used.

### 9.14 Network Processor

Depending on the product configuration, the CC2662R-Q1 device can function as a wireless network processor (WNP - a device running the wireless protocol stack with the application running on a separate host MCU), or as a system-on-chip (SoC) with the application and protocol stack running on the system CPU inside the device.

In the first case, the external host MCU communicates with the device using SPI or UART. In the second case, the application must be written according to the application framework supplied with the wireless protocol stack.

## 10 Application, Implementation, and Layout

---

### Note

Information in the following applications sections is not part of the TI component specification, and TI does not warrant its accuracy or completeness. TI's customers are responsible for determining suitability of components for their purposes, as well as validating and testing their design implementation to confirm system functionality.

---

For general design guidelines and hardware configuration guidelines, refer to [CC13xx/CC26xx Hardware Configuration and PCB Design Considerations Application Report](#).

### 10.1 Reference Designs

The following reference designs should be followed closely when implementing designs using the CC2662R-Q1 device.

Special attention must be paid to RF component placement, decoupling capacitors and DC/DC regulator components, as well as ground connections for all of these.

#### [CC26x2REM-7ID-Q1 Design Files](#)

The CC26x2REM-7ID-Q1 reference design provides schematic, layout and production files for the characterization board used for deriving the performance number found in this document.

#### [CC2662RQ1-EVM-WBMS Design Files](#)

The CC2662RQ1-EVM-WBMS Design Files contain detailed schematics and layouts to build application specific boards using the CC2662R-Q1 device.

#### [Sub-1 GHz and 2.4 GHz Antenna Kit for LaunchPad™ Development Kit and SensorTag](#)

The antenna kit allows real-life testing to identify the optimal antenna for your application. The antenna kit includes 16 antennas covering frequencies from 169 MHz to 2.4 GHz, including:

- PCB antennas
- Helical antennas
- Chip antennas
- Dual-band antennas for 868 MHz and 915 MHz combined with 2.4 GHz

The antenna kit includes a JSC cable to connect to the Wireless MCU LaunchPad Development Kits and SensorTags.



## 10.2 Junction Temperature Calculation

This section shows the different techniques for calculating the junction temperature under various operating conditions. For more details, see [Semiconductor and IC Package Thermal Metrics](#).

There are three recommended ways to derive the junction temperature from other measured temperatures:

1. From package temperature:

$$T_J = \psi_{JT} \times P + T_{\text{case}} \quad (1)$$

2. From board temperature:

$$T_J = \psi_{JB} \times P + T_{\text{board}} \quad (2)$$

3. From ambient temperature:

$$T_J = R_{\theta JA} \times P + T_A \quad (3)$$

P is the power dissipated from the device and can be calculated by multiplying current consumption with supply voltage. Thermal resistance coefficients are found in [Section 8.8](#).

### Example:

Using [Equation 3](#), the temperature difference between ambient temperature and junction temperature is calculated. In this example, we assume a simple use case where the radio is transmitting continuously at 0 dBm output power. Let us assume the ambient temperature is 105 °C and the supply voltage is 3 V. To calculate P, we need to look up the current consumption for Tx at 105 °C in . From the plot, we see that the current consumption is 7.9 mA. This means that P is 7.9 mA × 3 V = 23.7 mW.

The junction temperature is then calculated as:

$$T_J = 23.0^\circ\text{C}/\text{W} \times 23.7\text{mW} + T_A = 0.5^\circ\text{C} + T_A \quad (4)$$

As can be seen from the example, the junction temperature will be 0.5 °C higher than the ambient temperature when running continuous Tx at 105 °C.

For various application use cases current consumption for other modules may have to be added to calculate the appropriate power dissipation. For example, the MCU may be running simultaneously as the radio, peripheral modules may be enabled, etc. Typically, the easiest way to find the peak current consumption, and thus the peak power dissipation in the device, is to measure as described in [Measuring CC13xx and CC26xx current consumption](#).

## 11 Device and Documentation Support

TI offers an extensive line of development tools. Tools and software to evaluate the performance of the device, generate code, and develop solutions are listed as follows.

### 11.1 Device Nomenclature

To designate the stages in the product development cycle, TI assigns prefixes to all part numbers and/or date-code. Each device has one of three prefixes/identifications: X, P, or null (no prefix) (for example, XCC2662R-Q1 is in preview; therefore, an X prefix/identification is assigned).

Device development evolutionary flow:

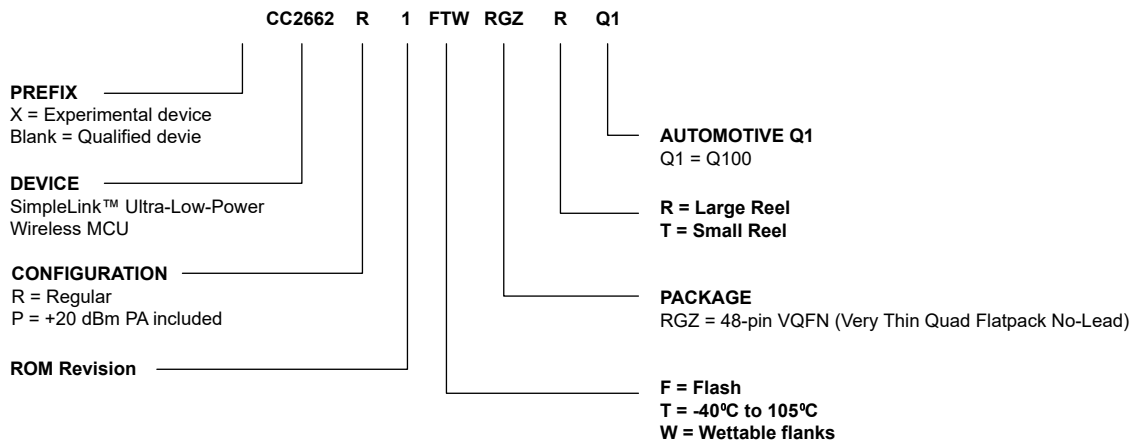
- X** Experimental device that is not necessarily representative of the final device's electrical specifications and may not use production assembly flow.
- P** Prototype device that is not necessarily the final silicon die and may not necessarily meet final electrical specifications.
- null** Production version of the silicon die that is fully qualified.

Production devices have been characterized fully, and the quality and reliability of the device have been demonstrated fully. TI's standard warranty applies.

Predictions show that prototype devices (X or P) have a greater failure rate than the standard production devices. Texas Instruments recommends that these devices not be used in any production system because their expected end-use failure rate still is undefined. Only qualified production devices are to be used.

TI device nomenclature also includes a suffix with the device family name. This suffix indicates the package type (for example, RGZ).

For orderable part numbers of CC2662R-Q1 devices in the RGZ (7-mm x 7-mm) package type, see the *Package Option Addendum* of this document, the Device Information in [Section 3](#), the TI website ([www.ti.com](http://www.ti.com)), or contact your TI sales representative.



**Figure 11-1. Device Nomenclature**

### 11.2 Tools and Software

The CC2662R-Q1 device is supported by a variety of software and hardware development tools.

#### Development Kit

##### [CC2662RQ1-EVM-WBMS Development Kit](#)

The SimpleLink CC2662RQ1-EVM-WBMS development kit is an easy-to-use evaluation module for Wireless BMS evaluation board featuring BQ7961x-Q1 FuSa Compliant and SimpleLink™ CC2662R-Q1 wireless MCU.

It contains everything needed to start developing on the SimpleLink™ CC2662R-Q1, including a XDS110 JTAG debug probe for programming, debugging, and energy measurements.

The SimpleLink™ CC2662R-Q1 is an AEC-Q100 compliant wireless microcontroller (MCU) targeting wireless automotive applications. The device is optimized for low-power wireless communication in applications such as battery management systems (BMS) and cable replacement.

## Software

### SimpleLink™ WMBS SDK

The SimpleLink WMBS Software Development Kit (SDK) provides a complete package for the development of wireless applications on the 2.4 GHz CC2662R-Q1 device

The SimpleLink WMBS SDK is part of TI's SimpleLink MCU platform, offering a single development environment that delivers flexible hardware, software and tool options for customers developing wired and wireless applications. For more information about the SimpleLink MCU Platform, visit <http://www.ti.com/simplelink>.

## Development Tools

### Code Composer Studio™ Integrated Development Environment (IDE)

Code Composer Studio is an integrated development environment (IDE) that supports TI's Microcontroller and Embedded Processors portfolio. Code Composer Studio comprises a suite of tools used to develop and debug embedded applications. It includes an optimizing C/C++ compiler, source code editor, project build environment, debugger, profiler, and many other features. The intuitive IDE provides a single user interface taking you through each step of the application development flow. Familiar tools and interfaces allow users to get started faster than ever before. Code Composer Studio combines the advantages of the Eclipse® software framework with advanced embedded debug capabilities from TI resulting in a compelling feature-rich development environment for embedded developers.

CCS has support for all SimpleLink Wireless MCUs and includes support for EnergyTrace™ software (application energy usage profiling). A real-time object viewer plugin is available for TI-RTOS, part of the SimpleLink SDK.

Code Composer Studio is provided free of charge when used in conjunction with the XDS debuggers included on a LaunchPad Development Kit.

### SmartRF™ Studio

SmartRF™ Studio is a Windows® application that can be used to evaluate and configure SimpleLink Wireless MCUs from Texas Instruments. The application will help designers of RF systems to easily evaluate the radio at an early stage in the design process. It is especially useful for generation of configuration register values and for practical testing and debugging of the RF system. SmartRF Studio can be used either as a standalone application or together with applicable evaluation boards or debug probes for the RF device. Features of the SmartRF Studio include:

- Link tests - send and receive packets between nodes
- Antenna and radiation tests - set the radio in continuous wave TX and RX states
- Export radio configuration code for use with the TI SimpleLink SDK RF driver
- Custom GPIO configuration for signaling and control of external switches

## Sensor Controller Studio

Sensor Controller Studio is used to write, test and debug code for the Sensor Controller peripheral. The tool generates a Sensor Controller Interface driver, which is a set of C source files that are compiled into the System CPU application. These source files also contain the Sensor Controller binary image and allow the System CPU application to control and exchange data with the Sensor Controller. Features of the Sensor Controller Studio include:

- Ready-to-use examples for several common use cases
- Full toolchain with built-in compiler and assembler for programming in a C-like programming language
- Provides rapid development by using the integrated sensor controller task testing and debugging functionality, including visualization of sensor data and verification of algorithms

## CCS UniFlash

CCS UniFlash is a standalone tool used to program on-chip flash memory on TI MCUs. UniFlash has a GUI, command line, and scripting interface. CCS UniFlash is available free of charge.

### 11.2.1 SimpleLink™ Microcontroller Platform

The SimpleLink microcontroller platform sets a new standard for developers with the broadest portfolio of wired and wireless Arm® MCUs (System-on-Chip) in a single software development environment. Delivering flexible hardware, software and tool options for your IoT applications. Invest once in the SimpleLink software development kit and use it throughout your entire portfolio. Learn more on [ti.com/simplelink](https://ti.com/simplelink).

### 11.3 Documentation Support

To receive notification of documentation updates on data sheets, errata, application notes and similar, navigate to the device product folder on [ti.com/product/CC2662R-Q1](https://ti.com/product/CC2662R-Q1). In the upper right corner, click on *Alert me* to register and receive a weekly digest of any product information that has changed. For change details, review the revision history included in any revised document.

The current documentation that describes the MCU, related peripherals, and other technical collateral is listed as follows.

#### Errata

##### [CC2662R-Q1 Silicon Errata](#)

The silicon errata describes the known exceptions to the functional specifications for each silicon revision of the device and description on how to recognize a device revision.

#### Application Reports

All application reports for the CC2662R-Q1 device are found on the device product folder at: [ti.com/product/CC2662R-Q1](https://ti.com/product/CC2662R-Q1).

## Technical Reference Manual (TRM)

### [CC13x2, CC26x2 SimpleLink™ Wireless MCU TRM](#)

The TRM provides a detailed description of all modules and peripherals available in the device family.

## 11.4 Support Resources

[TI E2E™ support forums](#) are an engineer's go-to source for fast, verified answers and design help — straight from the experts. Search existing answers or ask your own question to get the quick design help you need.

Linked content is provided "AS IS" by the respective contributors. They do not constitute TI specifications and do not necessarily reflect TI's views; see TI's [Terms of Use](#).

## 11.5 Trademarks

Code Composer Studio™, EnergyTrace™, and TI E2E™ are trademarks of Texas Instruments.

Arm® and Cortex® are registered trademarks of Arm Limited (or its subsidiaries) in the US and/or elsewhere.

CoreMark® is a registered trademark of Embedded Microprocessor Benchmark Consortium Corporation.

Wi-Fi® is a registered trademark of Wi-Fi Alliance.

Arm Thumb® is a registered trademark of Arm Limited (or its subsidiaries).

Eclipse® is a registered trademark of Eclipse Foundation.

Windows® is a registered trademark of Microsoft Corporation.

All trademarks are the property of their respective owners.

## 11.6 Electrostatic Discharge Caution



This integrated circuit can be damaged by ESD. Texas Instruments recommends that all integrated circuits be handled with appropriate precautions. Failure to observe proper handling and installation procedures can cause damage.

ESD damage can range from subtle performance degradation to complete device failure. Precision integrated circuits may be more susceptible to damage because very small parametric changes could cause the device not to meet its published specifications.

## 11.7 Glossary

[TI Glossary](#) This glossary lists and explains terms, acronyms, and definitions.

## 12 Mechanical, Packaging, and Orderable Information

**PACKAGING INFORMATION**

| Orderable Device  | Status<br>(1) | Package Type | Package Drawing | Pins | Package Qty | Eco Plan<br>(2) | Lead finish/<br>Ball material<br>(6) | MSL Peak Temp<br>(3) | Op Temp (°C) | Device Marking<br>(4/5) | Samples |
|-------------------|---------------|--------------|-----------------|------|-------------|-----------------|--------------------------------------|----------------------|--------------|-------------------------|---------|
| CC2662R1FTWRGZRQ1 | ACTIVE        | VQFN         | RGZ             | 48   | 4000        | RoHS & Green    | NIPDAU                               | Level-3-260C-168 HR  | -40 to 105   | CC2662 Q1<br>R1F        | Samples |

(1) The marketing status values are defined as follows:

**ACTIVE:** Product device recommended for new designs.

**LIFEBUY:** TI has announced that the device will be discontinued, and a lifetime-buy period is in effect.

**NRND:** Not recommended for new designs. Device is in production to support existing customers, but TI does not recommend using this part in a new design.

**PREVIEW:** Device has been announced but is not in production. Samples may or may not be available.

**OBSOLETE:** TI has discontinued the production of the device.

(2) **RoHS:** TI defines "RoHS" to mean semiconductor products that are compliant with the current EU RoHS requirements for all 10 RoHS substances, including the requirement that RoHS substance do not exceed 0.1% by weight in homogeneous materials. Where designed to be soldered at high temperatures, "RoHS" products are suitable for use in specified lead-free processes. TI may reference these types of products as "Pb-Free".

**RoHS Exempt:** TI defines "RoHS Exempt" to mean products that contain lead but are compliant with EU RoHS pursuant to a specific EU RoHS exemption.

**Green:** TI defines "Green" to mean the content of Chlorine (Cl) and Bromine (Br) based flame retardants meet JS709B low halogen requirements of <=100ppm threshold. Antimony trioxide based flame retardants must also meet the <=1000ppm threshold requirement.

(3) MSL, Peak Temp. - The Moisture Sensitivity Level rating according to the JEDEC industry standard classifications, and peak solder temperature.

(4) There may be additional marking, which relates to the logo, the lot trace code information, or the environmental category on the device.

(5) Multiple Device Markings will be inside parentheses. Only one Device Marking contained in parentheses and separated by a "~" will appear on a device. If a line is indented then it is a continuation of the previous line and the two combined represent the entire Device Marking for that device.

(6) Lead finish/Ball material - Orderable Devices may have multiple material finish options. Finish options are separated by a vertical ruled line. Lead finish/Ball material values may wrap to two lines if the finish value exceeds the maximum column width.

**Important Information and Disclaimer:**The information provided on this page represents TI's knowledge and belief as of the date that it is provided. TI bases its knowledge and belief on information provided by third parties, and makes no representation or warranty as to the accuracy of such information. Efforts are underway to better integrate information from third parties. TI has taken and continues to take reasonable steps to provide representative and accurate information but may not have conducted destructive testing or chemical analysis on incoming materials and chemicals. TI and TI suppliers consider certain information to be proprietary, and thus CAS numbers and other limited information may not be available for release.

In no event shall TI's liability arising out of such information exceed the total purchase price of the TI part(s) at issue in this document sold by TI to Customer on an annual basis.



**TAPE AND REEL INFORMATION**

**QUADRANT ASSIGNMENTS FOR PIN 1 ORIENTATION IN TAPE**


\*All dimensions are nominal

| Device            | Package Type | Package Drawing | Pins | SPQ  | Reel Diameter (mm) | Reel Width W1 (mm) | A0 (mm) | B0 (mm) | K0 (mm) | P1 (mm) | W (mm) | Pin1 Quadrant |
|-------------------|--------------|-----------------|------|------|--------------------|--------------------|---------|---------|---------|---------|--------|---------------|
| CC2662R1FTWRGZRQ1 | VQFN         | RGZ             | 48   | 4000 | 330.0              | 16.4               | 7.3     | 7.3     | 1.1     | 12.0    | 16.0   | Q2            |

**TAPE AND REEL BOX DIMENSIONS**


\*All dimensions are nominal

| Device            | Package Type | Package Drawing | Pins | SPQ  | Length (mm) | Width (mm) | Height (mm) |
|-------------------|--------------|-----------------|------|------|-------------|------------|-------------|
| CC2662R1FTWRGZRQ1 | VQFN         | RGZ             | 48   | 4000 | 367.0       | 367.0      | 35.0        |

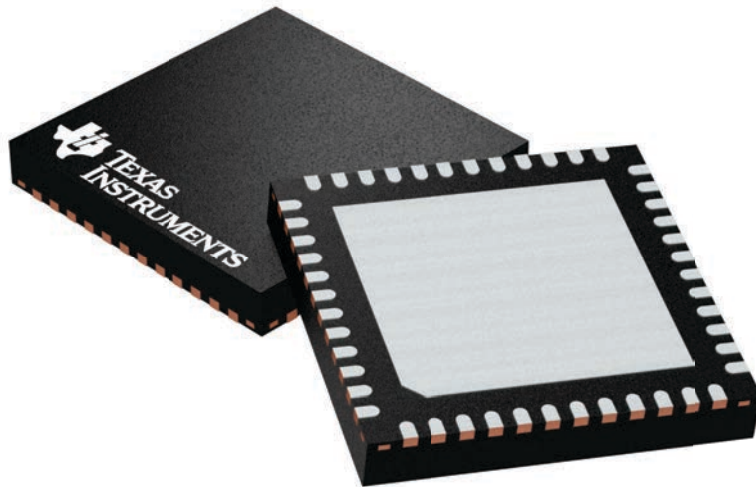
## GENERIC PACKAGE VIEW

**RGZ 48**

**VQFN - 1 mm max height**

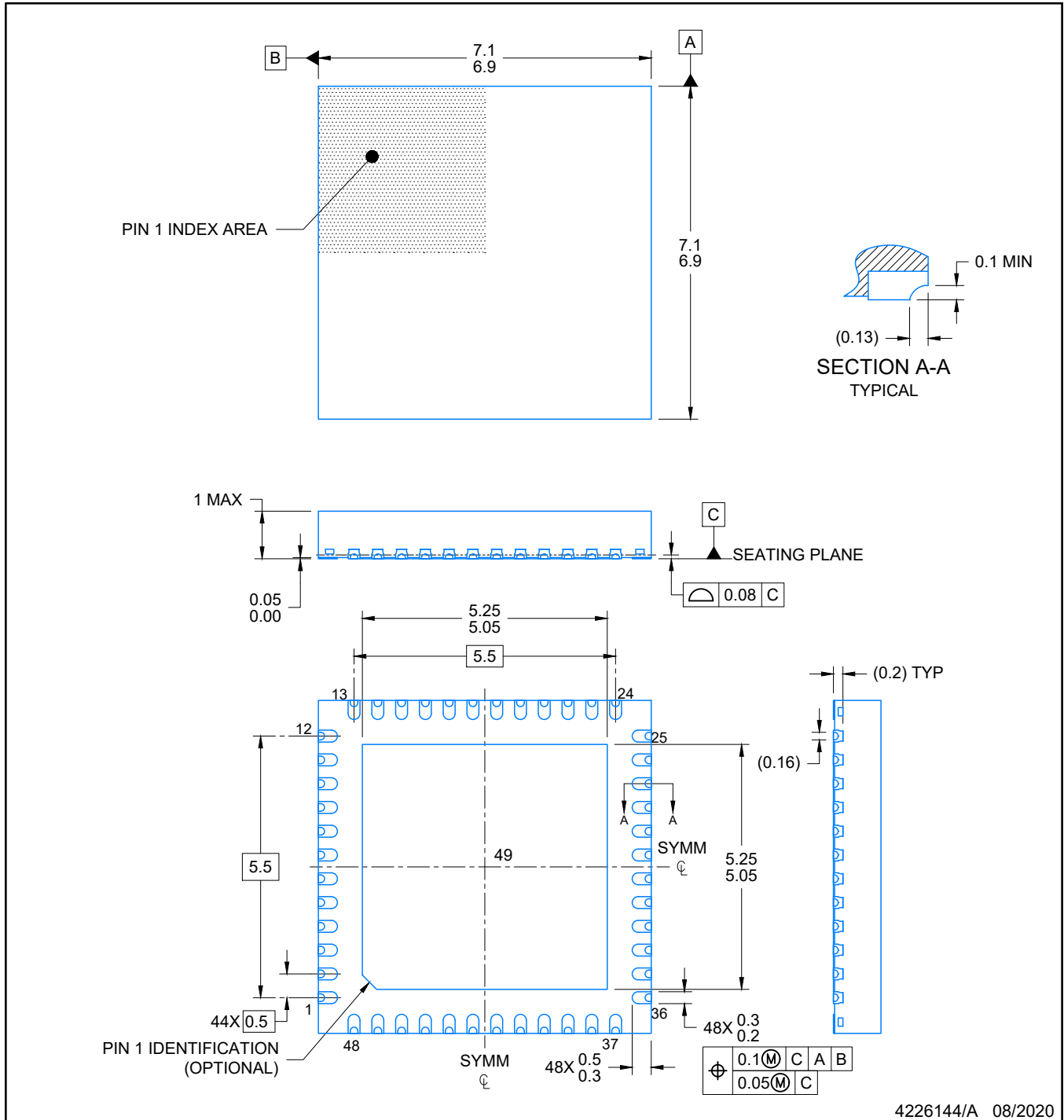
7 x 7, 0.5 mm pitch

PLASTIC QUADFLAT PACK- NO LEAD



Images above are just a representation of the package family, actual package may vary.  
Refer to the product data sheet for package details.

4224671/A



4226144/A 08/2020

NOTES:

1. All linear dimensions are in millimeters. Any dimensions in parenthesis are for reference only. Dimensioning and tolerancing per ASME Y14.5M.
2. This drawing is subject to change without notice.
3. The package thermal pad must be soldered to the printed circuit board for optimal thermal and mechanical performance.

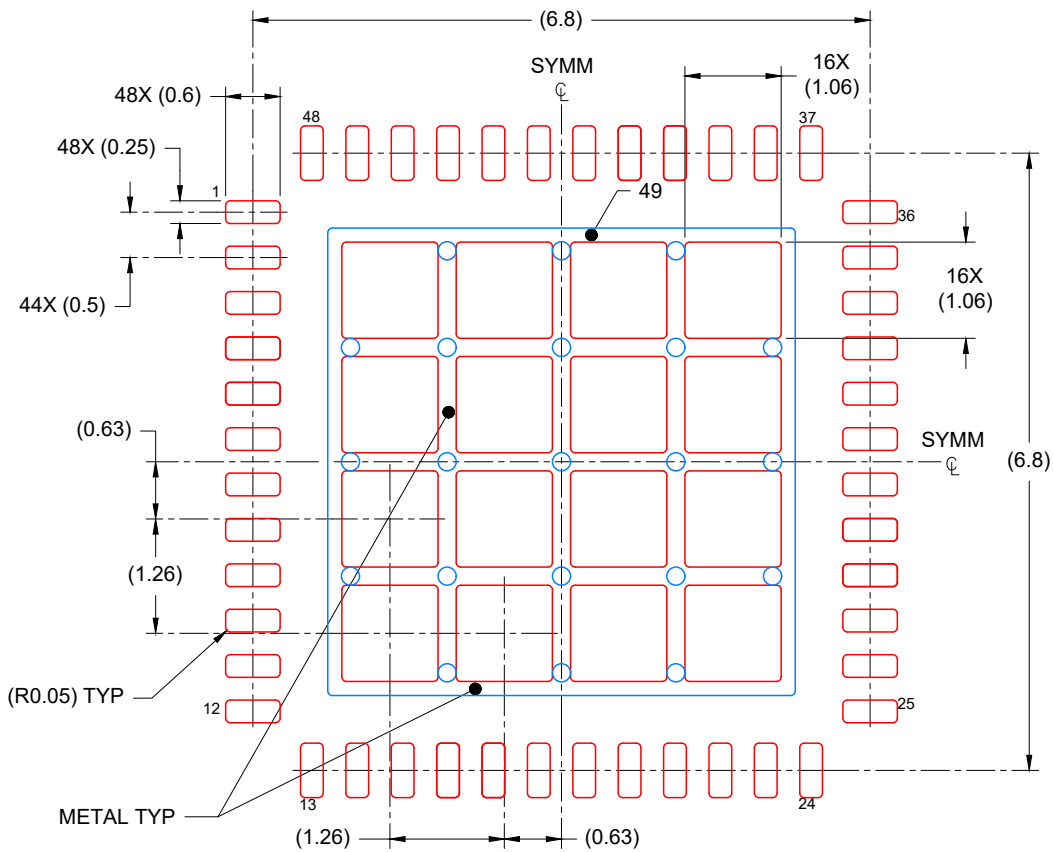


# EXAMPLE STENCIL DESIGN

RGZ0048R

VQFN - 1 mm max height

PLASTIC QUAD FLATPACK-NO LEAD



SOLDER PASTE EXAMPLE  
BASED ON 0.125 mm THICK STENCIL

EXPOSED PAD  
67% PRINTED COVERAGE BY AREA  
SCALE: 12X

4226144/A 08/2020

NOTES: (continued)

6. Laser cutting apertures with trapezoidal walls and rounded corners may offer better paste release. IPC-7525 may have alternate design recommendations.

## IMPORTANT NOTICE AND DISCLAIMER

TI PROVIDES TECHNICAL AND RELIABILITY DATA (INCLUDING DATA SHEETS), DESIGN RESOURCES (INCLUDING REFERENCE DESIGNS), APPLICATION OR OTHER DESIGN ADVICE, WEB TOOLS, SAFETY INFORMATION, AND OTHER RESOURCES "AS IS" AND WITH ALL FAULTS, AND DISCLAIMS ALL WARRANTIES, EXPRESS AND IMPLIED, INCLUDING WITHOUT LIMITATION ANY IMPLIED WARRANTIES OF MERCHANTABILITY, FITNESS FOR A PARTICULAR PURPOSE OR NON-INFRINGEMENT OF THIRD PARTY INTELLECTUAL PROPERTY RIGHTS.

These resources are intended for skilled developers designing with TI products. You are solely responsible for (1) selecting the appropriate TI products for your application, (2) designing, validating and testing your application, and (3) ensuring your application meets applicable standards, and any other safety, security, regulatory or other requirements.

These resources are subject to change without notice. TI grants you permission to use these resources only for development of an application that uses the TI products described in the resource. Other reproduction and display of these resources is prohibited. No license is granted to any other TI intellectual property right or to any third party intellectual property right. TI disclaims responsibility for, and you will fully indemnify TI and its representatives against, any claims, damages, costs, losses, and liabilities arising out of your use of these resources.

TI's products are provided subject to [TI's Terms of Sale](#) or other applicable terms available either on [ti.com](https://www.ti.com) or provided in conjunction with such TI products. TI's provision of these resources does not expand or otherwise alter TI's applicable warranties or warranty disclaimers for TI products.

TI objects to and rejects any additional or different terms you may have proposed.

Mailing Address: Texas Instruments, Post Office Box 655303, Dallas, Texas 75265  
Copyright © 2023, Texas Instruments Incorporated